

Long-distance magnetic contact IP 65 • Series 1005 N

- Compliant with and certification pending in accordance with EN50131-2-6
- Indoor or outdoor use
- Small dimensions
- Suitable for frames of any material
- Protection against violation
- Very long operation distance

Aluminium magnetic contact for surface mounting. It derives from series 1000-N High Security, and is suitable for any surface installation.

It keeps its ingress protection IP 65 and maintains nice beauty with high operating distance.

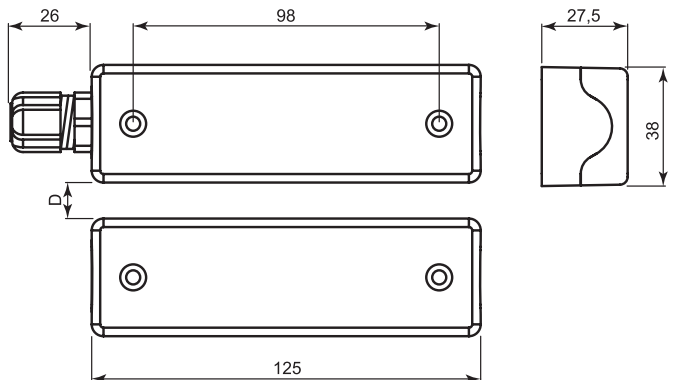
The terminal block connection makes installation easier



avoiding the addition of junction boxes and its cap with umbrella structure detects any type of mechanical violation. Available version 1035-N with remote test facility. Supplied with plastic cable gland M16 and tamper for cap removing detection.

General specifications

Housing material	Metal annealed epoxy white painting
Operation	Reed contact with NC output with near magnet
Type of connection	By terminals (1,5 sq mm)
Operating temperature	-25°C ÷ +70°C
IP Degree	IP 65
Standard equipment	Mounting template, IP 65 cable glands
Packaging	1 pc. / package



Order codes

Code	D max (no iron)	D max (on iron)	Connection type	Max voltage	Max current	Max power	Safety grade	Environmental class	Package weight	Notess
1005-N	63 mm	40 mm	NC*	100 Vdc	500 mA	10 W	2	4	0,65 Kg	
1035-N	63 mm	40 mm	NC*	100 Vdc	500 mA	10 W	2	4	0,65 Kg	Tear-off protection for reed and magnet with connection for remote testing

The "Safety grade" and "Environmental Class" are two new classifications introduced by the EN50131 regulation, for further information see on page 66.

D max: maximum installation distance

* With near magnet

The indicated maximum voltage data refer to the reed bulbs inside the contacts. However the product must be used within the very low voltage limits (max. voltage 74 Vdc - 49 Vac).

Accessories available (see page 28)

AG-10 | Black PVC-coated steel sheath - 10 m