



ATD
ATEX & IECEx RFID SERIES

ATEX & IECEx UHF READER

IDENTIFICATION IN EXPLOSIVE ENVIRONMENTS



Available in remote antenna version

BENEFITS

- Reader with built-in ATEX & IECEx-certified antenna
- Adjustable read range of up to 4 m*
- Reader configuration via UHF badge or USB cable



Supported by
SIA



Supported by
SPAC
Smart Physical Access Control



UHF
865 - 868 MHz /
902 - 928 MHz



RESISTANCE
EQ IP66



IK10

The ATX UHF is a reader with a built-in high performance ATEX and IECEx-certified antenna for all your vehicle or driver identification requirements in explosive environments.

THE SIMPLE SOLUTION FOR ENHANCED ACCESS

The ATX UHF reader boasts the highest levels of security, signing your UHF credentials with ease and complete autonomy using encryption methods that are recognized and recommended by independent bodies specialized in information security (ANSSI - French National Cybersecurity Agency).

High-performance identification - up to 4 m / 13.1 ft* - ensures comfort and reliability for hassle-free vehicle access.

OPEN TECHNOLOGY FOR EASY INTEGRATION

The reader is compatible with all access control systems on the market, and accommodates multiple interfaces (Wiegand, Clock&Data, TCP-IP, RS485, RS232) and communication protocols (OSDP™ v1 & v2, SSCP®).

PASSIVE RFID TECHNOLOGY

The ATX UHF reader supports all types of passive UHF credentials (without batteries).

With their high performance, they ensure:

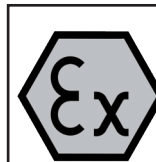
- a virtually unlimited life span,
- controlled investment, costing three to five times less than active technologies,
- the elimination of maintenance costs.

ATEX & IECEx-CERTIFIED READER

Fitted with an Ex II 2 GD IP66 explosion-proof enclosure, the ATX UHF reader is certified ATEX (EN60079) & IECEx and complies with both European Directives 99/92/EC and 94/9/EC.

It enhances vehicle access control to high security areas in:

- the chemical and petrochemical industries,
- oil and gas refineries,
- nuclear power plants,
- mines,
- gas-filling areas.



Marking

EC-type examination certificate:
INERIS 13 ATEX 0021X
Approved type: GUB Ex II 2 GD
(G: Gas / D: Dust)
II 2G Ex db IIC T6
II 2D Ex tb IIIC T85°C IP66

DESIGNED & MADE IN FRANCE

WE'VE GOT YOUR BACK

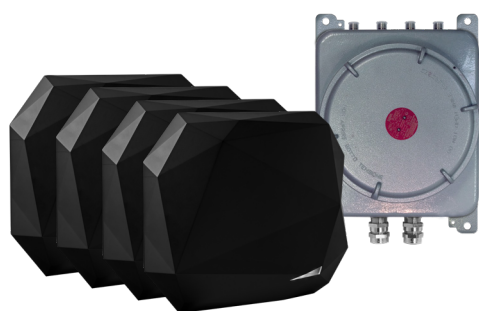


* See the legal notices on the back.

SPECIFICATIONS

Operating frequency/standards	UHF - 2 versions: - 865 - 868 MHz: 866 MHz ETSI (Europe), Morocco (Regulation n°ANRT/DC/n°7-10), etc. - 902 - 928 MHz: 915 MHz FCC Part 15 (USA), Australia, New Zealand, etc.														
Chip compatibility	EPC1 Gen 2 / ISO18000-63														
Functions	Standard or encrypted/signed EPC read only / Read-write														
Antenna	Integrated														
RF power	Up to +30,5 dBm														
Reading distances*	Up to 4 m / 13.1 ft with STid ETA passive label <i>The reading distance may vary depending on the type of vehicle, the installation conditions and the local regulations.</i>														
Communication interfaces	- Standard TTL output: Wiegand protocol or ISO2 (Data Clock) - RS232 with SSCP® communication protocol - RS485 with SSCP®, OSDP™ V1 (unencrypted communication) and V2 (SCP secure communication) communication protocols - TCP-IP with SSCP® communication protocol														
Inputs / Outputs (I/O)	4 inputs (to manage the reader activation, ground loop, presence sensor...) / 4 outputs (to external traffic lights control...)														
Power requirement	Typical 1.2 A / 12 VDC - Max. 1.5 A / 12 VDC														
Power supply	9 VDC to 36 VDC (12 VDC typical) or PoE (PoE activated by SSCP® command) depending on version														
Connectors	Plug-in terminal board / 2 PE PAP-RO M20 cable seals for ext. shielded cables 10-19 mm / 0.4-0.7"														
Material	Stainless-steel and aluminum alloy, RAL 9006 gray epoxy														
Dimensions (h x w x d) / Weight	310 x 270 x 174 mm / 12.2" x 10.6" x 6.8" - 13.5 kg / 458.5 oz														
Operating temperatures	- 20°C to + 50°C / - 4°F to 122°F														
Storage temperatures	- 40°C to + 65°C / - 40°F to + 149°F														
Resistance	Ex II 2 GD IP66 explosion-proof enclosure - Resistant to explosions, adverse weather conditions, water and dust IK10 / IEC 60068-2-6 / MIL-STD-810 vandal-resistant reinforced structure														
Mounting	4 mounting brackets on the enclosure Compatible with universal VESA 200 x 200 mounting kits (requires a mounting accessory)														
Certifications	CE, FCC & UL ATEX (EN60079) & IECEX														
Part numbers x: versions = 4 - 865 - 868 MHz 5 - 902 - 928 MHz	<table border="0"> <tr> <td>Read only TTL</td> <td>.....ATX-Rx1-A/U04-xx/3</td> </tr> <tr> <td>Read only RS232</td> <td>.....ATX-Rx2-A/U04-5AB/3</td> </tr> <tr> <td>Read only RS485</td> <td>.....ATX-Rx3-A/U04-7AB/3</td> </tr> <tr> <td>Read write SSCP® RS232</td> <td>.....ATX-Wx2-A/U04-5AA/3</td> </tr> <tr> <td>Read write SSCP® RS485</td> <td>.....ATX-Wx3-A/U04-7AA/3</td> </tr> <tr> <td>Read write OSDP™ RS485</td> <td>.....ATX-Wx3-A/U04-7OS/3</td> </tr> <tr> <td>Read write SSCP® TCP-IP PoE</td> <td>.....ATX-Wx4-A/U04-8AA/3</td> </tr> </table>	Read only TTLATX-Rx1-A/U04-xx/3	Read only RS232ATX-Rx2-A/U04-5AB/3	Read only RS485ATX-Rx3-A/U04-7AB/3	Read write SSCP® RS232ATX-Wx2-A/U04-5AA/3	Read write SSCP® RS485ATX-Wx3-A/U04-7AA/3	Read write OSDP™ RS485ATX-Wx3-A/U04-7OS/3	Read write SSCP® TCP-IP PoEATX-Wx4-A/U04-8AA/3
Read only TTLATX-Rx1-A/U04-xx/3														
Read only RS232ATX-Rx2-A/U04-5AB/3														
Read only RS485ATX-Rx3-A/U04-7AB/3														
Read write SSCP® RS232ATX-Wx2-A/U04-5AA/3														
Read write SSCP® RS485ATX-Wx3-A/U04-7AA/3														
Read write OSDP™ RS485ATX-Wx3-A/U04-7OS/3														
Read write SSCP® TCP-IP PoEATX-Wx4-A/U04-8AA/3														

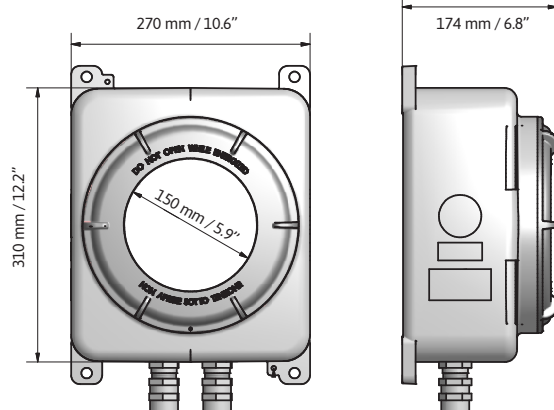
RANGE OF ATEX & IECEX UHF READERS



UHF reader with multiple remote antennas - ATX4



UHF mobile terminal - TATX



*Please note: Communication distances are measured to the center of the antenna. They depend on the vehicle position, antenna configuration, reader installation environment, supply voltage and local regulations. External interference can reduce the reading distances. The reading performance depends on the position of the tag and the type of windshield. Athermic windshields can affect reading performance. Positioning the tag in an uncoated area is essential.

Legal: STid is a registered trademark of STid SAS. All the brands mentioned in this document belong to their respective owners. All rights reserved – This document is the property of STid. STid reserves the right to make changes to this document and to cease marketing its products and services at any time and without notice. The photos are not contractually binding.

Headquarters / EMEA

13850 Créasque, France
Tel.: +33 (0)4 42 12 60 60

PARIS-IDF Office

92290 Châtenay-Malabry, France
Tel.: +33 (0)1 43 50 11 43

STid UK Ltd.

Gallows Hill, Warwick CV34 6UW, UK
Tel.: +44 (0) 192 621 7884

NORTH AMERICA Office

Irving, Texas 75063-2670, USA
Tel.: +1 469 524 3442

LATINO AMERICA Office

San Rafael 06470, CDMX, México
Tel.: +521 (55) 5256 4706