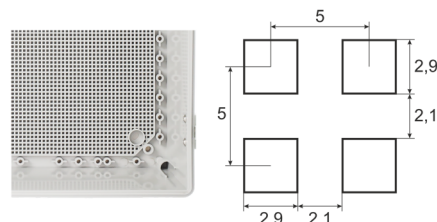
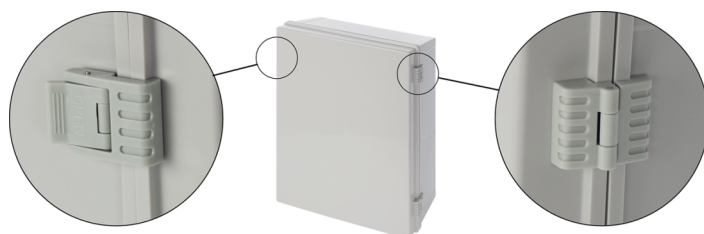


Code: **AWB504020** v.1.0 / 1
Name: **ABS Enclosure 500x400x200, waterproof with plastic hinges closing and base board**

EN



DESTINATION

The AWB series enclosures are designed to protect electronic and electrical devices from water, dust, and mechanical damage.

The AWB series enclosures are made of ABS with an IP66. They are equipped with a mounting plate featuring square perforations for easy installation of devices and flexible arrangement of components inside the enclosure. With their durable construction, they ensure the safety and reliable operation of mounted components.

Hermetic enclosures are available with different sizes. They are designed for a variety of applications in many industries, including:

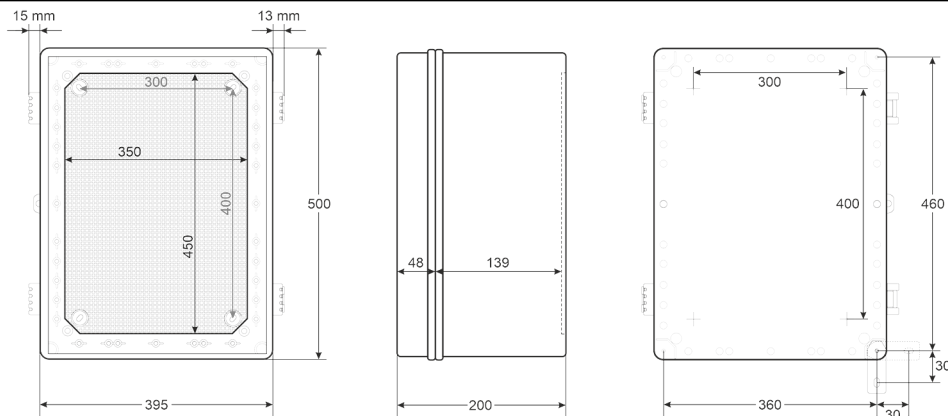
- security systems - for protecting alarm devices, access control or CCTV monitoring
- industrial automation - for the protection of control and executive devices
- telecommunication installations - to protect telecommunication devices
- electrical installations - protection of electrical equipment (electrical switchboards)

TECHNICAL DATA

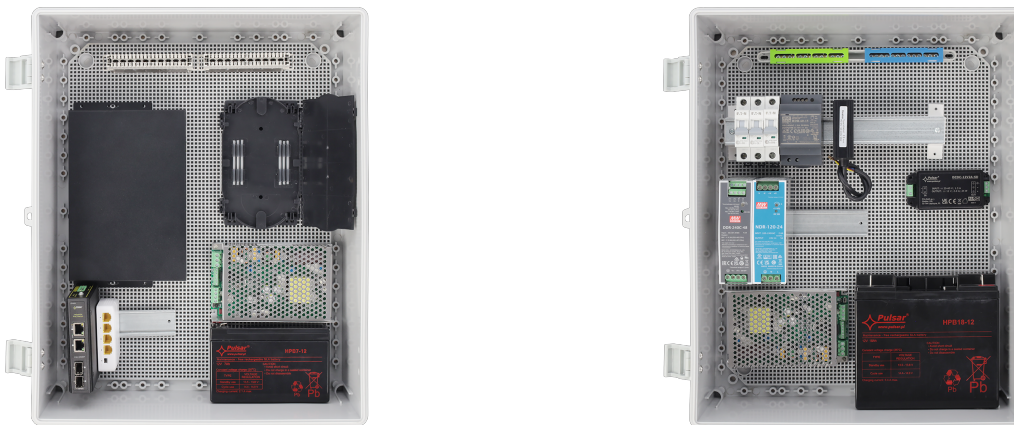
Dimensions:	395 x 500 x 200 [mm, +/-2]
Mounting plate:	350 x 450 [mm, +/-2] integrated mounting plate with square perforation
Closing:	plastic snap buckle - 2 pcs.
Material:	ABS plastic, light grey,
Destination:	indoor
Protection grade EN60529:	IP 66
Weight:	3.68 / 4.46 [kg]
Notes:	2 plastic hinges included 4 additional mounting brackets seal hole gasket is installed in the enclosure cover
Warranty:	2 years
Declaration:	CE



Dimensions:



Examples of application



Additional mounting adapters included



AWB series enclosures

Code	Dimensions WxHxD [+/-2mm]	Mounting plate dimensionsj W ₁ xH ₁ [+/-2mm]	Closing / Hinges	Mounting to the surface	Accessories: glands / Pole mounting bracket
AWB171711	177x177x103	160x160 removable	bolted 4 screws	direct	ML145/146/147
AWB281913	190x280x130	160x250 removable	bolted 4 screws	direct	ML145/146/147 / USH-1
AWB382813	280x380x130	250x350 removable	bolted 4 screws	direct	ML145/146/147 / USH-1
AWB403020	300x400x205	235x335 integrated	snap buckle - 2pcs hinges - 2pcs	direct / adapters - 4pcs	ML145/146/147 / USH-1
AWB504020	395x500x200	350x450 integrated	snap buckle - 2pcs hinges - 2pcs	direct / adapters - 4pcs	ML145/146/147
AWB604022	395x600x225	370x570 removable	snap buckle - 3pcs hinges - 3pcs	direct / adapters - 4pcs	ML145/146/147