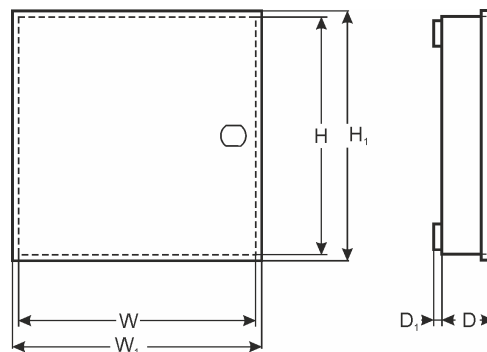


CODE: **AWO317 v1.0/III**  
 NAME: **17/LRS75/PS/LS enclosure**



### DESTINATION

#### RISCO:

- 1) RP432M LightSYS 2
- 2) RP512MA ProSYS Plus
- 3) RP432EZ8 for 5 pcs.
- 4) RP512EZ16 for 5 pcs.

### TECHNICAL DATA

<b>External dimensions of the enclosure:</b>	W=430, H=400, D+D1=90+8 [±2 mm]
<b>External dimensions of the front panel:</b>	W1=435, H1=405 [±2 mm]
<b>Net / gross weight:</b>	3,30kg / 3,70kg [±0,1kg]
<b>Space for battery:</b>	17Ah/12V Sealed Lead Acid (SLA)
<b>PSU:</b>	LRS-75-15
<b>Power supply:</b>	230V/AC (-15%/+10%), 50Hz, 0,85A (max.)
<b>Power supply output:</b>	U=14,4VDC
<b>Operating environment:</b>	class II, -10°C+ 40°C
<b>Material description:</b>	Sheet steel DC01, Thickness: 0,7mm, Protection anticorrosion, Color: RAL9003
<b>Destination:</b>	indoor
<b>Tamper protection:</b>	1 x microswitch: opening, 0,5A@50V/DC max. NC
<b>Closing:</b>	screwed: screw x 4
<b>Notes:</b>	lock assembly possible, distance from the wall (mounting surface) – 8mm
<b>Declaration, warranty:</b>	CE, 2 year from the production date