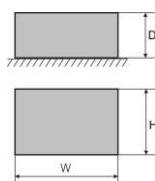
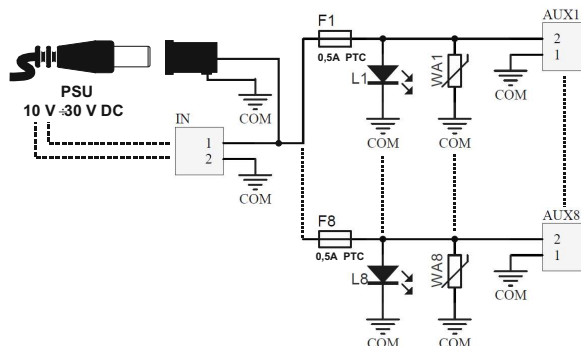


CODE: **AWZ578 v.1.0/III**  
NAME: **LB8/0,5A/PTC fuse module**

EN



**DESCRIPTION**

The fuse module is intended for dividing power in low-voltage alarm systems (power distribution) that require voltage within the range of: 10 V ÷ 30 V DC. It contains two power inputs: a screw connector and a DC 5,5/2,1 outlet and eight power outputs AUX1÷AUX8 which are independently secured with PTC 0,5A polymer fuse. An activation of the PTC fuse is indicated by an appropriate LED going out: L1 for AUX1, L2 for AUX2 etc. Additionally, each output is secured by a varistor which protects the PSU and the receivers against surges in the power circuit.

**SPECIFICATIONS**

<b>Supply voltage</b>	10 V ÷ 30 V DC
<b>Output voltage</b>	$U_{AUX} = U_{IN}$ (equal to supply voltage)
<b>Current consumption</b>	9 mA ÷ 60 mA @ $U_{IN} = 10 V \div 30 V DC$
<b>Number of power inputs</b>	2: a DC 5,5/2,1 outlet or a screw connector
<b>Number of power outputs</b>	8 (AUX terminals)
<b>Protections against:</b>	
- a short circuit SCP	- 8 x 0,5A PTC
- an overload OLP	- 8 x 0,5A PTC
- a surge	- varistors
<b>LED indication</b>	Green LEDs L1 ÷ L8 –AUX1÷AUX8 outputs status
<b>F1 ÷ F8 fuses</b>	8 x 0,5A PTC
<b>Operating conditions</b>	II environmental class, -10°C ÷ +50°C
<b>Dimensions</b>	124 x 43 x 21 (WxHxD)
<b>Fixing</b>	a mounting tape or dowel pins x2 (holes Ø3mm)
<b>Connectors:</b>	
- of power output	- screw connectors Ø0,41÷1,63 (AWG 26-14)
- of power input	- a DC 5,5/2,1 outlet or a screw connector Ø0,41÷1,63 (AWG 26-14)
<b>Net/gross weight</b>	0,051kg / 0,078kg
<b>Declarations, warranty</b>	CE, RoHS, 2 year from the production date