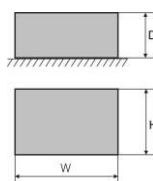
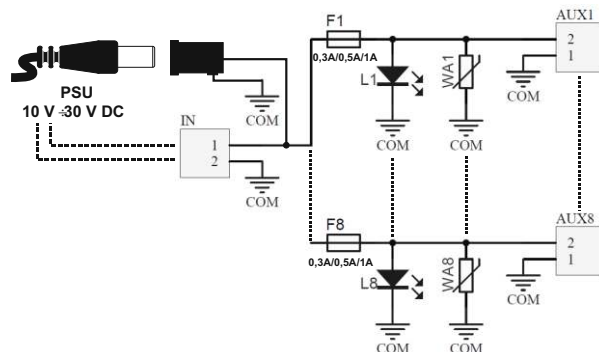


CODE: **AWZ580 v.1.0/III**
NAME: **LB8/0,3A-1/FTA fuse module**

EN



DESCRIPTION

The fuse module is intended for dividing power in low-voltage alarm systems (power distribution) that require voltage within the range of: 10 V ÷ 30 V DC. It contains two power inputs: a screw connector and a DC 5,5/2,1 outlet and eight power outputs AUX1÷AUX8 which are independently secured with 0,5A (0,3A et 1A) glass fuses. An activation of the fuse is indicated by an appropriate LED going out: L1 for AUX1, L2 for AUX2 etc. Additionally, each output is secured by a varistor which protects the PSU and the receivers against surges in the power circuit.

SPECIFICATIONS

Supply voltage	10 V ÷ 30 V DC
Output voltage	$U_{AUX} = U_{IN}$ (equal to supply voltage)
Current consumption	9 mA ÷ 60 mA @ $U_{IN} = 10 \text{ V} \div 30 \text{ V DC}$
Number of power inputs	2: a DC 5,5/2,1 outlet or a screw connector
Number of power outputs	8 (AUX terminals)
Protections against:	
- a short circuit SCP	- 8 x 0,5A (8x0,3A or 8x1A additional fuse kit)
- an overload OLP	- 8 x 0,5A (8x0,3A or 8x1A additional fuse kit)
- a surge	- varistors
LED indication	Green LEDs L1 ÷ L8 –AUX1÷AUX8 outputs status
F1 ÷ F8 fuses	8 x 0,5A (8x0,3A or 8x1A additional fuse kit)
Operating conditions	II environmental class, -10°C ÷ 50°C
Dimensions	124 x 43 x 21 (WxHxD)
Fixing	a mounting tape or dowel pins x2 (holes Ø3mm)
Connectors:	
- of power output	- screw connectors $\Phi 0,41 \div 1,63$ (AWG 26-14)
- of power input	- a DC 5,5/2,1 outlet or a screw connector $\Phi 0,41 \div 1,63$ (AWG 26-14)
Net/gross weight	0,086kg / 0,113kg
Enclosure	n/a, "open frame", IP00
Declarations, warranty	CE, RoHS, 2 year from the production date