

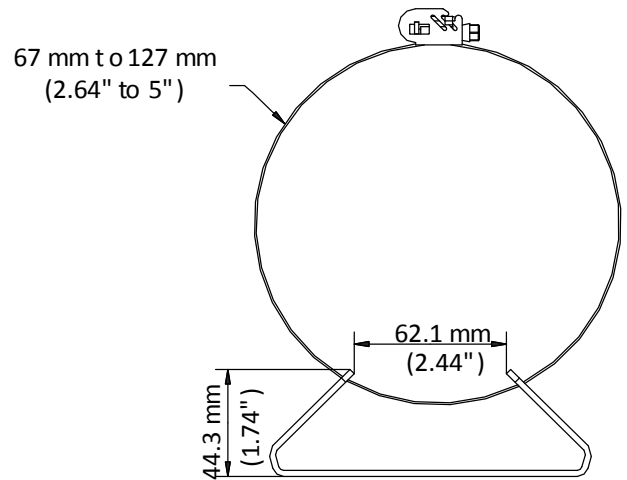
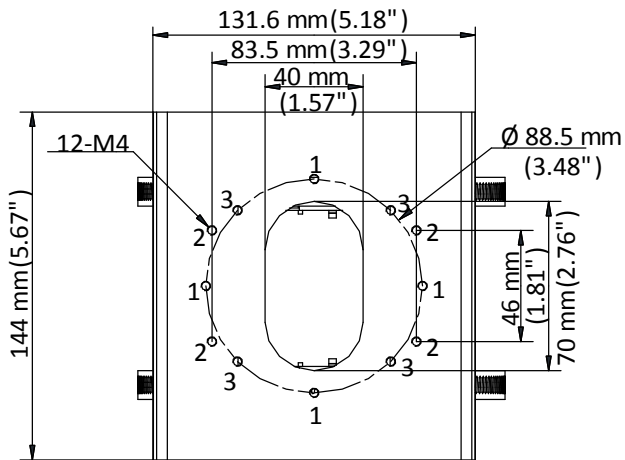
## DS-1275ZJ-S-SUS

### Vertical Pole Mount

#### Features

- Stainless steel with surface spray treatment
- Stainless steel ensures the reliable structure
- Adjustable diameter from 67 mm to 127 mm (2.64" to 5")

#### Dimension



#### Available Model

DS-1275ZJ-S-SUS

#### Parameter

Model	DS-1275ZJ-S-SUS
Parameters	Vertical Pole Mount
Appearance	White
Material	Stainless Steel
Dimension	144 mm × 131.6 mm × 44.3 mm (5.67" × 5.18" × 1.74")
Weight	760 g (1.68 lb.)

#### Notes

- The mount should be installed on the flat surface.
- Waterproof rubber is necessary for outdoor application.
- The pole must be capable of supporting at least 3 times as much as the total weight of the camera, and the mount.
- The maximum load capacity of the mount is 10 kg (22 lb.).