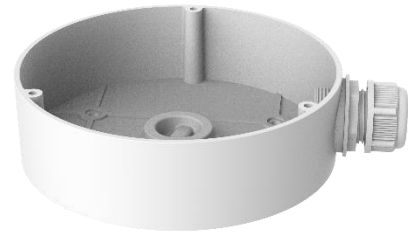


DS-1280ZJ-DM45

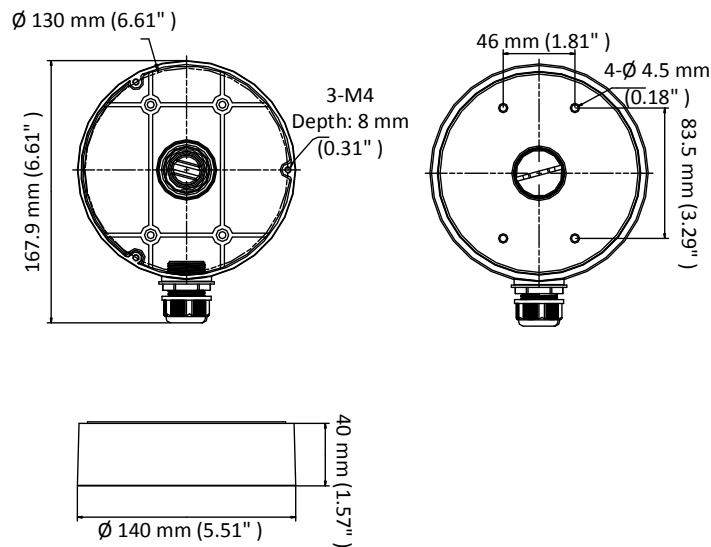
Junction Box



Features

- Aluminum alloy with surface spray treatment
- Side inlet, and bottom inlet
- Interchangeable bottom waterproof cover, and side gland nut
- Applies to both indoor conditions, and outdoor conditions

Dimension



Available Model

DS-1280ZJ-DM45

Parameter

Model	DS-1280ZJ-DM45
Parameters	Junction Box
Appearance	Hikvision White
Material	Aluminum Alloy
Dimension	Φ 140 mm × 40 mm (5.51" × 1.57")
Weight	Approx.: 237 g (0.52 lb.)

Notes

- The junction box should be installed on the flat surface.
- The waterproof rubber is necessary for the outdoor application.
- The wall must be capable of supporting at least 3 times as much as the total weight of the camera, and the junction box.
- The maximum load capacity of the junction box is 3 kg (6.6 lb.).