

## DS-2TD2138-35/QY

### Anti-corrosion Thermal Network Bullet Camera



Hikvision DS-2TD2138-35/QY Anti-corrosion Thermal Network Bullet Camera is applied to perimeter protection and fire-prevention purposes in critical infrastructures such as airport, railway, prison, power station, and 4S stores. With the vanadium oxide uncooled focal plane sensor, it enhances the thermal image quality. It adopts anti-corrosion coating to meet the requirements of used in anti-corrosion environment.

#### Key Feature

- 384 × 288 resolution, 12 μm, VOx UFPA, NETD < 35 mK (25°C, F1.0)
- Temperature exception alarm for fire prevention, -20°C to 150°C (-4°F to 302°F), ± 8°C (± 14.4°F)
- Image processing technology: linear, histogram, self-adaptive thermal AGC mode, DDE, 3D DNR
- High quality detector with 10 years guarantee

## ▪ Specification

| Thermal Module          |  |
|-------------------------|--|
| Image Sensor            | Vanadium Oxide Uncooled Focal Plane Arrays   |
| Resolution              | 384 × 288  |
| Pixel Pitch             | 12 μm  |
| Spectral Range          | 8 μm to 14 μm  |
| NETD                    | < 35 mK (25°C, F1.0)   |
| Focal Length            | 35 mm  |
| IFOV                    | 0.34 mrad  |
| Field of View           | 7.5° × 5.6° (H × V)  |
| Min. Focusing Distance  | 34 m   |
| Aperture                | F1.0   |
| Digital Zoom            | 2×, 4×, 8×   |
| Image Effect            |  |
| Target Coloration       | Yes. Supported in white hot and black hot mode.  |
| Smart Function          |  |
| VCA                     | 4 VCA rule types (line crossing, intrusion, region entrance, and region exiting), up to 8 VCA rules in total   |
| Temperature Measurement | 3 temperature measurement rule types, 21 rules in total (10 points, 10 areas, and 1 line)  |
| Temperature Range       | -20°C to 150°C (-4°F to 302°F)   |
| Temperature Accuracy    | ± 8°C (± 14.4°F)   |
| Video and Audio         |  |
| Main Stream             | 25 fps (1280 × 720, 704 × 576, 640 × 512, 352 × 288)   |
| Sub-stream              | 25 fps (704 × 576, 640 × 512, 352 × 288)   |
| Third Stream            | 25 fps (1280 × 720, 704 × 576, 640 × 512, 352 × 288)   |
| Video Compression       | Main Stream: H.265/H.264<br>Sub-Stream: H.265/H.264/MJPEG<br>Third Stream: H.265/H.264/MJPEG   |
| Audio Compression       | G.722.1/G.711ulaw/G.711alaw/MP2L2/G.726/PCM  |
| Network                 |  |
| Protocols               | IPv4/IPv6, HTTP, HTTPS, 802.1x, QoS, FTP, SMTP, UPnP, SNMP, DNS, DDNS, NTP, RTSP, RTCP, RTP, TCP, UDP, IGMP, ICMP, DHCP, PPPoE, SRTP, SFTP, SSL          |
| API                     | ISAPI, HIKVISION SDK, and third-party management platform, Open Network Video Interface (Profile S, Profile G)   |
| Security                | User authentication (ID and password), MAC address binding, HTTPS encryption, IEEE 802.1x (EAP-MD5, EAP-TLS), access control, IP address filtering       |
| Simultaneous Live View  | Up to 20 channels  |
| Client                  | iVMS-4200, Hik-Connect   |
| Web Browser             | Live view (plug-in allowed): Internet Explorer 11<br>Live view (plug-in free): Chrome 57.0+, Firefox 52.0+<br>Local service: Chrome 57.0+, Firefox 52.0+ |
| Network Storage         | MicroSD/SDHC/SDXC card (up to 256 GB) local storage, and NAS (NFS, SMB/CIFS), auto network replenishment (ANR)   |
| User/Host level         | Up to 32 users, 3 levels: Administrator, Operator, User  |

| Interface                    |  |
|------------------------------|--|
| Analog Output                | 1.0 V [p-p]/75Ω, PAL/NTSC/BNC  |
| Alarm Input                  | 2, alarm input (0 to 5 VDC)  |
| Alarm Output                 | 2, alarm output (alarm response actions configurable)  |
| Alarm Action                 | SD recording/Relay output/Smart capture/FTP upload/Email linkage   |
| Audio Input                  | 1, 3.5 mm Mic in/Line in interface<br>Line input: 2 to 2.4 V [p-p], output impedance: 1 KΩ ± 10%   |
| Audio Output                 | Linear level, impedance: 600 Ω   |
| Communication Interface      | 1, RJ45 10 M/100 M self-adaptive Ethernet interface<br>1, RS-485 interface (half duplex)   |
| General                      |  |
| Web Client Language          | 32 languages<br>English, Russian, Estonian, Bulgarian, Hungarian, Greek, German, Italian, Czech, Slovak, French, Polish, Dutch, Portuguese, Spanish, Romanian, Danish, Swedish, Norwegian, Finnish, Croatian, Slovenian, Serbian, Turkish, Korean, Traditional Chinese, Thai, Vietnamese, Japanese, Latvian, Lithuanian, Portuguese (Brazil) |
| Power Supply                 | 24 VAC ± 25%, 12 VDC ± 25%, two-core terminal block<br>PoE (802.3af, class 3)  |
| Power Consumption            | 24 VAC ± 25%: 0.13 A to 0.22 A, Max. 5 W<br>12 VDC ± 25%: 0.37 A to 0.61 A, Max. 5 W<br>PoE (802.3af, class 3): 44 V to 57 V: 0.1 A to 0.13 A, Max. 5.5 W  |
| Working Temperature/Humidity | Temperature: -40°C to 65°C (-40°F to 149°F)<br>Humidity: 90% or less   |
| Protection Level             | IP67 Standard<br>TVS 6000V lightning protection, surge protection, voltage transient protection, IK10-rated housing  |
| Dimensions                   | 351.3 mm × 113.5 mm × 115.2 mm (13.83" × 4.47" × 4.53")  |
| Weight                       | Approx. 1.77 kg (3.90 lb)  |

## DRI Range Table

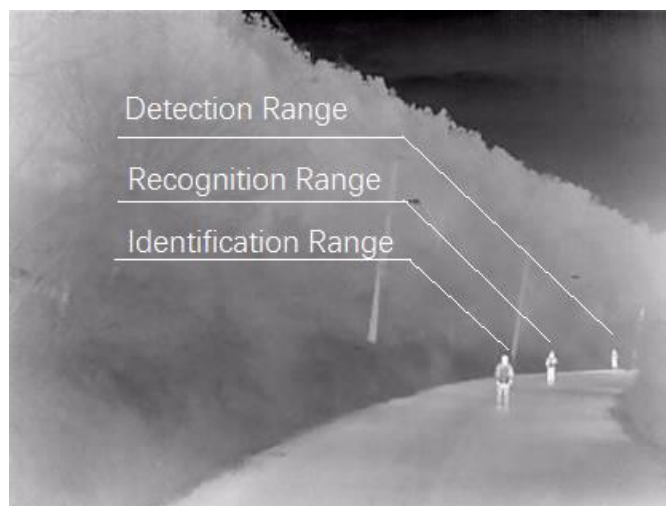
\* The table is only for reference and the performance may vary according to different environment.

\* The optimal detection, recognition, and identification distances are calculated according to Johnson's Criteria.

Detection Range: In order to distinguish an object from the background, the object must be covered by 1.5 or more pixels.

Recognition Range: In order to classify the object (animal, human, vehicle, etc.), the object must be covered by 6 or more pixels.

Identification Range: In order to identify the object and describe it in details, the object must be covered by 12 or more pixels.



| Detection Range<br>(Vehicles: 1.4 × 4.0 m) | Detection Range<br>(Humans: 1.8 × 0.5 m) | Recognition Range (Vehicles: 1.4 × 4.0 m) | Recognition Range (Humans: 1.8 × 0.5 m) | Identification Range (Vehicles: 1.4 × 4.0 m) | Identification Range (Humans: 1.8 × 0.5 m) |
|--|--|---|---|--|--|
| 4472 m                                     | 1458 m                                   | 1118 m                                    | 365 m                                   | 559 m  | 182 m                                      |

## Smart Function Table

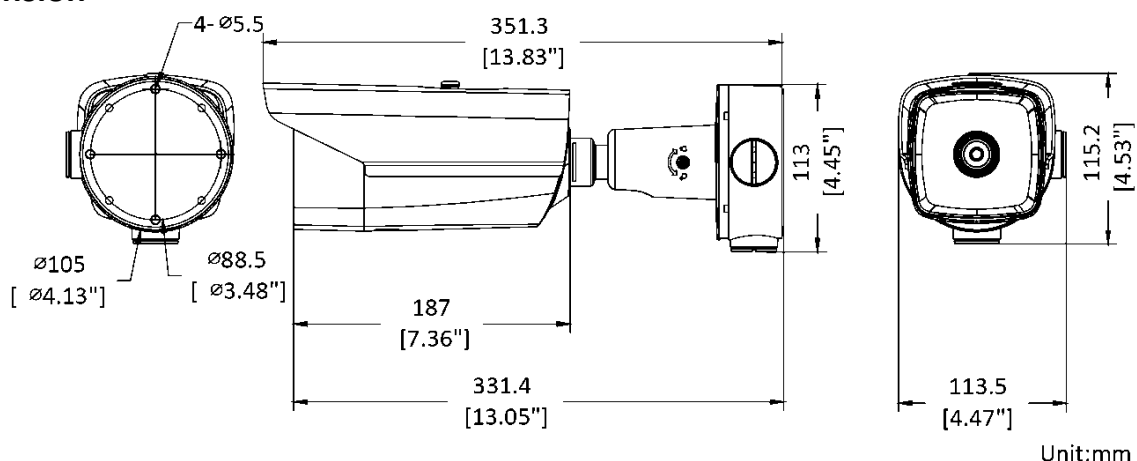
\* The table is only for reference and the performance may vary according to different environment.

| VCA Range<br>(Vehicles: 1.4 × 4.0 m) | VCA Range<br>(Humans: 1.8 × 0.5 m) | Temperature Measurement<br>(Object: 1 × 1 m) | Temperature Measurement<br>(Object: 0.2 × 0.2 m) | Fire Detection (Object: 0.2 × 0.2 m) |
|--------------------------------------|------------------------------------|--|--|--------------------------------------|
| 1050 m                               | 350 m                              | 525 m  | 105 m  | 420 m                                |

### ▪ Available Model

DS-2TD2138-35/QY

▪ Dimension



▪ Accessory

▪ Included



DS-1260ZJ-AC#SA  
Junction box

▪ Optional



DS-1276ZJ-SUS  
Corner Mount



DS-1275ZJ-S-SUS  
Vertical Pole Mount

COMPLIANCE NOTICE: The thermal series products might be subject to export controls in various countries or regions, including without limitation, the United States, European Union, United Kingdom and/or other member countries of the Wassenaar Arrangement. Please consult your professional legal or compliance expert or local government authorities for any necessary export license requirements if you intend to transfer, export, re-export the thermal series products between different countries.

**Headquarters**

No.555 Qianmo Road, Binjiang District,  
Hangzhou 310051, China  
T +86-571-8807-5998  
www.hikvision.com



Follow us on social media to get the latest product and solution information.



Hikvision



HikvisionHQ



HikvisionHQ



Hikvision\_Global



Hikvision  
Corporate Channel



hikvisionhq