

## DS-2TD2628/QA Thermal & Optical Bi-spectrum Network Bullet Camera



Hikvision DS-2TD2628-XX/QA Thermal & Optical Bi-spectrum Network Bullet Camera supports video analysis for perimeter protection, and also temperature exception alarm for early fire prevention. With the deep learning algorithm, it can realize high precision VCA detection and real-time alarm. These camera series can be widely applied to villas, communities, parking lots, warehouses, construction sites, waste incineration plants, manufacturing workshops, etc.

### Key Feature

- 256 × 192 resolution, 12 μm, VOx UFPA, NETD < 40 mK (25°C, F1.0)
- Video content analysis: vehicle/human classification
- Temperature exception alarm for fire prevention, -20°C to 150°C (-4°F to 302°F), ± 8°C (± 14.4°F)
- Image processing technology: linear, histogram, self-adaptive thermal AGC mode, DDE, 3D DNR
- High quality detector with 10 years guarantee



## ▪ Specification

| Thermal Module           |   |
|--------------------------|---|
| Image Sensor             | Vanadium Oxide Uncooled Focal Plane Arrays  |
| Resolution               | 256 × 192   |
| Pixel Pitch              | 12 μm   |
| Spectral Range           | 8 μm to 14 μm   |
| NETD                     | < 40 mK (25°C, F1.0)  |
| Focal Length             | DS-2TD2628-3/QA: 3.6 mm<br>DS-2TD2628-7/QA: 6.9 mm<br>DS-2TD2628-10/QA: 9.7 mm  |
| IFOV                     | DS-2TD2628-3/QA: 3.33 mrad<br>DS-2TD2628-7/QA: 1.74 mrad<br>DS-2TD2628-10/QA: 1.24 mrad   |
| Field of View            | DS-2TD2628-3/QA: 50.0°(H) × 37.3° (V)<br>DS-2TD2628-7/QA: 24.9°(H) × 18.7° (V)<br>DS-2TD2628-10/QA: 18.0°(H) × 13.5° (V)  |
| Min. Focusing Distance   | DS-2TD2628-3/QA: 0.5 m<br>DS-2TD2628-7/QA: 1.3 m<br>DS-2TD2628-10/QA: 3.5 m   |
| Aperture                 | F1.0  |
| Digital Zoom             | ×2, ×4  |
| Optical Module           |   |
| Image Sensor             | 1/2.7" Progressive Scan CMOS  |
| Resolution               | 2688 × 1520   |
| Min. Illumination        | Color: 0.0176 Lux @ (F2.25, AGC ON), B/W: 0.0035 Lux @ (F2.25, AGC ON)  |
| Shutter Speed            | 1 s to 1/100,000 s  |
| Focal Length             | DS-2TD2628-3/QA: 4.3 mm<br>DS-2TD2628-7/QA: 6.4 mm<br>DS-2TD2628-10/QA: 8 mm  |
| Field of View            | DS-2TD2628-3/QA: 84.0° (H) × 43.1° (V)<br>DS-2TD2628-7/QA: 53.0° (H) × 28.0° (V)<br>DS-2TD2628-10/QA: 39.4° (H) × 22.1° (V)   |
| Aperture (Range)         | F1.6  |
| WDR                      | 120 dB  |
| Image Effect             |   |
| Target Coloration        | Yes. Supported in white hot and black hot mode.   |
| Illuminator              |   |
| IR Distance              | Up to 30 m  |
| IR Intensity and Angle   | Automatically adjusted  |
| Audible and Visual Alarm |   |
| White Light Range        | Up to 30 m  |
| Visual Alarm             | Yes. White light alarm with adjustable flashing frequencies   |
| Audio alarm              | Yes, for two types of audible alarm (VCA and Temperature Exception)<br>2 preset voice alerts (one for each)<br>6 importable user-defined voice alerts (6 options shared in the two types) |

| Smart Function          |   |
|-------------------------|---|
| VCA                     | 4 VCA rule types (line crossing, intrusion, region entrance, and region exiting), up to 8 VCA rules in total.   |
| Temperature Measurement | 3 temperature measurement rule types, 21 rules in total (10 points, 10 areas, and 1 line)   |
| Temperature Range       | -20°C to 150°C (-4°F to 302°F)  |
| Temperature Accuracy    | ± 8°C (± 14.4°F)  |
| Video and Audio         |   |
| Main Stream             | Thermal:<br>25 fps (1280 × 720, 704 × 576, 640 × 512, 320 × 240)<br>Optical:<br>50 Hz: 25 fps (2688 × 1520, 1920 × 1080, 1280 × 720)<br>60Hz: 30 fps (2688 × 1520, 1920 × 1080, 1280 × 720) |
| Sub-stream              | Thermal:<br>25 fps (704 × 576, 640 × 512, 320 × 240)<br>Optical:<br>50 Hz: 25 fps (704 × 576, 352 × 288)<br>60 Hz: 30 fps (704 × 480, 352 × 240)  |
| Video Compression       | Main Stream: H.265/H.264<br>Sub-Stream: H.265/H.264/MJPEG   |
| Audio Compression       | G.722.1/G.711ulaw/G.711alaw/MP2L2/G.726/PCM   |
| Network                 |   |
| Protocols               | IPv4/IPv6,HTTP,HTTPS,802.1x,Qos,FTP,SMTP,UPnP,SNMP,DNS,DDNS,NTP,RTSP,RTCP, RTP,TCP,UDP,IGMP,ICMP,DHCP,PPPoE,Bonjour,SFTP,SRTP   |
| Network Storage         | MicroSD/SDHC/SDXC card (up to 256 G) local storage, NAS (NFS, SMB/CIFS), Auto Network Replenishment (ANR)   |
| API                     | ISAPI, HIKVISION SDK, and third-party management platform, Open Network Video Interface (Profile S, Profile G)  |
| Simultaneous Live View  | Up to 20 channels   |
| User/Host level         | Up to 32 users, 3 levels: Administrator, Operator, User   |
| Security                | User authentication (ID and Password), MAC address binding, HTTPS encryption, IEEE 802.1x(EAP-MD5, EAP-TLS), access control, IP address filtering   |
| Client                  | iVMS-4200, Hik-Connect  |
| Web Browser             | Live view (plug-in allowed) : Internet Explorer 11<br>Live view (plug-in free) : Chrome 57.0 +, Firefox 52.0 +<br>Local service : Chrome 57.0 +, Firefox 52.0 +                             |
| Interface               |   |
| Alarm Input             | 2, alarm input (0-5 VDC)  |
| Alarm Output            | 2, alarm output (alarm response actions configurable)   |
| Alarm Action            | SD recording/Relay output/Smart capture/FTP upload/Email linkage  |
| Audio Input             | 1, 3.5 mm Mic in/Line in interface<br>Line input: 2 to 2.4 V [p-p], output impedance: 1 KΩ ± 10%  |
| Audio Output            | Linear level, impedance: 600 Ω  |
| Communication Interface | 1, RJ45 10 M/100 M Self-adaptive Ethernet interface.<br>1, RS-485 interface (half duplex)   |

**General**

|                              |   |
|------------------------------|---|
| Web Client Language          | 32 languages English, Russian, Estonian, Bulgarian, Hungarian, Greek, German, Italian, Czech, Slovak, French, Polish, Dutch, Portuguese, Spanish, Romanian, Danish, Swedish, Norwegian, Finnish, Croatian, Slovenian, Serbian, Turkish, Korean, Traditional Chinese, Thai, Vietnamese, Japanese, Latvian, Lithuanian, Portuguese (Brazil) |
| Power Supply                 | 12 VDC $\pm$ 25%, $\phi$ 5.5 mm coaxial power plug<br>PoE (802.3af, class 3)  |
| Power Consumption            | 12 VDC $\pm$ 25%: 0.5 A, Max. 6 W<br>PoE (802.3af, class 3): 42.5 V to 57 V, 0.14 A to 0.22 A, Max. 6.5 W   |
| Working Temperature/Humidity | Temperature: -40°C to 65°C (-40°F to 149°F)<br>Humidity: 95% or less  |
| Protection Level             | IP67 Standard<br>TVS 6000V lightning protection, surge protection, voltage transient protection   |
| Dimensions                   | 321.3 mm $\times$ 106.1 mm $\times$ 107.0 mm (12.65" $\times$ 4.18" $\times$ 4.21")   |
| Weight                       | 1550 g (3.41 lb)  |

## DRI Range Table

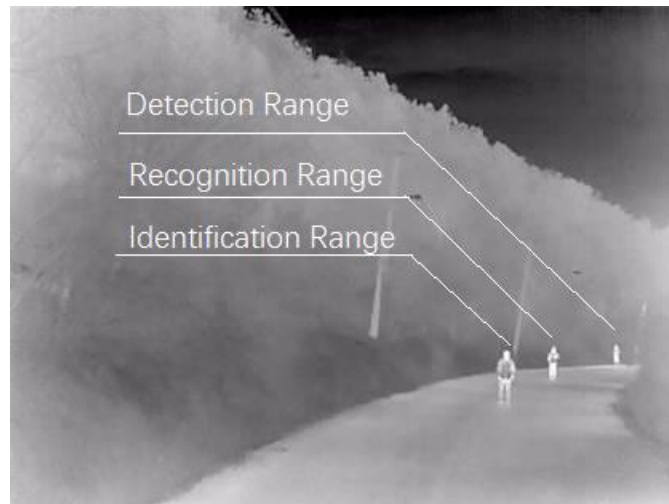
\* The table is only for reference and the performance may vary according to different environment.

\* The optimal detection, recognition, and identification distances are calculated according to Johnson's Criteria.

Detection Range: In order to distinguish an object from the background, the object must be covered by 1.5 or more pixels.

Recognition Range: In order to classify the object (animal, human, vehicle, etc.), the object must be covered by 6 or more pixels.

Identification Range: In order to identify the object and describe it in details, the object must be covered by 12 or more pixels.



| Model            | Detection Range<br>(Humans: 1.8 × 0.5 m) | Detection Range<br>(Vehicles: 1.4 × 4.0 m) | Recognition Range<br>(Humans: 1.8 × 0.5 m) | Recognition Range<br>(Vehicles: 1.4 × 4.0 m) | Identification Range<br>(Humans: 1.8 × 0.5 m) | Identification Range<br>(Vehicles: 1.4 × 4.0 m) |
|------------------|--|--|--|--|---|---|
| DS-2TD2628-3/QA  | 150 m                                    | 460 m                                      | 38 m                                       | 112 m  | 19 m  | 56 m  |
| DS-2TD2628-7/QA  | 287 m                                    | 881 m                                      | 72 m                                       | 220 m  | 36 m  | 110 m   |
| DS-2TD2628-10/QA | 404 m                                    | 1239 m                                     | 101 m                                      | 310 m  | 50 m  | 155 m   |

## Smart Function Table

\* The table is only for reference and the performance may vary according to different environment.

| Model            | VCA Range (Humans:<br>1.8 × 0.5 m) | VCA Range (Vehicles:<br>1.4 × 4.0 m) | Temperature<br>Measurement (Object:<br>1 × 1 m) | Temperature<br>Measurement<br>(Object: 0.2 × 0.2 m) |
|------------------|------------------------------------|--------------------------------------|---|---|
| DS-2TD2628-3/QA  | 28.8 m                             | 75.6 m                               | 58.3 m  | 11.7 m  |
| DS-2TD2628-7/QA  | 55.2 m                             | 144.9 m                              | 116.7 m   | 23.3 m  |
| DS-2TD2628-10/QA | 77.6 m                             | 203.7 m                              | 161.7 m   | 32.3 m  |

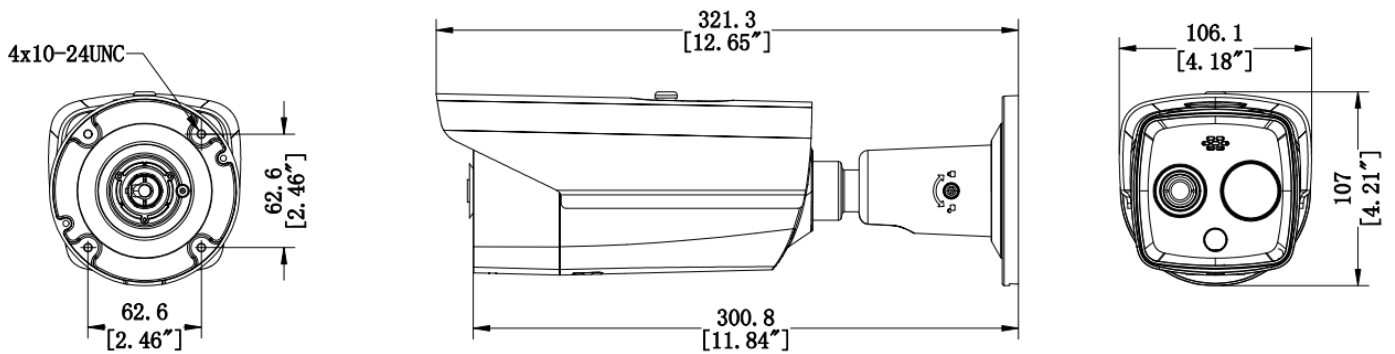
### ▪ Available Model

DS-2TD2628-3/QA

DS-2TD2628-7/QA

DS-2TD2628-10/QA

▪ **Dimension**



Unit: mm [Inch]

▪ **Accessory**

▪ **Included**



DS-1260ZJ  
Junction Box

▪ **Optional**



DS-1276ZJ-SUS  
Corner Mount



DS-1275ZJ-S-SUS  
Vertical Pole Mount

COMPLIANCE NOTICE: The thermal series products might be subject to export controls in various countries or regions, including without limitation, the United States, European Union, United Kingdom and/or other member countries of the Wassenaar Arrangement. Please consult your professional legal or compliance expert or local government authorities for any necessary export license requirements if you intend to transfer, export, re-export the thermal series products between different countries.

Distributed by

**HIKVISION®****Headquarters**

No.555 Qianmo Road, Binjiang District,  
Hangzhou 310051, China  
T +86-571-8807-5998  
overseasbusiness@hikvision.com

**Hikvision USA**  
T +1-909-895-0400  
sales.usa@hikvision.com

**Hikvision Australia**  
T +61-2-8599-4233  
salesau@hikvision.com

**Hikvision India**  
T +91-22-28469900  
sales@pramahikvision.com

**Hikvision Canada**  
T +1-866-200-6690  
sales.canada@hikvision.com

**Hikvision Thailand**  
T +662-275-9949  
sales.thailand@hikvision.com

**Hikvision Europe**  
T +31-23-5542770  
sales.eu@hikvision.com

**Hikvision Italy**  
T +39-0438-6902  
info.it@hikvision.com

**Hikvision Brazil**  
T +55 11 3318-0050  
Latam.support@hikvision.com

**Hikvision Turkey**  
T +90 (216)521 7070- 7074  
sales.tr@hikvision.com

**Hikvision Malaysia**  
T +601-7652-2413  
sales.my@hikvision.com

**Hikvision UK & Ireland**  
T +01628-902140  
sales.uk@hikvision.com

**Hikvision South Africa**  
Tel: +27 (10) 0351172  
sale.africa@hikvision.com

**Hikvision France**  
T +33(0)1-85-330-450  
info.fr@hikvision.com

**Hikvision Kazakhstan**  
T +7-727-9730667  
nikia.panfilov@hikvision.ru

**Hikvision Vietnam**  
T +84-974270888  
sales.vt@hikvision.com

**Hikvision UAE**  
T +971-4-4432090  
salesme@hikvision.com

**Hikvision Singapore**  
T +65-6684-4718  
sg@hikvision.com

**Hikvision Spain**  
T +34-91-737-16-55  
info.es@hikvision.com

**Hikvision Tashkent**  
T +99-87-1238-9438  
uzb@hikvision.ru

**Hikvision Hong Kong**  
T +852-2151-1761  
info.hk@hikvision.com

**Hikvision Russia**  
T +7-495-669-67-99  
saleru@hikvision.com

**Hikvision Korea**  
T +82-(0)31-731-8817  
sales.korea@hikvision.com

**Hikvision Poland**  
T +48-22-460-01-50  
info.pl@hikvision.com

**Hikvision Indonesia**  
T +62-21-2933759  
Sales.Indonesia@hikvision.com

**Hikvision Colombia**  
sales.colombia@hikvision.com