



# SPA-P100B

IP Pendant Speaker



## Key Features

- Amplifier: Built in 10W Class D
- Power: PoE(IEEE 802.3 af type 1 Class 3) , PoE+(IEEE 802.3 at type 2 Class 4)
- Internal memory: 1 GBytes
- Frequency Range (-10dB): 130Hz~20kHz
- Sensitivity (1Watt): 91dB
- Supported Protocols: IPv4, HTTP, SIP, mDNS, DNS, NTP, TCP, UDP, DHCP, ARP, ICMP
- TTS: English(US, UK), German, French, Spanish, Russian

# SPA-P100B

IP Pendant Speaker



## Specifications

<b>Product</b>	
Type	IP Pendant Speaker
<b>Amplifier</b>	
Description	Built in 10W Class D
<b>Network</b>	
Ethernet	10/100 Base-T
<b>Memory</b>	
Internal Memory	1 GBytes
External Memory (Micro SD)	SDHC upto 32GB (SANDISK)
<b>Contact</b>	
Contact Input. Dry contact	One channel
Contact Output. Dry contact (NO)	One channel
<b>General</b>	
Operating Temperature	-20 ~ +50°C (-4°F ~ +122°F)
Operating Humidity	10~85% RH (Non-Condensing)
Weight	2.1Kg
Size	Φ269*256(H)mm
Color	Black/White
Certificate	EMC : FCC Part 15 Subpart B, ICES-003 Safety : UL 62368-1, CAN/CSA 62368-1
<b>Power</b>	
PoE	PoE (IEEE 802.3 af type 1 Class 3)
PoE+	PoE+(IEEE 802.3 at type 2 Class 4)
<b>Embedded MIC</b>	
Input Sensitivity	Sound Level Meter
Frequency Response	Sound Level Meter
<b>Audio</b>	
Supported Audio Format	WAV, MP3 in mono/stereo from 64 kbps to 320 kbps. Sampling rate from 16 kHz up to 48 kHz

**SPA-P100B**

Speaker	
Speaker Component	2Way 8" LF Drive & 2" HF Driver. Passive type
Max. Sound Pressure Level (PoE)	97dB
Max. Sound Pressure Level (PoE+)	101dB
Frequency Range (-10dB)	130Hz~20kHz
Sensitivity (1Watt)	91dB
Coverage Pattern	(HxV) : 130°(1kHz) / 60°(4kHz)
Network Protocol	
Security	Password protection : admin,setup,user,guest (sha-2, Digest authentication, User access log) Digest authentication, User access log
Supported Protocols	IPv4, HTTP, SIP, mDNS, DNS, NTP, TCP, UDP, DHCP, ARP, ICMP
System Integration	
API (Application Programming Interface)	SUNAPI
Multi-source Dynamic PA control	Multi-source up to 48 (Multicast) (Audio 24CH + Mic 24CH) Up to 256 Zone Control (Multicast) Up to 20 Zone Control (Unicast) Up to 255 Groups
VoIP	Tested with SIP clients such as Grandstream, Yealink, Cisco, MicroSIP softphone and PBX supplier such as Asterisk Tested with SIP client such as Grandstream and PBX supplier such as Grandstream Supported SIP features: DTMF (RFC2833) Supported codecs: PCMU, PCMA, speex/8000, speex/16000
TTS	English(US, UK), German, French, Spanish, Russian
Audio Monitoring	Speaker test by graphic level meter (Built in test tool)
Event & Preset	Virtual Contact, Dry contact
Functional Monitoring	Connection verification, Built-in system logging

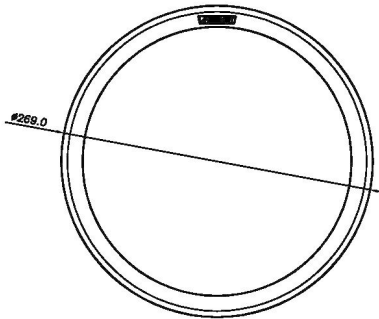
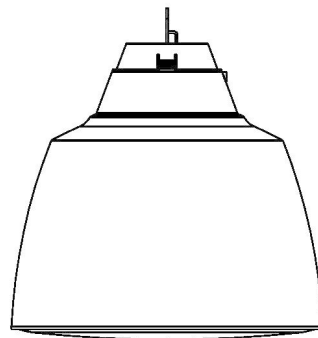
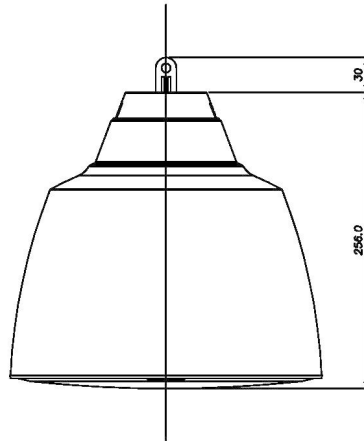
# SPA-P100B


IP Pendant Speaker



CAD

Unit:mm [inch]



3	MODEL2	
2	MODEL1	
1	SPA-P100BW	23.05.10
No.	MODEL NAME	DATE
Unit:mm[inch] SCALE: 1/1		 Hanwha Techwin

© Hanwha Techwin Co.,Ltd. All rights reserved.