



Network

PTZ

# XNP-6371RH

2M H.265 37x IR PTZ Camera



## Key Features

- Max. 2megapixel (1920 x 1080) resolution
- 6~ 222mm (Optical 37x) lens
- 0.01Lux@F1.5 (Color), 0Lux (B/W, IR LED on)
- Max. IR viewable length : 350m (1,148ft)
- Day & Night (ICR), WDR (150dB)
- DIS & Shock detection with built-in gyro sensor
- Intelligent Video / Audio Analytics, Defog
- H.265, H.264, MJPEG codec support
- Multiple streaming, WiseStream II support
- SD / SDHC / SDXC memory 1 slot (Up to 256 GB)
- IP66, IK10

\*Available in Hanwha Techwin Middle east and Africa Only - XNP-6371RH/KME

# XNP-6371RH

2M H.265 37x IR PTZ Camera



## Specifications

Video	
Imaging Device	1/2" 2MP CMOS
Resolution	1920x1080, 1280x1024, 1280x960, 1280x720, 1024x768, 800x600, 800x448, 720x576, 720x480, 640x480, 640x360, 320x240
Max. Framerate	H.265/H.264: Max. 60fps/50fps(60Hz/50Hz) MJPEG: Max. 30fps/25fps(60Hz/50Hz)
Min. Illumination	Color: 0.01Lux(F1.5, 1/30sec) BW: 0Lux(IR LED On)
Video Out	CVBS: 1.0 Vp-p / 75Ω composite, 720x480(N), 720x576(P) for installation
Lens	
Focal Length (Zoom Ratio)	6~222mm(37x) zoom
Max. Aperture Ratio	F1.5(Wide)~F4.6(Tele)
Angular Field of View	H: 59.3°(Wide)~1.90°(Tele) / V: 35.8°(Wide)~1.1°(Tele)
Min. Object Distance	Wide: 1.5m(4.92ft) / Tele: 2.0m(6.56ft)
Focus Control	AF / One-Shot AF / Manual
Lens Type	DC auto iris
Pan / Tilt / Rotate	
Pan Range	360° Endless
Pan Speed	Preset: 400°/sec, Manual: 0.024°/sec~250°/sec
Tilt Range	190°(-5°~185°)
Tilt Speed	Preset: 300°/sec, Manual: 0.024°/sec ~ 250°/sec
Sequence	Preset(300ea), Swing, Group(6ea), Trace, Tour, Auto Run, Schedule
Preset Accuracy	±0.2°
Operational	
Camera Title	Displayed up to 85 characters
Direction Indicator	Support
Day & Night	Auto(ICR)
Backlight Compensation	BLC, HLC, WDR, SDR
Wide Dynamic Range	150dB
Digital Noise Reduction	SSNR V
Digital Image Stabilization	Support(built-in gyro sensor)
Defog	Support
Motion Detection	8ea, 8point polygonal zones
Privacy Masking	32ea, rectangular Support - Color: Grey/Green/Red/Blue/Black/White - Mosaic
Gain Control	Low / Middle / High
White Balance	ATW / AWC / Manual / Indoor / Outdoor

Electronic Shutter Speed	Minimum / Maximum / Anti flicker (2~1/12,000sec)
Video Rotation	Flip, Mirror
Analytics	Defocus detection, Directional detection, Fog detection, Face detection, Motion detection, Appear/Disappear, Enter/Exit, Loitering, Tampering, Virtual line, Audio detection, Sound classification, Shock detection
Serial Interface	RS-485(Samsung-T, Pelco-D/P, Panasonic, Bosch, AD, GE, Vicon, Honeywell)
Alarm I/O	Input 4ea / Output 2ea
Alarm Triggers	Analytics, Network disconnect, Alarm input
Alarm Events	File upload via FTP and e-mail Notification via e-mail SD/SDHC/SDXC or NAS recording at event triggers Alarm output PTZ Preset
Audio In	Selectable(mic in/line in) Supply voltage: 2.5VDC(4mA), Input impedance: 2K Ohm
Audio Out	Line out, Max.output level: 1Vrms
IR Viewable Length	350m(1,148.29ft)
Auto Tracking	Support
<b>Network</b>	
Ethernet	RJ-45(10/100BASE-T), SFP(Optional)
Video Compression	H.265/H.264: Main/Baseline/High, MJPEG
Audio Compression	G.711 u-law /G.726 Selectable G.726(ADPCM) 8KHz, G.711 8KHz G.726: 16Kbps, 24Kbps, 32Kbps, 40Kbps AAC-LC: 48Kbps at 16KHz
Smart Codec	Manual(5ea area), WiseStream II
Bitrate Control	H.264/H.265: CBR or VBR MJPEG: VBR
Streaming	Unicast(20 users) / Multicast (128 user) Multiple streaming(Up to 10 profiles)
Protocol	IPv4, IPv6, TCP/IP, UDP/IP, RTP(UDP), RTP(TCP), RTCP,RTSP, NTP, HTTP, HTTPS, SSL/TLS, DHCP, FTP, SMTP, ICMP, IGMP, SNMPv1/v2c/v3(MIB-2), ARP, DNS, DDNS, QoS, PIM-SM, UPnP, Bonjour, LLDP, SRTP, NTCIP
Security	HTTPS(SSL) Login Authentication Digest Login Authentication IP Address Filtering User access log 802.1X Authentication(EAP-TLS, EAP-LEAP)
Application Programming Interface	ONVIF Profile S/G SUNAPI(HTTP API) Wisenet open platform
<b>General</b>	
Webpage Language	English, Korean, Chinese, French, Italian, Spanish, German, Japanese, Russian, Swedish, Portuguese, Czech, Polish, Turkish, Dutch, Hungarian, Greek
Edge Storage	SD/SDHC/SDXC 1slot 256GB
Memory	1024MB RAM, 256MB Flash
<b>Environmental &amp; Electrical</b>	
Operating Temperature / Humidity	-50°C ~ +55°C (-58°F ~ +131°F)
Storage Temperature / Humidity	-50°C ~ +60°C (-58°F~+140°F) / Less than 90% RH
Certification	IP66, IK10
Input Voltage	24VAC
Power Consumption	24VAC: Max 90W
<b>Mechanical</b>	
Color / Material	Body: Ivory / Plastic, Head: Black / Plastic

Product Dimensions / Weight                      ø236.9x407.7mm(9.33x16.05"), 7.1Kg(15.65 lb)

---

DORI (EN62676-4 standard)

Detect (25PPM/ 8PPF)                              Wide: 67.5m(221.3ft) / Tele: 2315.7m(7597.6ft)

Observe (63PPM/ 19PPF)                          Wide: 27m(88.5ft) / Tele: 926.3m(3039ft)

Recognize (125PPM/ 38PPF)                      Wide: 13.5m(44.3ft) / Tele: 463.1m(1519.5ft)

Identify (250PPM/ 76PPF)                        Wide: 6.7m(22.1ft) / Tele: 231.6m(759.8ft)

---

# XNP-6371RH

2M H.265 37x IR PTZ Camera

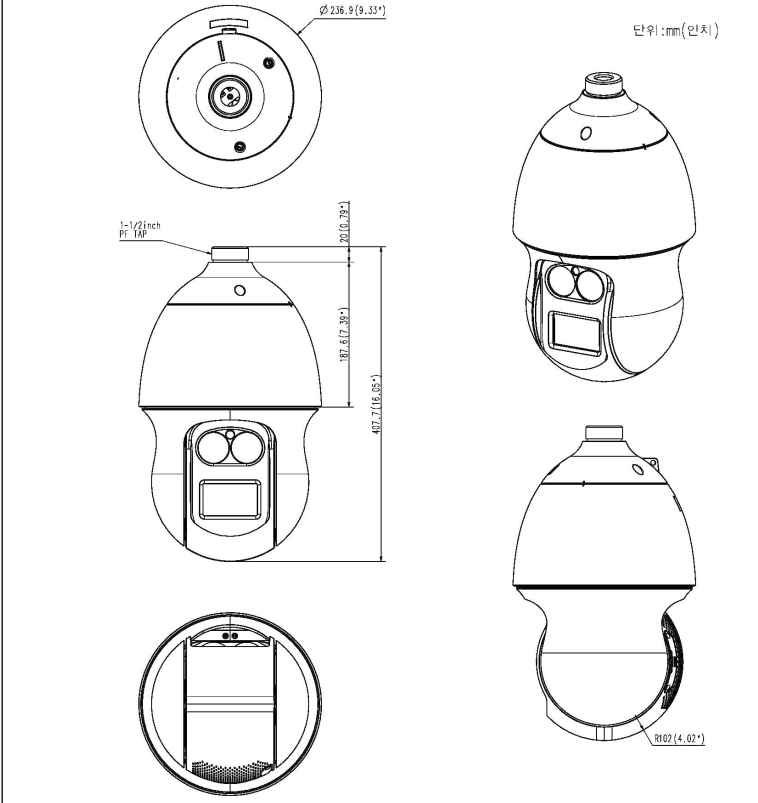


CAD

Unit:mm [inch]

This parts should not contain any substances which are specified in AIBO-0033K

NO	PART NAME	CODE NO.	MATERIAL	Q'TY	REMARK
1	PNP-9200RH_Camera_Total_Assy	-	MATERIAL	1	REMARK



STANDARD TOLERANCE

DIV	M1	M2	M3	M4	M5
0-10	0.20	0.21	0.22	0.23	0.24
10-30	0.21	0.22	0.23	0.24	0.25
30-50	0.22	0.23	0.24	0.25	0.26
50-100	0.23	0.24	0.25	0.26	0.27

A2 CHANGE

UNIT	mm	DESIGN	CHECK	APPROVAL	PART NAME	PNP-9200RH_Camera_Total_Assy
SCALE	1/1	Design	Check	Approval	MODEL NAME	PNP-9200RH
		15.08.01	15.08.01	15.08.01	CODE NO.	-