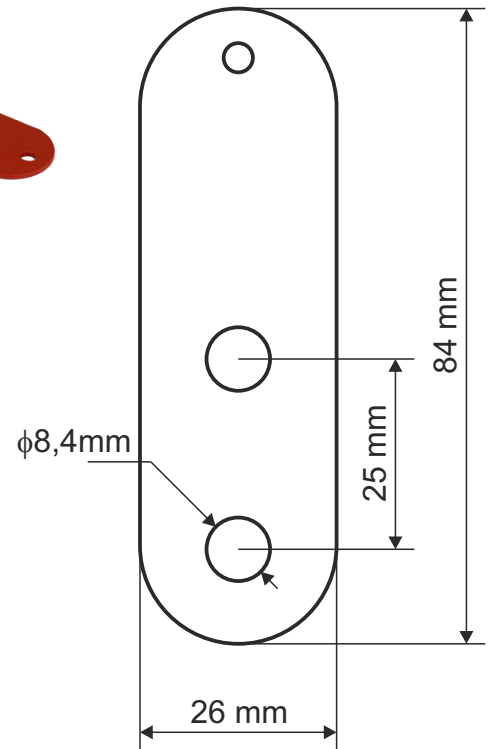
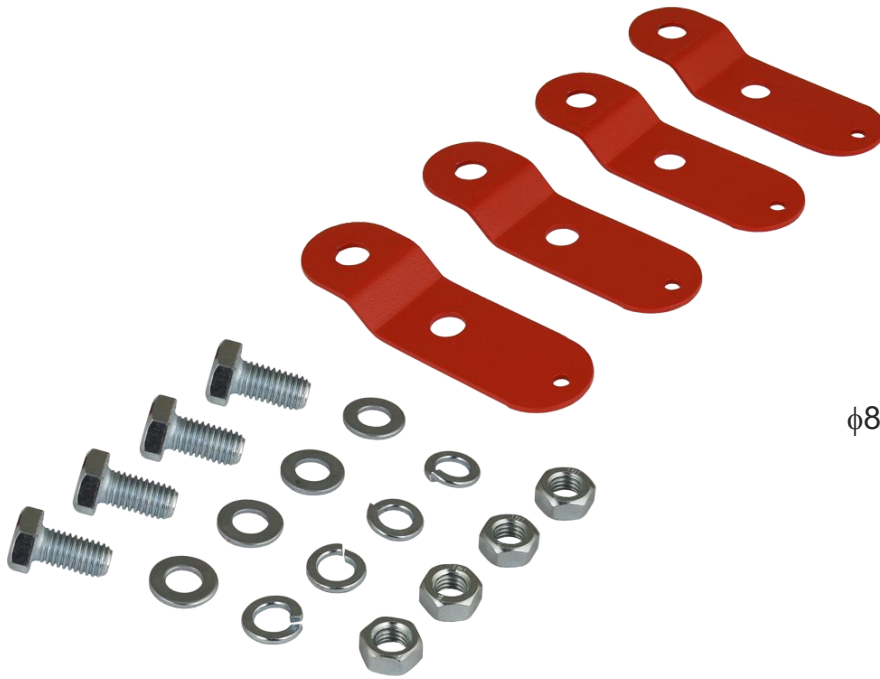


CODE: **EN54C-BR** v1.0/1  
 NAME: **Brackets for EN54C included**

**EN**



**APPLICATION**

Set intended to surface mounting power supply units series EN54C.

**TECHNICAL DATA**

<b>Dimensions:</b>	84 x 26 mm;
<b>Weight:</b>	0,16kg
<b>Notes:</b>	Set includes: 4 pcs of brackets + set of screws with washers and nuts