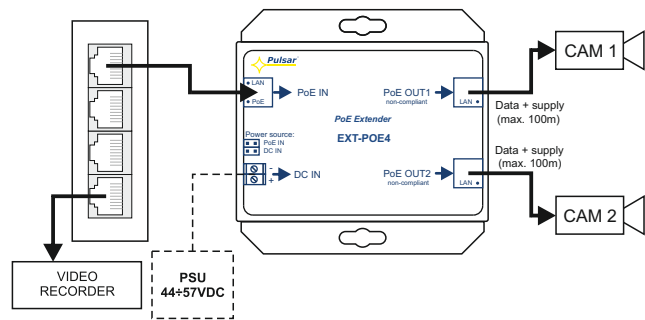
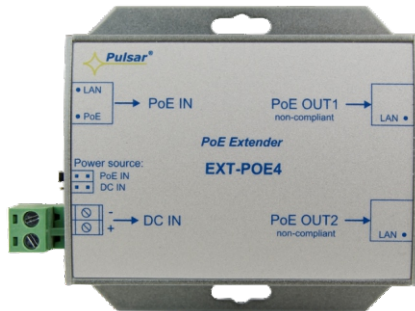


EXT-POE4

Extender EXT-POE4



CODE: **EXT-POE4** v1.0/l
 TYPE: **Extender EXT-POE4**



EN



Features of the power supply unit:

- The output voltage range 44-57VDC
- Can be powered from a PoE switch or external power supply
- The PoE IN input compatible with the IEEE 802.3af/at standard
- The PoE OUT1/PoE OUT2 output are not compliant with the IEEE 802.3af/at standard
- Increases Ethernet and PoE power range by 100 meters
- designed for 10Mbit/s and 100Mbit/s network
- LED optical signalization
- protections:
 - surge protection (PoE input)
 - OLP overload protection
 - SCP short circuit protection
- warranty – 2 year from the production date

DESCRIPTION

The **EXT-POE4 extender** is a device designed to increase the PoE and Ethernet range by additional 100 meters using UTP Cat. 5 cable. The Extender can be powered using a PoE switch or another PoE-compliant device (PoE IN input) or an external 44-57VDC power supply unit (DC IN input). The power source is selected using the *Power Source* jumper. The output voltage and data are available at the PoE OUT1 and OUT2 outputs designed for connecting cameras or other IP devices using PoE power supply. The maximum load current is 0,4A (0,3A/port). The PoE OUT1 and PoE OUT2 ports are supplied over 4/5 (+) and 7/8 (-) pairs, which, according to the Ethernet standard, are not used for data transmission (data transmission uses 1/2 and 3/6 twisted pairs).

TECHNICAL DATA

Supply voltage	802.3af/at / 44 ÷ 57VDC
Current consumption by PSU systems	<30mA
Module power	20W max.
Output voltage	applying power
Output current	0,3A/ports (Σ=0,4A max.)
The PoE IN input power supply pairs	4/5 (+) 7/8 (-)
The PoE OUT1/2 output power supply pairs	4/5 (+) 7/8 (-)
Overload protection OLP Short circuit protection SCP	2x PTC 0,5A, polymer fuse
LED operation indication	Yellow LAN LED - indicating the LAN connection status The PoE LED (green) indicating the supply voltage
Operation conditions	II environmental class, -10°C+40°C
Dimensions (LxWxH)	81 x 77 x 26 [mm]
Mounting	mounting screws x2 (holes Ø 6mm)
Connectors: - DC IN power supply input - IN/OUT PoE	Ø0,5÷2,1 (AWG 24-12) 0,5÷1,5mm ² RJ45 8P8C
Net/gross weight	0,11kg / 0,15kg
Storage temperature	-20°C...+60°C
Declarations, warranty	CE, 2 years from the production date