

HM-TD3028T-3/Q(B) Thermographic Cube Camera



Hikmicro HM-TD3028T-3/Q Thermographic Cube Camera is able to measure object's temperature at a high accuracy in real time. It is applied to fire prevention purpose in electric system, industrial automation and so on. The pre-alarm system helps you discover unexpected events immediately and protects your property.

- 256 × 192 (the resolution of output image is 1280 × 960) resolution in thermal channel, high sensitivity sensor
- Point, line and area for temperature measurement
- Temperature range: -20°C to 150°C (-4°F to 302°F), 0 °C to 550 °C (32°F to 1022 °F); temperature accuracy: Max (±2 °C, ±2%)
- Reliable temperature exception alarm function
- 3D DNR, image detail enhancement
- Audio alarm

• Specification

Infrared Image	
Image Sensor	VOx Uncooled Focal Plane Arrays
Resolution	256 x 192
Pixel Interval	12 μm
Response Waveband	8 μm to 14 μm
NETD	Less than 40 mK (@25°C, F# = 1.0)
Focal Length	3.6 mm
Focus Mode	Athermalized
Field of View	50° × 37.2° (H × V)
IFOV	3.33 mrad
Image Frequency	25 fps
Aperture	F 1.0
Min. Focusing Distance	0.3 m
Optical Module	
Image Sensor	1/5" Progressive Scan CMOS
Resolution	2688 × 1520
Focal Length	1.4 mm
Min. Illumination	0.06 Lux @ (2.2, AGC ON), 0 Lux with IR
Field of View	96.9° × 77.2°(H × V)
Aperture	F 2.2
Image Display	
Image Fusion	Fusion view of thermal view and overlaid details of the optical channel
Digital Zoom	2×, 4×
General	
Menu language	33 languages English, Russian, Estonian, Bulgarian, Hungarian, Greek, German, Italian, Czech, Slovak, French, Polish, Dutch, Portuguese, Spanish, Romanian, Danish, Swedish, Norwegian, Finnish, Croatian, Slovenian, Serbian, Turkish, Korean, Traditional Chinese, Thai, Vietnamese, Japanese, Latvian, Lithuanian, Portuguese (Brazil), Ukrainian
Power Supply	12 VDC, Max. 5 W PoE (802.3af, class 2)
Working Temperature and Humidity	-20 °C to 60 °C (-4 °F to 140 °F) 95% or less
Protection level	IP67
Weight	Approx. 335 g (0.74 lb)
Dimension	56 mm × 38.9 mm × 111.2 mm (2.20" × 1.53" × 4.38")
Image	
Main Stream	Thermal channel: 25 fps (1280 × 960) Optical channel: 25 fps (2688 × 1520)
Sub Stream	Thermal channel: 25 fps (704 × 576) Optical channel: 25 fps (704 × 576)

Image Setting	Rotate mode, brightness, contrast and AGC adjustable by client software or web browser
Compression Standard	
Video Compression	H.264 (Baseline/Main/High Profile) /MJPEG/H.265
Video Bit Rate	256 Kbps to 16 Mbps
Smart Function	
Temperature Range	-20 °C to 150 °C (-4 °F to 302 °F), 0 °C to 550 °C (32 °F to 1022 °F)
Temperature Accuracy	Max (± 2 °C, ± 2%)
Temperature Measurement Rules	Display Max. and Min. temperature in live view; 3 temperature measurement rule types, 21 rules (10 points, 10 regions, and 1 line).
Network	
Alarm Trigger	Video tampering alarm, Network disconnected, IP address conflict, Illegal login, HDD full, HDD error
Protocols	IPv4/IPv6, HTTP, HTTPS, 802.1x, Qos, FTP, SMTP, UPnP, SNMP, DNS, DDNS, NTP, RTSP, RTCP, RTP, TCP, UDP, IGMP, ICMP, DHCP, PPPoE, Bonjour
General Function	One-key reset, heartbeat, mirror, password protection, privacy mask, watermark, IP address filter
Interface	
Communication Interface	1, RJ45 Ethernet port,10M/100M/1000M 1, RS-485 interface
Alarm	2-ch relay output, alarm response actions configurable
Thermographic Integration	
External Optics Correction	Support Thermal Optical Transmittance and Manual Input External Optics Temperature; Support Calibration Coefficient calculation
Temperature Info. Of Thermographic Rule	Real-time Output; Time Interval: 500 ms
Temperature Info. of Image	Real-time Output; Default is 4 fps, 32 bit × 640 × 512 per frame; 16 bit and 32 bit are selectable
Capture Thermal Graphic	32 bit 160 × 120
Metadata Output	Max. 25 fps (16 bit 256 × 192)
System Function	
Lighting	Yes

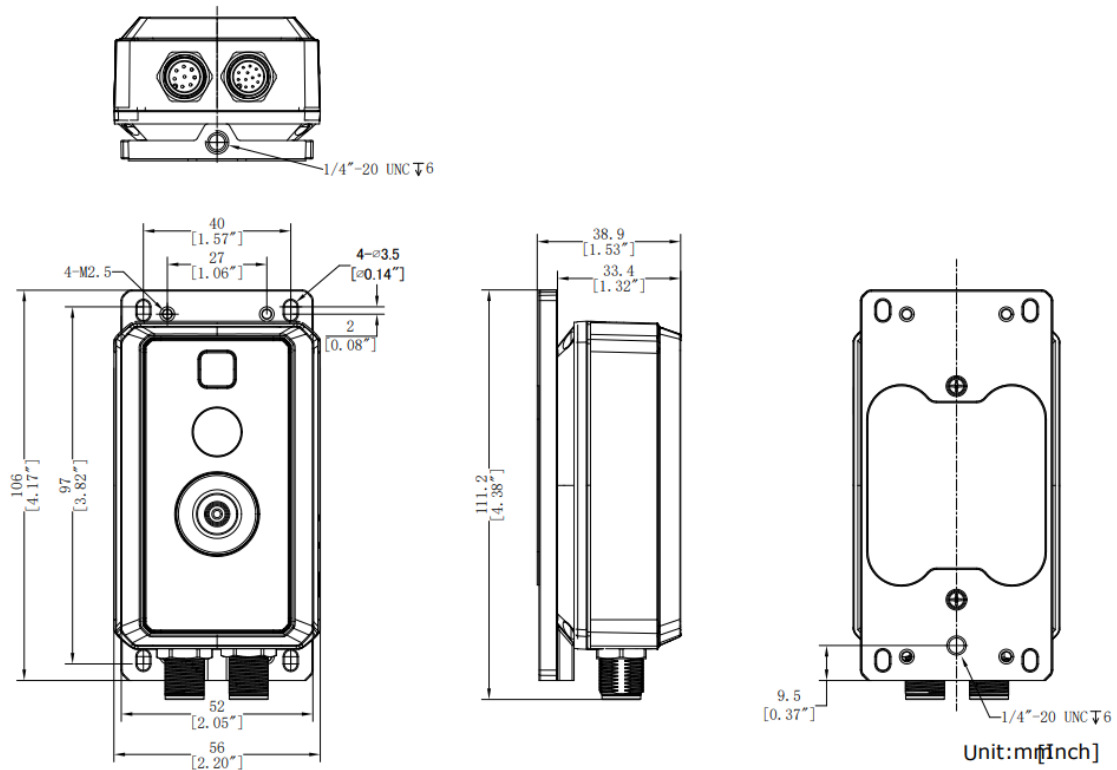
▪ Range Table

Temperature Measurement (Object: 0.2 x 0.2 m)	Temperature Measurement (Object: 0.5 x 0.5 m)
12m	30m

▪ Available Model

HM-TD3028T-3/Q(B)

Dimension



Accessory

Optional

DS-2920ZJ Bracket for Thermographic Cube Camera	DS-2924ZJ Cube Camera PT Bracket
	

COMPLIANCE NOTICE: The thermal series products might be subject to export controls in various countries or regions, including without limitation, the United States, European Union, United Kingdom and/or other member countries of the Wassenaar Arrangement. Please consult your professional legal or compliance expert or local government authorities for any necessary export license requirements if you intend to transfer, export, re-export the thermal series products between different countries.

