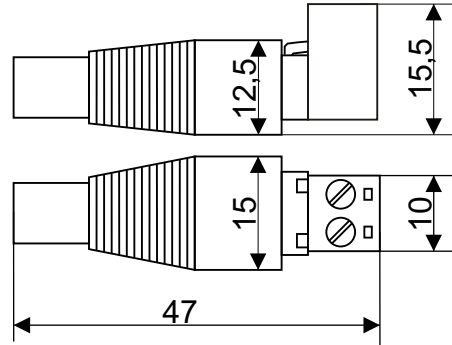
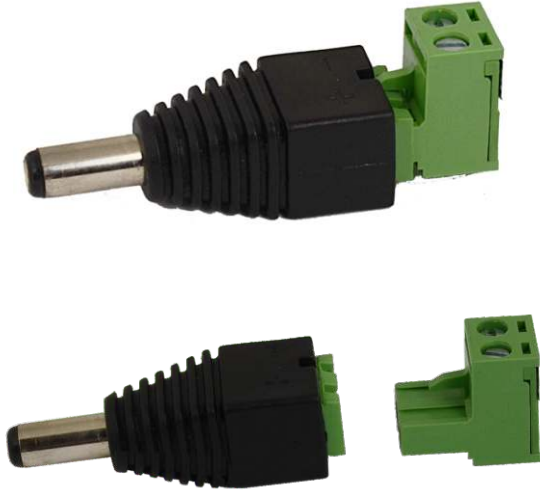


CODE: ML109 v.1.0/II
 TYPE: Reduction CABLE-PLUG DC5,5/2,1

EN*



DESCRIPTION

Reduction cable-plug DC 5,5/2,1- enables easy connection of the receivers that feature a DC5,5/2,1 outlet type to a power circuit e.g. fuse modules of LB4, LB8 series.

SPECYFICATIONS

Operation voltage:	30V DC max.
maximum current:	2A
Plug:	DC 5,5/2,1, female
cable connector:	Φ0,41÷1,63 (AWG 26-14)