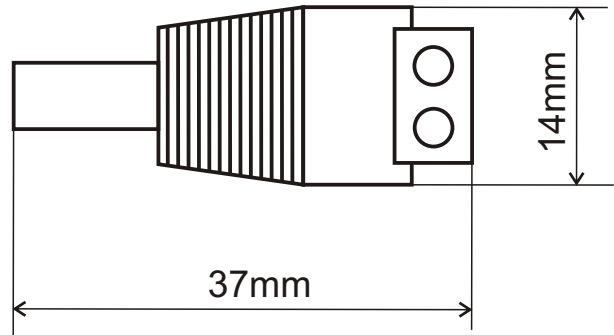
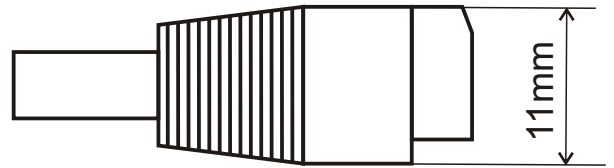


CODE: ML121 v1.0/II

TYPE: Reduction cable-plug DC 5.5/2.1/N

EN\*



## DESCRIPTION

CABLE - PLUG DC 5,5/2,1/N reduction - enables easy connection of the receivers that feature a DC5,5/2,1 outlet type to a power circuit e.g. fuse modules of LB4, LB8 series.

## SPECIFICATIONS

<b>Operation voltage:</b>	30V DC max.
<b>maximum current:</b>	2A
<b>Plug:</b>	DC 5,5/2,1, female
<b>cable connector:</b>	$\Phi 0,41 \div 1,63$ (AWG 26-14)
<b>Notes:</b>	one-piece connection block