

iii·PRO

Operating Instructions

Included Installation Instructions

Ceiling Mount Bracket

Model No. **WV-Q169A**

ENGLISH

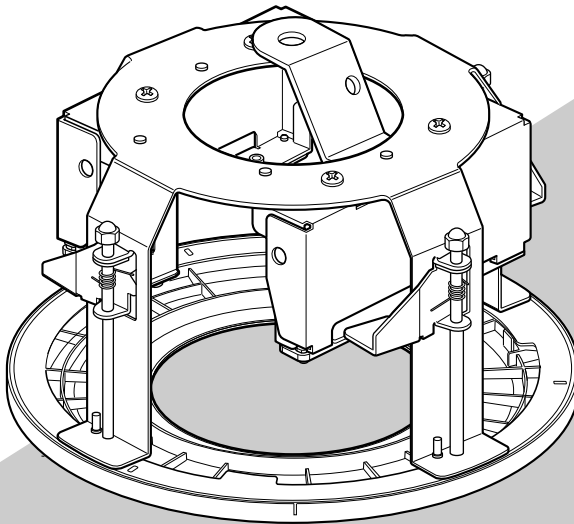
DEUTSCH

FRANÇAIS

ESPAÑOL

ITALIANO

РУССКИЙ



Before attempting to connect or install this product,
please read these instructions carefully and save this manual for future use.

The model number is abbreviated in some descriptions in this manual.

Contents

Features.....	2
Precautions	3
Precautions for installation	4
Major operating controls	6
Installations	7
Specifications.....	14
Standard accessories.....	14

Features

The WV-Q169A is a ceiling embedded bracket that is exclusively designed to mount the color CCTV camera and Network camera on a ceiling. Refer to the catalog or operating instructions of the camera for further information about the compatible models. This bracket can be used for an area with weak pull-out strength such as plasterboard in a double ceiling, and the embedded type makes the visible part of the camera smaller.

* It is possible to use WV-Q169A instead of WV-Q169 for the models introducing WV-Q169 as an available optional part.

Precautions

Refer installation work to the dealer.

Installation work requires technique and experiences.

Failure to observe this may cause fire, electric shock, injury, or damage to the product.

Be sure to consult the dealer.

Avoid installing this bracket in the locations where salt damage occurs or corrosive gas is produced.

Otherwise, the mounting portions will deteriorate and accidents such as a fall of this product may occur.

The screws and bolts must be tightened to the specified torque.

Loosening of mounting screws or bolts may cause a fall of the product resulting in injury or accidents.

Do not use this bracket except with suitable cameras.

Failure to observe this may cause a drop resulting in injury.

Select an installation area that can support the total weight.

Selecting an inappropriate installation surface may cause this product to fall down or topple over, resulting in injury or accidents.

Installation work shall be started after sufficient reinforcement.

Do not rub the edges of metal parts with your hand.

Strong rubbing may cause injury.

Periodic inspections shall be conducted.

Rust on the metal parts or screws may cause a fall of the product resulting in injury or accidents.

Consult the dealer for the inspections.

The measures of protection against a fall of this product shall be taken.

Failure to observe this may cause a drop resulting in injury or accidents.

Be sure to install the safety wire.

The exclusively designed mount bracket shall be used.

Failure to observe this may cause a drop resulting in injury or accidents.

Use the exclusively designed mount bracket for installation.

Do not install this product in locations subject to vibration.

Loosening of mounting screws or bolts may cause a fall of the product resulting in injury or accidents.

Do not strike or give a strong shock to this product.

Failure to observe this may cause fire or injury.

Install this product in a location high enough to avoid people and objects from bumping the product.

Failure to observe this may cause injury.

Do not hang down from this product or use this product as a pedestal.

Failure to observe this may cause a drop resulting in accidents.

Precautions for installation

All work related to the installation of this product should be made by qualified service personal or system installer.

i-PRO Co., Ltd. assumes no responsibility for injuries or property damage resulting from failures arising out of improper installation or operation inconsistent with this documentation.

The installation should comply with local electrical code.

This product is designed to be used indoors.

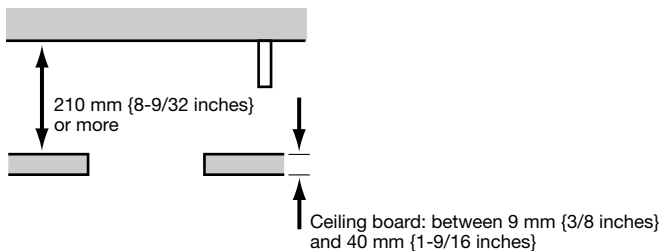
This product is not operable outdoors.

Do not expose this product to direct sunlight for hours and do not install the product near a heater or an air conditioner.

Otherwise, it may cause deformation, discoloration and malfunction. Keep this product away from water and moisture.

Installation area for this product

- Make sure that the installation area is strong enough to hold the total weight of the camera assembly before installation.
- The installation area shall have 210 mm {8-9/32 inches} or more space behind the ceiling.
- The thickness of the ceiling board for installation can range between 9 mm {3/8 inches} and 40 mm {1-9/16 inches}.



Do not place this product in the following places:

- Locations where it may get wet from rain or water splash (including under the eaves, etc.)
- Locations where a chemical agent is used such as a swimming pool
- Locations subject to moisture and oil smoke such as a kitchen
- Locations that have a specific environment that is subject to an inflammable atmosphere or solvents
- Locations where a radiation, an X-ray, a strong radio wave or a strong magnetic field is generated
- Locations where corrosive gas is produced, locations where it may be damaged by briny air such as seashores
- Locations where the temperature is not within the specified range (-45°C to $+50^{\circ}\text{C}$ { -49°F to 122°F })

- Locations subject to vibrations, such as on vehicles, marine vessels, or above product lines (This product is not designed for on-vehicle use.)
- Locations subject to condensation as the result of severe changes in temperature

Procure anchor bolts separately.

An anchor bolt for mounting the bracket on a ceiling is not supplied with the ceiling mount bracket. Prepare them according to the material and strength of the area where the product is to be installed.

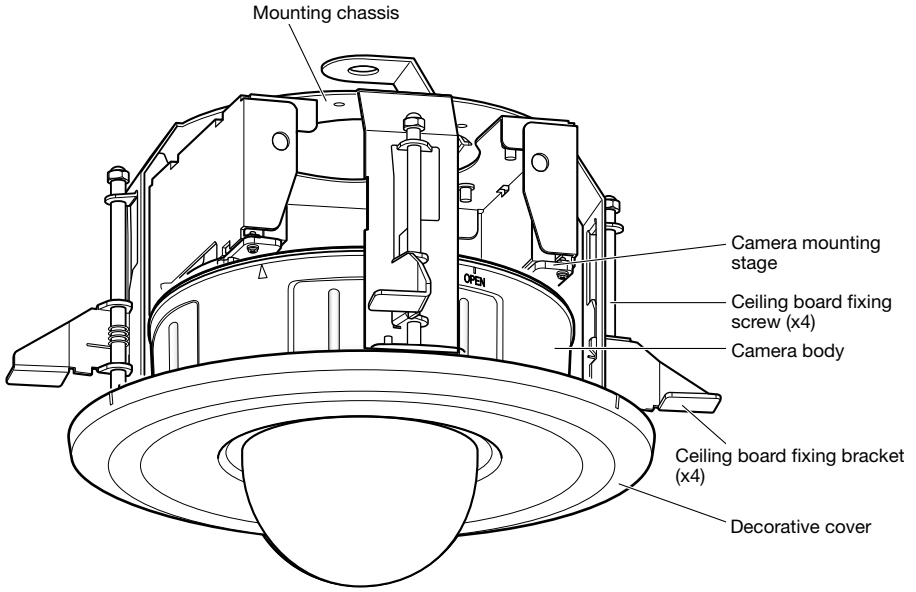
- Anchor bolt: M10, recommended
- Minimum pull-out strength: Make sure that more than 5 times of the total weight including the camera body can be supported.

Tightening the screws and bolts

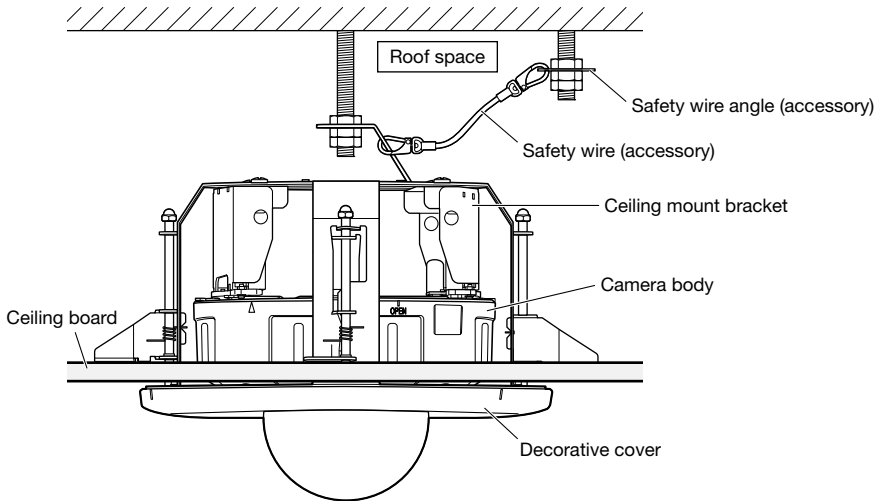
- The screws and bolts must be tightened with an appropriate tightening torque according to the material and strength of the installation area.
- Do not use an impact driver. Use of an impact driver may damage the screws or cause tightening excessively.
- When a screw is tightened, make the screw at a right angle to the surface. After tightening the screws or bolts, perform checks to ensure that the tightening is sufficient enough so that there is no movement or looseness.

Make sure to remove this product if it will no longer be used.

Major operating controls



<Installation sample>



Installations

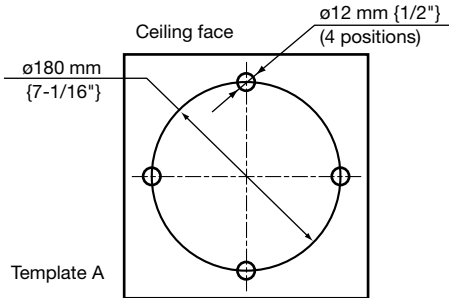
Be sure to read “Precautions” (☞ page 3) and “Precautions for installation” (☞ page 4) before installation. Read the operating instructions for the camera to be installed as well.

Step 1

Put Template A (accessory) against the ceiling and make a hole.

- ① Make 4 holes of 12 mm {1/2 inches} in diameter.
- ② Remove the center part from the template.
- ③ Make a hole of 180 mm {7-1/16 inches} in diameter.

The ceiling holes are shown in the drawing at right. →

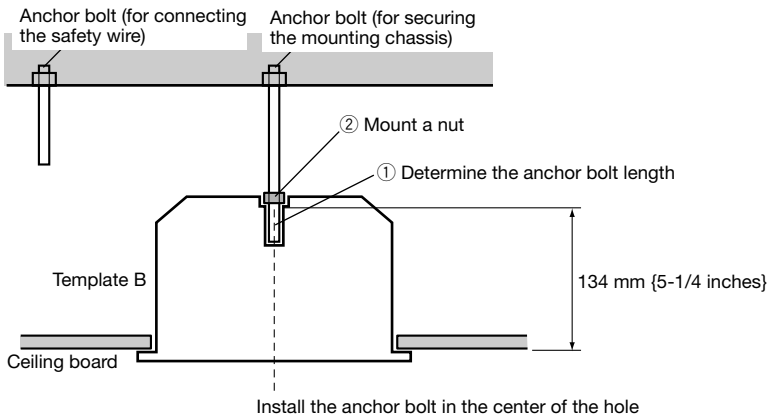


Step 2

Install two anchor bolts (locally procured: M10 recommended) into the ceiling.

One anchor is used for securing the mounting chassis, and the other anchor is used for connecting the safety wire.

- ① Determine the anchor bolt length (for securing the mounting chassis) by use of Template B (accessory).
- ② Position the nut by use of Template B (accessory) and mount the nut. (The distance between the bottom surfaces of the ceiling board and nut shall be 134 mm {5-1/4 inches}.)



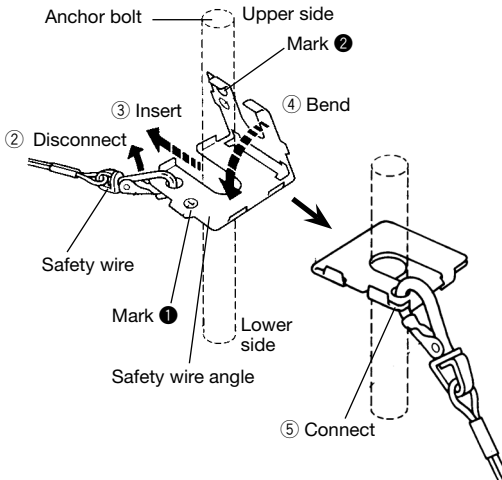
IMPORTANT:

- The pull-out strength of the anchor bolt shall be more than 5 times of the total weight of the installed devices (including the camera body, ceiling mount bracket, anchor bolts, and all other parts).
- When the existing anchor bolt is used as an anchor bolt for connecting the safety wire, make sure that the distance between the anchor bolt and camera mounting position is 1 m {3.28 feet} or less.

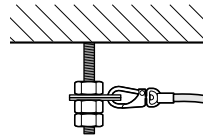
Step 3

Secure the safety wire angle (accessory) to the anchor bolt (for connecting the safety wire), and connect the safety wire (accessory).

- ① Mount a nut so that the safety wire angle is secured on the anchor bolt.
- ② Disconnect the safety wire from the safety wire angle.
- ③ Engage the face marked ❶ with the anchor bolt.
- ④ Bend the face marked ❷.
- ⑤ Connect the safety wire to the safety wire angle again.
- ⑥ Engage the nut from beneath, and secure the safety wire angle with top and bottom nuts.
- ⑦ Engage another nut from beneath to tighten and secure the nut that was engaged from beneath in ⑥ in a double nut fashion.

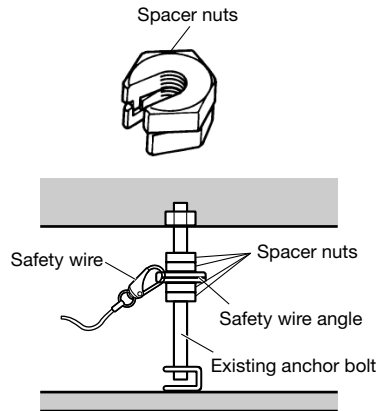


<Image of safety wire connection>



Note:

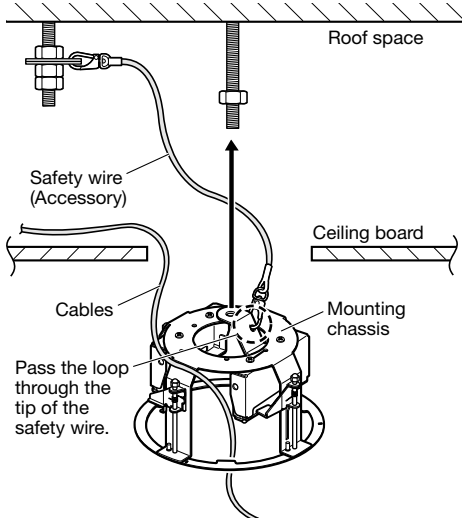
- When the existing anchor bolt that has been installed is used for connecting the safety wire, the use of 2 spacer nuts is helpful.



* The nut is omitted in the illustration above.

Step 4

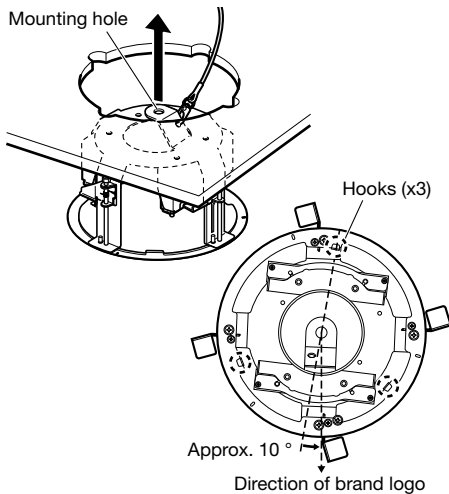
Attach the safety wire to the mounting chassis as shown in the following drawing.



Step 5

Insert the anchor bolt (for securing the mounting chassis) into the mounting hole of the mounting chassis.

To adjust the position of the i-PRO logo on the decorative cover, rotate the mounting chassis. Note that the i-PRO logo will be located at approximately 180° opposite side of a hook for the decorative cover.



Step 6

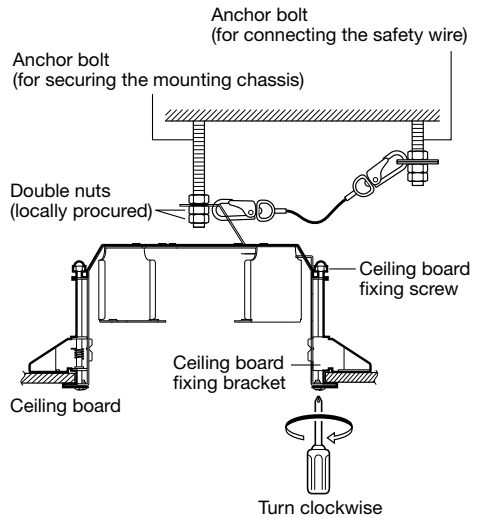
Secure the mounting chassis to the ceiling board with the ceiling board fixing screws (4 positions).

Turning the ceiling board fixing screws clockwise provides ceiling board tightening between the bottom of the mounting chassis and ceiling board fixing bracket resulting in mounting chassis securing.

(Recommended tightening torque:
0.78 N·m {0.58 lbf·ft})

IMPORTANT:

- When securing this bracket on the ceiling, make sure that the four ceiling board fixing brackets are open as shown in the following figure.



Step 7

Use double nuts (locally procured) to secure the mounting chassis after inserting the anchor bolt (for securing the mounting chassis).

Step 8

Follow the procedure according to the model of the camera to be installed.

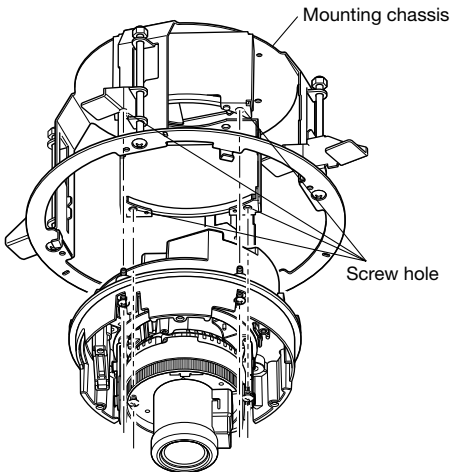
<Installing WV-NW484S>

- ① Use the driver bit supplied with the camera to remove the screws that secure the camera enclosure and remove the enclosure from the camera main body.

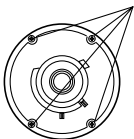
IMPORTANT:

- Refer to the Operating instructions of the camera as well.

- ② Perform camera wiring.
- ③ Align the screw holes of the mounting chassis with the 4 mounting screws of the camera main body and tighten them. (Recommended tightening torque: 0.78 N·m {0.58 lbf·ft})



Screws of the main camera body



Note:

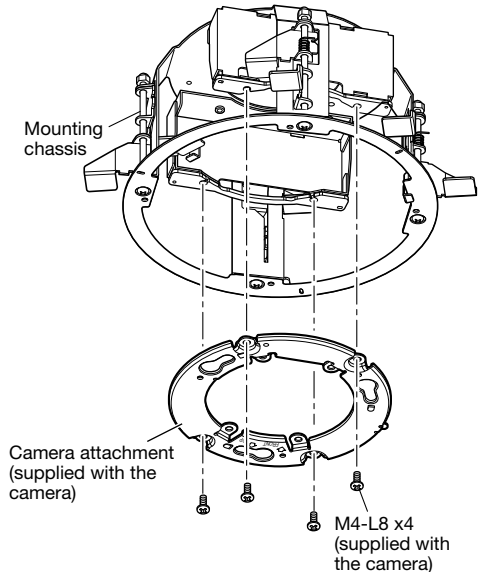
- The mount bracket supplied with the camera is not used.

- ④ Mount the camera enclosure on the camera main body.

<Installing WV-CW504F, WV-CW504S, WV-NW502S>

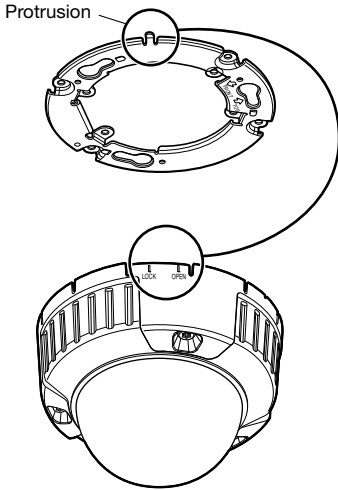
- ① Mount the camera attachment (supplied with the camera) to this chassis.

Use 4 M4-L8 screws (supplied with the camera) to secure the camera attachment firmly as shown in the drawing. (Recommended tightening torque: 0.78 N·m {0.58 lbf·ft})



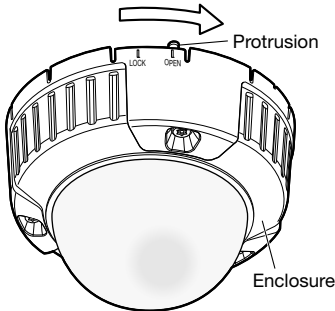
- ② Connect the camera cables.

- ③ Align the “OPEN” mark of the camera with the protrusion of the camera attachment.



Engage the camera with the camera attachment.

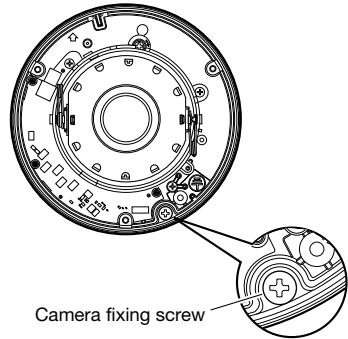
- ④ Rotate the camera in the arrow direction so that the protrusion of the camera attachment is aligned with the “LOCK” position to eliminate any backlash between the camera and camera attachment.



- ⑤ Use the driver bit (supplied with the camera) to loosen the screws that secure the camera enclosure and remove the enclosure from the camera main body. Secure the camera to the camera attachment with the camera fixing screw (red). (Recommended tightening torque: 0.78 N·m {0.58 lbf-ft})

IMPORTANT:

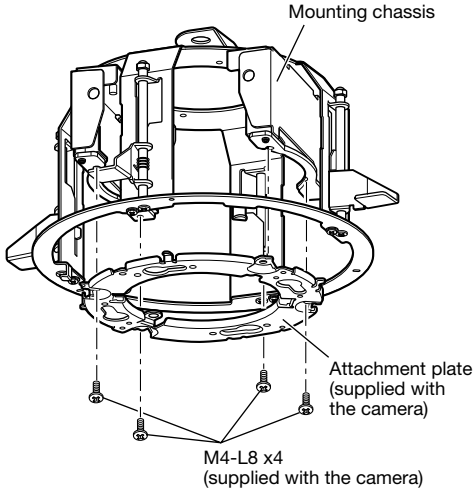
- The camera fixing screw shall be securely tightened. Otherwise, water exposure may cause damage or malfunction of camera, or camera dropping may result in injury. (Recommended tightening torque: 0.78 N·m {0.58 lbf-ft})
-



- ⑥ Adjust the camera. Refer to the manual of the camera.
- ⑦ Use the driver bit (supplied with the camera) to tighten the screws that secure the camera enclosure and mount the enclosure on the camera main body.

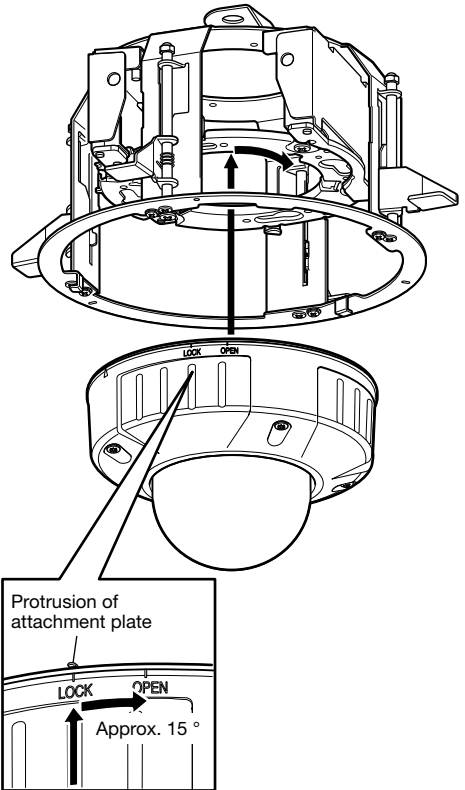
<Installing WV-SFV631L, WV-SFV611L>

- ① Mount the attachment plate (supplied with the camera) to this mounting chassis. Use 4 M4-L8 screws (supplied with the camera) to secure the attachment plate firmly as shown in the drawing.
(Recommended tightening torque:
0.78N·m {0.58 lbf-ft})



- ② Connect the camera cables.

- ③ Align the “OPEN” mark of the camera with the protrusion of the attachment plate .
Mount the camera by inserting the attachment mounting screws into the holes of the attachment plate.
Rotate the camera in the arrow direction so that the protrusion of the attachment plate is aligned with the “LOCK” position to eliminate any backlash between the camera and attachment plate.



- ④ Loosen 4 enclosure fixing screws using the bit (supplied with the camera).
Remove the enclosure from the camera, and secure the camera using a camera fixing screw.

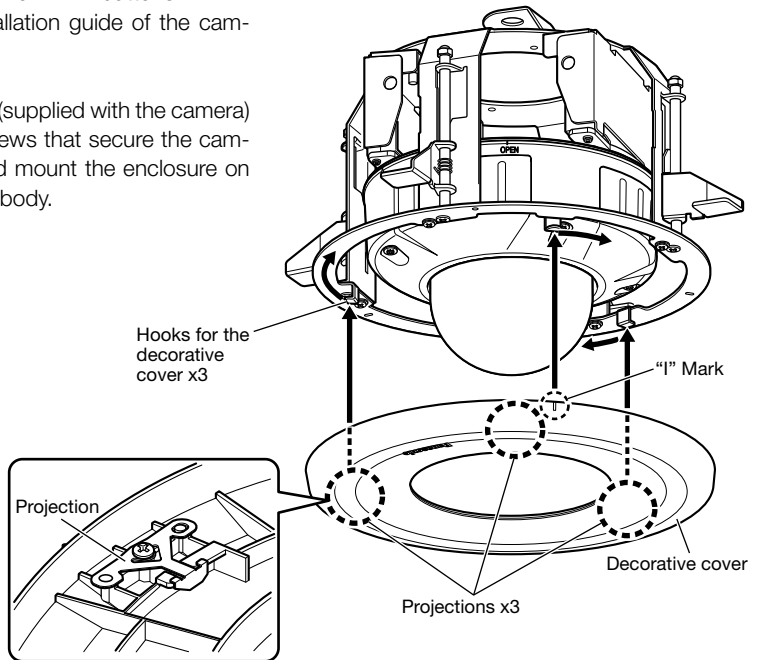
IMPORTANT:

- Be sure to tighten the camera fixing screw. Failure to observe this may cause camera trouble due to camera falling.
(Recommended tightening torque: 0.78 N·m {0.58 lbf·ft})
- ⑤ Adjust the angle of the camera with the tilt table, pan table, and azimuth adjustment ring, and then adjust the viewing angle by pressing the WIDE or TELE buttons. Refer to the installation guide of the camera.
- ⑥ Use the driver bit (supplied with the camera) to tighten the screws that secure the camera enclosure and mount the enclosure on the camera main body.

Step 9

Mount the decorative cover on this mount bracket.

- Align the “I” mark of the decorative cover supplied with this mounting chassis with the hook of the mounting chassis, press the decorative cover against the ceiling, and rotate the decorative cover clockwise when viewing it from beneath to secure the cover.
- Two types of decorative cover are provided. For WV-SFV631L and WV-SFV611L, use the one whose diameter of the opening for the dome cover is smaller. For the other models, use the one whose opening diameter is larger.



Specifications

Ambient temperature:	-45 °C to +50 °C {-49 °F to 122 °F}
Dimensions:	211.3 mm {8-5/16 inches} in diameter x 133.8 mm {5-9/32 inches} in embedment depth
Weight:	Approx. 870 g {1.92 lbs}
Finish:	Main body: Metal
Decorative cover:	ABS resin with light silver coating

Standard accessories

Operating Instructions (this book)1 pc.

The following are for installation.

Safety wire.....	1 pc.
Safety wire angle	1 pc.
Template A	1 pc.
Template B	1 pc.
Decorative cover.....	2 pcs.

Inhalt

Merkmale.....	15
Vorsichtsmaßnahmen.....	16
Vorsichtshinweise zur Installation.....	17
Wichtige Bedienungselemente.....	19
Installation.....	20
Technische Daten.....	27
Standardzubehör.....	27

Merkmale

WV-Q169A ist eine in die Decke eingelassene Montagehalterung, die speziell für die Montage von CCTV-Farbkameras und Netzwerkkameras an der Decke ausgelegt ist. Einzelheiten über dazu passende Kameramodelle finden Sie im Katalog oder in der Bedienungsanleitung. Die Halterung kann auch auf Flächen mit geringer Ausreißfestigkeit wie z.B. Gipsplatten in einer abgehängten Decke verwendet werden. Mit dieser Halterung wird die Kamera in die Decke eingelassen, womit sich der freiliegende Teil des Gehäuses reduziert.

* Bei Modellen, für die WV-Q169 als Option angegeben ist, kann WV-Q169A anstelle von WV-Q169 verwendet werden.

Vorsichtsmaßregeln

Zur Installation an einen Fachhändler wenden.

Installationsarbeiten erfordern Fachkenntnisse und Erfahrung.

Andernfalls besteht die Gefahr von Brand, elektrischem Schlag, Verletzungen oder Schäden an diesem Produkt.

Unbedingt einen Fachhändler konsultieren.

Die Halterung nicht in Bereichen installieren, wo sie Beschädigung durch Salz oder korrosive Gase ausgesetzt ist.

Andernfalls können die Montageteile korrodieren, was zu Unfällen wie Herunterfallen des Produkts führen kann.

Schrauben und Bolzen müssen auf das vorgeschriebene Anzugsmoment festgezogen werden.

Lockere Bolzen oder Schrauben können zum Herunterfallen des Produkts führen und dabei Verletzungen oder Unfälle verursachen.

Diese Halterung nur in Verbindung mit den dazu passenden Kameras verwenden.

Andernfalls besteht die Gefahr des Herunterfallens, was zu Körperverletzungen führen kann.

Eine Einbaustelle wählen, die stark genug ist, um das Gesamtgewicht zu tragen.

Wird eine ungeeignete Einbaustelle gewählt, so kann das Produkt herunterfallen oder umstürzen, was zu Verletzungen und Unfällen führen kann.

Die Einbaustelle vor der Installation ausreichend verstärken.

Die Kanten von Metallteilen möglichst nicht mit der Hand berühren.

Anstoßen kann zu Verletzungen führen.

Regelmäßige Kontrollen müssen durchgeführt werden.

Bei Verwendung von rostigen Metallteilen oder Schrauben kann das Produkt herunterfallen und dabei Verletzungen oder Unfälle verursachen.

Kontrollen durch Fachhändler durchführen lassen.

Es sind Maßnahmen gegen das Herunterfallen des Produkts zu treffen.

Andernfalls besteht die Gefahr des Herunterfallens, was zu Körperverletzungen oder Unfällen führen kann.

Nicht vergessen, den Fangdraht anzubringen.

Nur die speziell für das Produkt bestimmte Montagehalterung verwenden.

Andernfalls besteht die Gefahr des Herunterfallens, was zu Körperverletzungen oder Unfällen führen kann.

Zur Installation die speziell für das Produkt bestimmte Montagehalterung verwenden.

Das Produkt nicht an Orten installieren, wo es Vibration ausgesetzt ist.

Lockere Bolzen oder Schrauben können zum Herunterfallen des Produkts führen und dabei Verletzungen oder Unfälle verursachen.

Das Produkt keinen Schlägen oder starken Erschütterungen aussetzen.

Andernfalls besteht die Gefahr von Körperverletzungen oder Brand.

Das Produkt hoch genug installieren, damit man sich den Kopf nicht daran stößt.

Andernfalls kann es zu Verletzungen kommen.

Nicht am Produkt hangeln oder es als Trittbrett benutzen.

Andernfalls besteht die Gefahr des Herunterfallens, was zu Unfällen führen kann.

Vorsichtshinweise zur Installation

Alle mit der Installation dieses Produkts verbundenen Arbeiten von einem qualifiziertem Kundendiensttechniker oder Systeminstallateur vornehmen lassen.

i-PRO Co., Ltd. übernimmt keine Verantwortung für Verletzungen oder Sachschäden, die aus der Installation oder Bedienung resultieren, die nicht wie in dieser Dokumentation beschrieben ausgeführt werden.

Die Installationsarbeiten müssen den örtlichen elektrotechnischen Vorschriften entsprechen.

Das Produkt ist für den Einsatz in Innenräumen bestimmt.

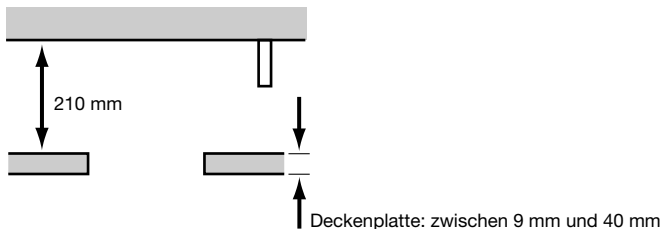
Die Produkt ist nicht für den Einsatz im Freien bestimmt.

Das Produkt nicht an Orten installieren, wo es längere Zeit direkter Sonneneinstrahlung ausgesetzt ist, oder in der Nähe einer Heizung oder Klimaanlage.

Andernfalls kann es zu Verformungen, Verfärbungen oder Störungen kommen. Das Produkt vor Wasser und Feuchtigkeit schützen.

Einbaulfläche für das Produkt

- Vor dem Einbau sicherstellen, dass die Einbaulfläche ausreichend fest ist, um das Gesamtgewicht der Kamerabaugruppe zu tragen.
- Hinter der Einbaulfläche muss mindestens 210 mm Freiraum vorhanden sein.
- Die Dicke der Deckenplatte, in die das Produkt eingebaut wird, darf zwischen 9 mm und 40 mm betragen.



Folgende Standorte sind zu vermeiden:

- Orte, an denen es durch Regen oder Spritzwasser nass werden kann (beispielsweise unter der Dachrinne, o.Ä.)
- Orte, die chemischen Stoffen ausgesetzt sind, z.B. in der Nähe eines Schwimmbads
- Orte, wo Feuchtigkeit und ölige Dünste auftreten, z.B. eine Küche
- Orte, wo die Luft leicht entflammable Gase oder Lösungsmittel enthält
- Orte, wo Strahlung, Röntgenstrahlen, starke elektromagnetische Wellen oder Magnetfelder erzeugt werden
- Orte, wo korrosives Gas erzeugt wird oder Schäden durch salzhaltige Luft entstehen könnten, z.B. in Küstennähe
- Orte, wo die Temperatur nicht im vorgeschriebenen Bereich (-45 °C bis +50 °C) liegt.
- Vibration ausgesetzte Orte, wie z.B. an Bord von Fahrzeugen oder Schiffen oder über Produktionsstraßen (Das Produkt ist nicht für den Betrieb an Bord eines Fahrzeugs bestimmt.)
- Orte, wo aufgrund starker Temperaturschwankungen Kondensation auftritt

Ankerschrauben bitte getrennt zu beschaffen.

Ankerschrauben für die Montage der Deckenmontagehalterung gehören nicht zum Lieferumfang. Die Befestigungsmittel müssen für das Material und die Stärke der Montagefläche des Produkts geeignet sein.

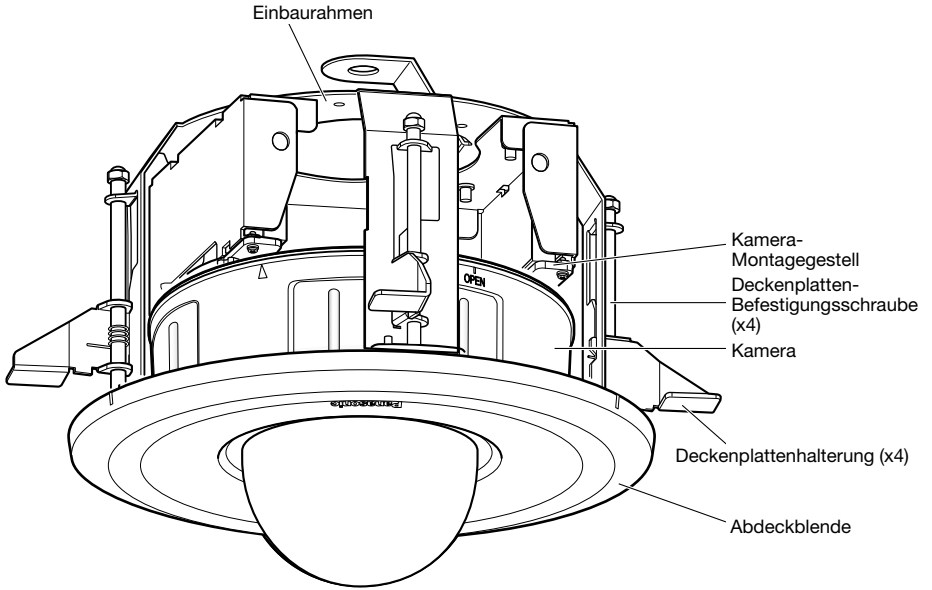
- Ankerschraube: M10, empfohlen
- Mindestausreißfestigkeit: Sicherstellen, dass die Montage mindestens das Fünffache des Kameragewichts tragen kann.

Festziehen der Schrauben und Schraubbolzen

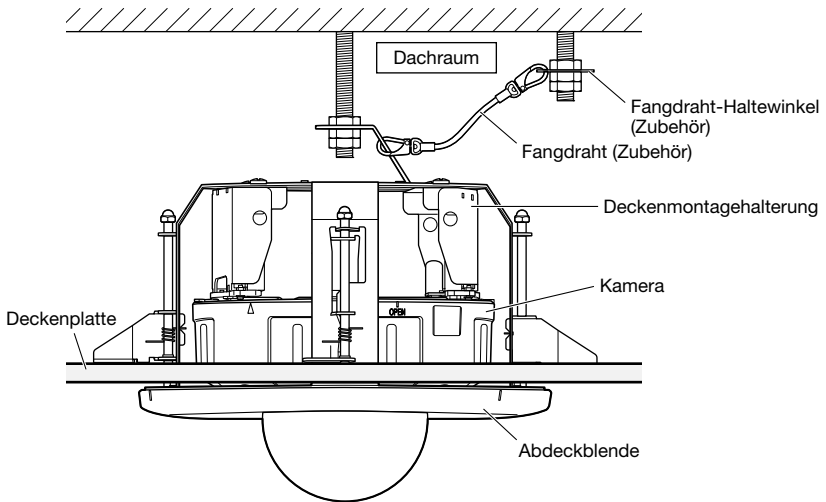
- Schrauben und Bolzen müssen mit dem für das Material und die Stärke der Einbaufäche geeigneten Anzugsmoment festgezogen werden.
- Keinen Schlagschrauber verwenden. Durch Schlagschrauber könnten die Schrauben beschädigt oder zu fest angezogen werden.
- Zum Festziehen muss die Schraube im rechten Winkel zur Montagefläche stehen. Nach dem Anziehen der Bolzen oder Schrauben durch Kontrollen sicherstellen, dass alle ausreichend fest angezogen sind und keine wackeln oder locker sitzen.

Bei Nichtgebrauch sollte das Produkt unbedingt weggeräumt werden.

Wichtige Bedienungselemente



<Installationsbeispiel>



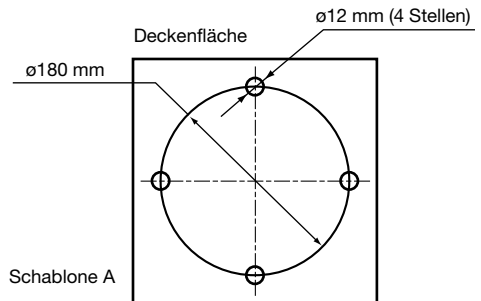
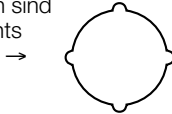
Installation

Vor dem Einbau unbedingt die Abschnitte "Vorsichtsmaßnahmen" (☞ Seite 16) und "Vorsichtshinweise zur Installation" (☞ Seite 17) lesen. Auch die Bedienungsanleitung der zu montierenden Kamera lesen.

Schritt 1

Schablone A (Zubehör) an die Decke halten und einen Durchbruch anbringen.

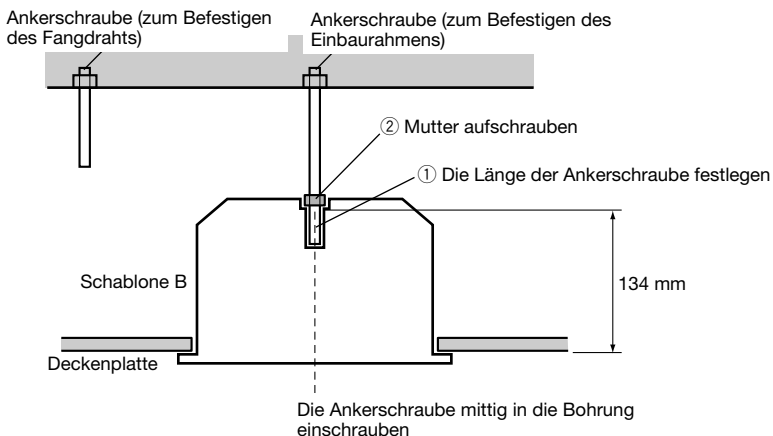
- ① Vier Löcher von 12 mm Durchmesser anbringen.
- ② Den mittleren Teil von der Schablone abziehen.
- ③ Ein rundes Loch mit 180 mm Durchmesser anbringen.
Die Deckenöffnungen sind in der Abbildung rechts gezeigt.



Schritt 2

Zwei Ankerschrauben (vor Ort zu beschaffen: M10 empfohlen) an der Decke anbringen. Eine der Ankerschrauben dient zum Sichern des Einbaurahmens, die andere zum Befestigen des Fangdrahts.

- ① Mithilfe der Schablone B (Zubehör) die Länge der Ankerschraube (zum Sichern des Einbaurahmens) festlegen.
- ② Die Mutter mithilfe der Schablone B (Zubehör) in die richtige Lage bringen. (Der Abstand zwischen der Unterfläche der Deckenplatte und der Mutter muss 134 mm betragen.)



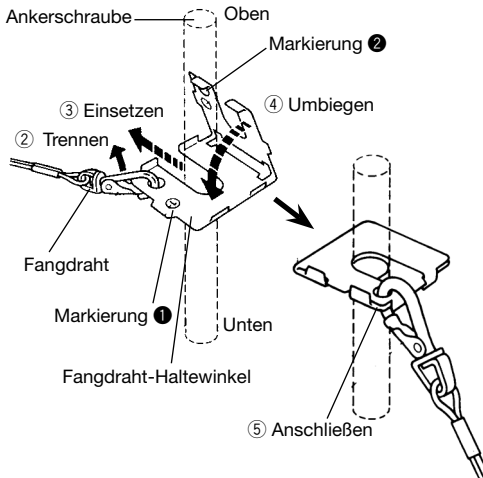
WICHTIG:

- Die Ausreißfestigkeit der Ankerschraube muss mindestens dem Fünffachen des insgesamt montierten Gewichts (einschließlich Kamera, Deckenmontagehalterung, Ankerschrauben und sonstige Teile) entsprechen.
- Bei Verwendung einer vorhandenen Ankerschraube zum Befestigen des Fangdrahts darauf achten, dass der Abstand zwischen der Ankerschraube und der montierten Kamera höchstens 1 m betragen darf.

Schritt 3

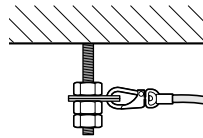
Den Fangdraht-Haltewinkel (Zubehör) an der Ankerschraube (zum Befestigen des Fangdrahts) anbringen und den Fangdraht (Zubehör) daran befestigen.

- ① Den Fangdraht-Haltewinkel mit einer Mutter an der Ankerschraube sichern.
- ② Den Fangdraht vom Fangdraht-Haltewinkel trennen.
- ③ Die mit ❶ markierte Fläche auf die Ankerschraube setzen.
- ④ Die mit ❷ markierte Fläche runterbiegen.
- ⑤ Den Fangdraht wieder am Fangdraht-Haltewinkel befestigen.
- ⑥ Die Mutter von unten her einsetzen und den Fangdraht-Haltewinkel oben und unten mit je einer Mutter sichern.
- ⑦ Zur Sicherung der von unten aufgeschraubten Mutter eine weitere Mutter aufschrauben, so dass sich die mit ⑥ bezeichnete Doppelmuttersicherung ergibt.



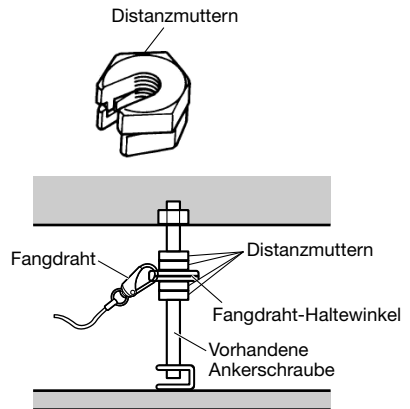
* In der obigen Abbildung sind die Muttern weggelassen.

<Anschluss des Fangdrahts>



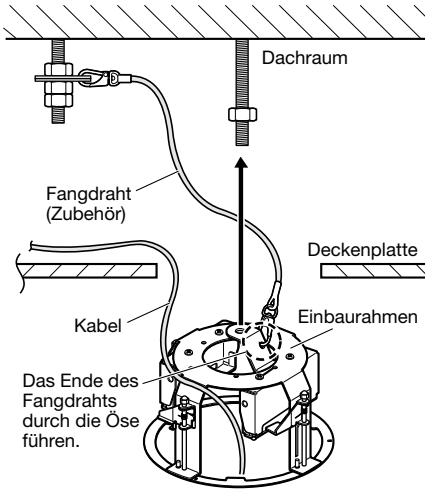
Anmerkung:

- Bei Anschluss des Fangdrahts an eine bereits vorhandene Ankerschraube können zum Höhenausgleich zwei Distanzmuttern verwendet werden.



Schritt 4

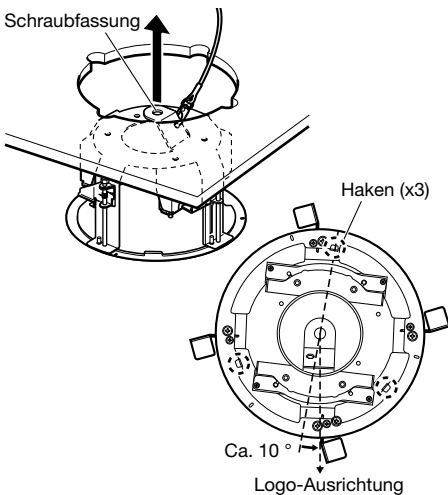
Den Fangdraht wie abgebildet am Einbaurahmen befestigen.



Schritt 5

Die Ankerschraube (zum Sichern des Einbaurahmens) in die Montagebohrung des Einbaurahmens einsetzen.

Die Einbaurahmens drehen, um das i-PRO-Logo auf der Abdeckblende in die richtige Position zu bringen. Das i-PRO-Logo ist richtig positioniert, wenn es ca. 180 ° gegen den Haken auf der gegenüberliegenden Seite der Abdeckblende versetzt ist.



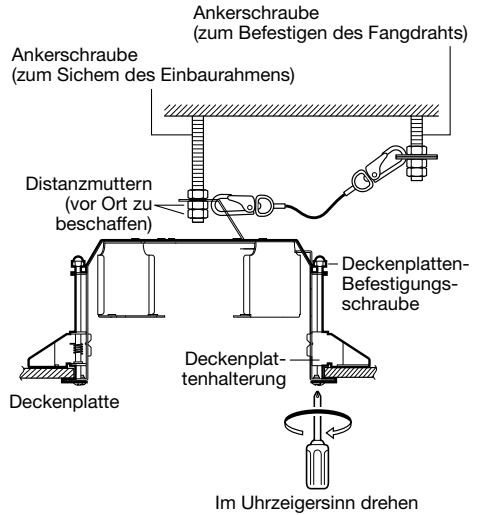
Schritt 6

Den Einbaurahmen mit den Deckenplatten-Befestigungsschrauben (4 Stellen) an der Deckenplatte montieren.

Durch Drehen der Deckenplatten-Befestigungsschrauben im Uhrzeigersinn wird die Verbindung zwischen der Unterseite des Einbaurahmens und der Deckenplattenhalterung hergestellt und der Einbaurahmen gesichert. (Empfohlenes Anzugsmoment: 0,78 N·m)

WICHTIG:

- Beim Befestigen der Halterung an der Decke sicherstellen, dass die 4 Deckenplattenhalterungen offen sind, wie in folgender Abbildung gezeigt.



Schritt 7

Die Ankerschraube (zum Sichern des Einbaurahmens) mit Distanzmutter (vor Ort zu beschaffen) sichern.

Schritt 8

Nach der für das jeweilige Kameramodell beschriebenen Verfahrensweise vorgehen.

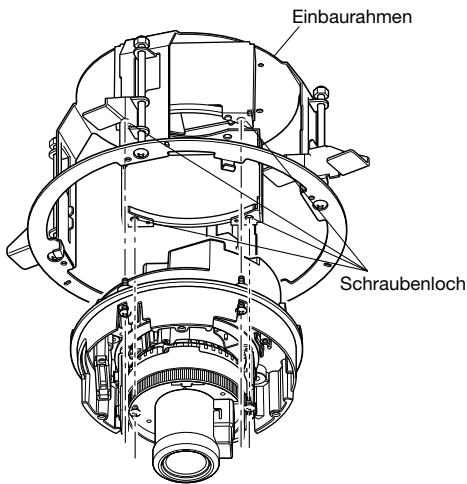
<Installation der WV-NW484S>

- ① Die Befestigungsschrauben des Kameragehäuses mit dem der Kamera beiliegenden Schraubendrehereinsatz entfernen und das Gehäuse von der Kamera abnehmen.

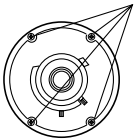
WICHTIG:

- Siehe auch die Bedienungsanleitung der Kamera.

- ② Die Kameraanschlüsse herstellen.
- ③ Die Schraubenbohrungen im Einbaurahmen auf die 4 Befestigungsschrauben der Kamera ausrichten und die Schrauben festziehen.
(Empfohlenes Anzugsmoment: 0,78 N·m)



Schrauben für Kamera



Anmerkung:

- Der mit der Kamera gelieferte Einbaurahmen wird nicht verwendet.

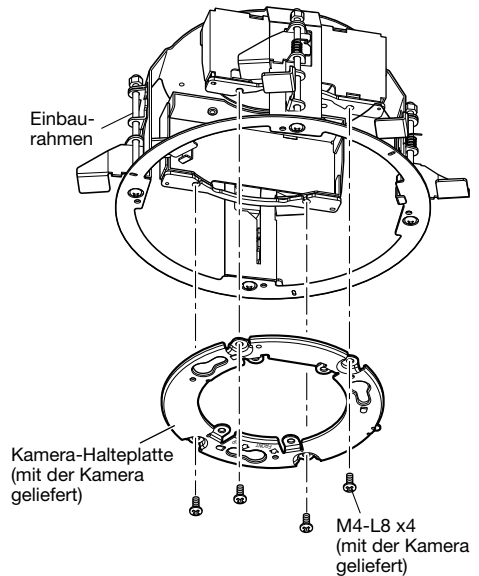
- ④ Das Kameragehäuse auf der Kamera montieren.

<Installation der WV-CW504F, WV-CW504S, WV-NW502S>

- ① Die Kamera-Halteplatte (mit der Kamera geliefert) am Einbaurahmen befestigen.

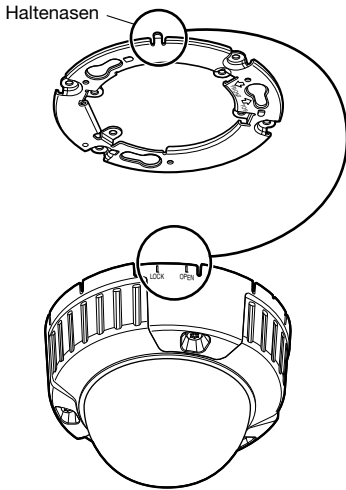
Die -Kamera-Halteplatte gemäß Abbildung mit 4 Schrauben M4-L8 (mit der Kamera geliefert) sichern.

(Empfohlenes Anzugsmoment: 0,78 N·m)



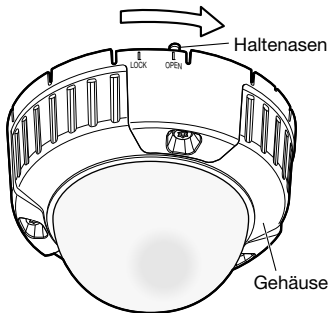
- ② Die Kamerakabel anschließen.

- ③ Die Markierung "OPEN" an der Kamera mit dem Haltenasen an der Kamera-Halteplatte ausrichten.



Die Kamera mit der Kamera-Halteplatte in Eingriff bringen.

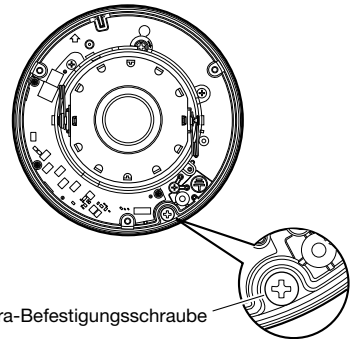
- ④ Die Kamera so in Pfeilrichtung drehen, dass der Haltenasen an der Kamera-Halteplatte mit der Position "LOCK" fluchtet und sie fest und spielfrei mit der Kamera-Halteplatte verbunden ist.



- ⑤ Die Befestigungsschrauben des Kameragehäuses mit dem Schraubendrehereinsatz (mit der Kamera geliefert) lösen und das Gehäuse von der Kamera abnehmen. Die Kamera mit der Kamera-Befestigungsschraube (rot) an der Kamera-Halteplatte sichern. (Empfohlenes Anzugsmoment: 0,78 N·m)

WICHTIG:

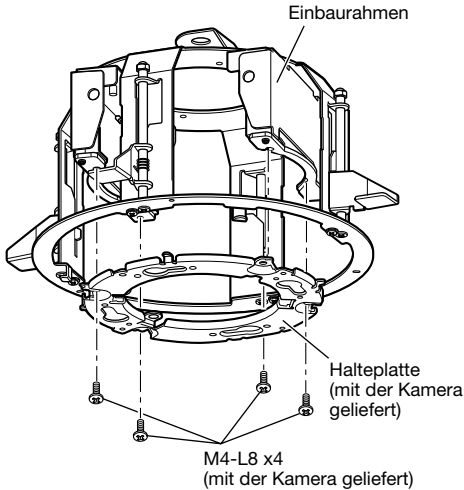
- Die Kamera-Befestigungsschrauben müssen gut festgezogen werden. Andernfalls kann die Kamera durch Eindringen von Wasser beschädigt werden oder herunterfallen und Verletzungen verursachen. (Empfohlenes Anzugsmoment: 0,78 N·m)



- ⑥ Die Kamera einstellen. Siehe die Bedienungsanleitung der Kamera.
- ⑦ Die Befestigungsschrauben des Kameragehäuses mit dem Schraubendrehereinsatz (mit der Kamera geliefert) festziehen und das Gehäuse auf der Kamera montieren.

**<Installation der WV-SFV631L,
WV-SFV611L>**

- ① Die Halteplatte (mit der Kamera geliefert) am Einbaurahmen befestigen. Die Halteplatte gemäß Abbildung mit 4 Schrauben M4-L8 (mit der Kamera geliefert) sichern. (Empfohlenes Anzugsmoment: 0,78N·m)

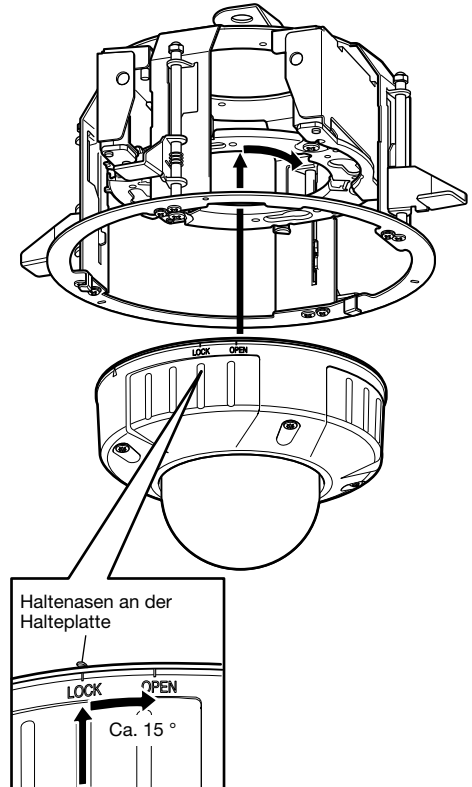


- ② Die Kamerakabel anschließen.

- ③ Die Markierung "OPEN" an der Kamera mit dem Haltenasen an der Halteplatte ausrichten.

Zum Montieren der Kamera die Halteplatten-Befestigungsschrauben in die Öffnungen in der Halteplatte einsetzen.

Die Kamera so in Pfeilrichtung drehen, dass der Haltenasen an der Halteplatte mit der Position "LOCK" fluchtet und sie fest und spielfrei mit der Halteplatte verbunden ist.



- ④ Die 4 Gehäuse-Befestigungsschrauben mit dem (mit der Kamera gelieferten) Einsatz lösen.
Das Gehäuse von der Kamera abnehmen und die Kamera mit einer Kamera-Befestigungsschraube sichern.

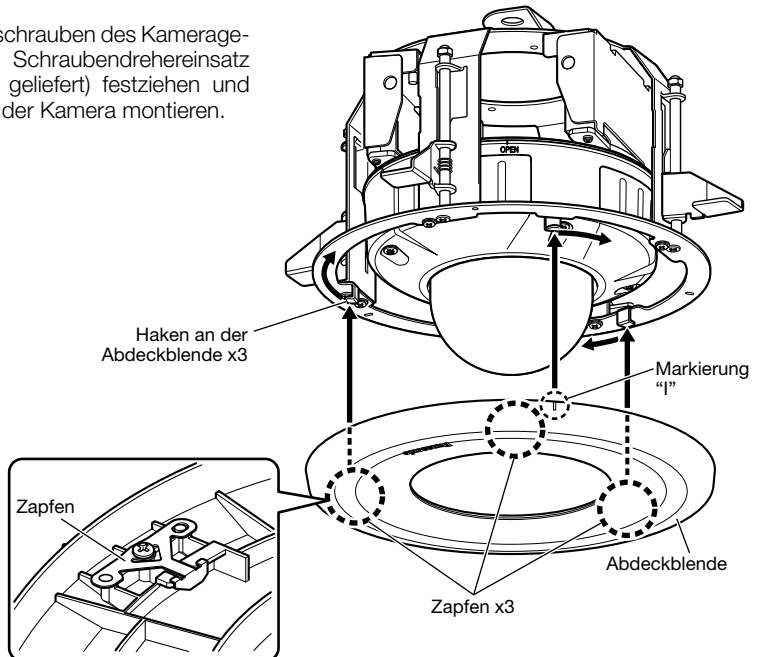
WICHTIG:

- Die Kamera-Befestigungsschraube festziehen. Andernfalls kann die Kamera herunterfallen und beschädigt werden. (Empfohlenes Anzugsmoment: 0,78 N·m)
- ⑤ Den Kamerawinkel mithilfe der Neigungsplatte und des Azimutrings einstellen; anschließend den Betrachtungswinkel mit den Tasten WIDE und TELE einrichten. Siehe das Installationshandbuch der Kamera.
- ⑥ Die Befestigungsschrauben des Kameragehäuses mit dem Schraubendrehereinsatz (mit der Kamera geliefert) festziehen und das Gehäuse auf der Kamera montieren.

Schritt 9

Die Abdeckblende an der Montagehalterung befestigen.

- Zum Befestigen der mit dem Einbaurahmen gelieferten Abdeckblende die daran befindliche Markierung "I" mit dem Haken am Einbaurahmen ausrichten, die Abdeckblende an die Decke pressen und von unten gesehen im Uhrzeigersinn drehen.
- Zwei verschiedene Abdeckblenden liegen bei. Für die Modelle WV-SFV631L und WV-SFV611L die Abdeckblende verwenden, deren für die Glockenabdeckung bestimmte Öffnung den kleineren Durchmesser hat. Für die anderen Modelle die Abdeckblende mit dem größeren Durchmesser verwenden.



Technische Daten

Umgebungstemperatur:	-45 °C to +50 °C
Abmessungen:	211,3 mm Durchmesser x 133,8 mm Einbindtiefe
Gewicht:	Ca. 870 g
Lackierung:	Gehäuse: Metall
Abdeckblende:	ABS-Kunstharz mit hell Silberner Beschichtung

Standardzubehör

Bedienungsanleitung (vorliegendes Heft) 1 St.

Für die Installation sind folgende Teile erforderlich:

Fangdraht.....	1 St.
Fangdraht-Haltewinkel.....	1 St.
Schablone A.....	1 St.
Schablone B.....	1 St.
Abdeckblenden	2 St.

Table des matières

Caractéristiques dominantes	28
Mesures de précaution.....	29
Précautions d'installation	30
Principaux organes de commande	32
Installations	33
Caractéristiques techniques.....	40
Accessoires standard.....	40

Caractéristiques dominantes

Le modèle WV-Q169A est une platine de fixation encastrée en plafond exclusivement conçue pour l'installation de la caméra vidéo couleur CCTV et la caméra vidéo de réseau au plafond. Pour obtenir de plus amples informations sur les modèles compatibles, se référer au catalogue ou au manuel d'utilisation de la caméra vidéo. Cette platine de fixation peut être utilisée pour une installation sur une surface possédant une faible résistance à la traction telle qu'une plaque de plâtre dans un double plafond tandis que ce type encastré offre l'avantage de rendre la partie visible de la caméra vidéo plus petite.

* Il est possible d'utiliser la WV-Q169A au lieu de la WV-Q169 pour les modèles présentant la WV-Q169 comme un élément optionnel disponible.

Mesures de précaution

Confier les travaux d'installation au distributeur.

Les travaux d'installation exigent des connaissances techniques et de l'expérience.

Le fait de ne pas observer ceci peut engendrer un incendie, provoquer une décharge électrique, des blessures voire endommager ce produit.

Faire en sorte de consulter le distributeur.

Éviter d'installer cette platine de fixation d'installation dans des emplacements où des dégâts par le sel se produisent ou du gaz corrosif est produit.

Dans le cas contraire, les parties servant à l'installation se détérioreront et des accidents tels qu'une chute de ce produit peuvent se produire.

Les vis et les boulons doivent être serrés au couple indiqué.

Un desserrage des vis de fixation ou des boulons peut engendrer une chute du produit et ceci peut occasionner des blessures ou provoquer des accidents.

Ne pas utiliser cette platine de fixation d'installation excepté avec les caméras vidéo appropriées.

Le fait de ne pas respecter cette recommandation risque d'entraîner une chute capable de blesser quelqu'un.

Sélectionner un secteur d'installation capable de supporter le poids total.

Le fait de sélectionner une surface inadéquate pour l'installation peut provoquer la chute de ce produit ou qu'il se renverse, ceci ayant pour résultat de blesser quelqu'un ou engendrer des accidents.

Les travaux d'installation ne doivent commencer qu'après le renforcement suffisant de la surface d'accueil.

Ne jamais frotter le bord des parties métalliques à mains nues.

Le fait de frotter vigoureusement peut provoquer des blessures.

Des inspections périodiques doivent être effectuées.

Une formation de rouille sur les parties métalliques ou sur les vis peut engendrer une chute du produit ou provoquer des accidents.

Se mettre en rapport avec le distributeur en ce qui concerne les inspections à faire.

Les mesures de protection nécessaires contre toute chute de ce produit doivent être prises.

Le fait de ne pas respecter cette recommandation risque d'entraîner une chute capable de blesser quelqu'un ou provoquer des accidents. Ne pas oublier d'installer le câble de sécurité.

La platine de fixation d'installation exclusivement conçue doit être utilisée.

Le fait de ne pas respecter cette recommandation risque d'entraîner une chute capable de blesser quelqu'un ou provoquer des accidents. Utiliser la platine de fixation d'installation exclusivement conçue pour l'installation.

Ne pas installer le produit dans des emplacements soumis à des vibrations.

Un desserrage des vis de fixation ou des boulons peut engendrer une chute du produit et ceci peut occasionner des blessures ou provoquer des accidents.

Ne pas frapper ni soumettre ce produit à des chocs violents.

Le fait de ne pas respecter cette précaution risque d'aboutir à des blessures voire de créer un incendie.

Installer ce produit dans un endroit suffisamment élevé pour éviter que des personnes et des objets se cognent ou se butent dans le produit.

Le fait de ne pas respecter cette précaution risque d'aboutir à des blessures.

Ne pas se suspendre à partir de ce produit ni utiliser ce produit comme piédestal.

Le fait de ne pas respecter cette recommandation risque d'engendrer la chute de l'appareil et de résulter par des accidents.

Précautions d'installation

Tous les travaux d'installation pour ce produit doivent être réalisés par des techniciens qualifiés ou des installateurs de système confirmés.

i-PRO Co., Ltd. n'assume aucune responsabilité en cas de dommages corporels ou matériels résultant de pannes dues à une installation incorrecte ou à une utilisation contraire à ce qui est indiqué dans cette documentation.

L'installation doit être conforme au code électrique local.

Ce produit est conçu pour être installé à l'intérieur.

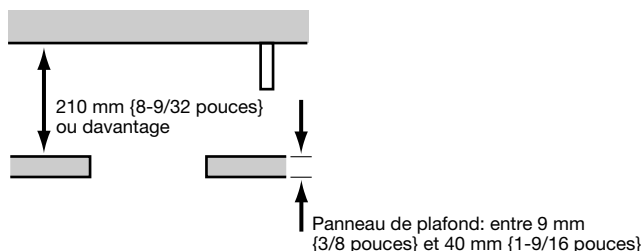
Ce produit ne peut pas être mis en service à l'extérieur.

Ce produit ne doit pas être exposé directement au soleil pendant des heures ni ne doit être installé près d'un appareil de chauffage ou d'un système d'air conditionné.

Sinon, cela risque de provoquer une déformation, une décoloration voire une panne. Conserver ce produit loin de l'eau et de l'humidité.

Secteur d'installation pour ce produit

- Il convient de s'assurer que la surface d'installation est suffisamment robuste pour supporter le poids total de l'ensemble de caméra vidéo avant de procéder à l'installation.
- Le secteur d'installation doit pouvoir aménager 210 mm {8-9/32 pouces} ou davantage d'espace derrière le plafond.
- L'épaisseur du panneau de plafond sélectionné pour faire l'installation peut se situer dans les limites de 9 à 40 mm {3/8 pouces à 1-9/16 pouces}.



Ne pas placer ce produit dans les emplacements suivants:

- Emplacements où il risque d'être mouillé par la pluie ou par des éclaboussures d'eau (sous des gouttières y compris, etc.)
- Emplacements où un agent chimique est utilisé comme dans le cas d'une piscine
- Emplacements en présence d'humidité à d'émanations d'huile comme dans le cas d'une cuisine
- Emplacements situés dans un environnement particulier pouvant être exposé à une atmosphère où il existe des produits inflammables ou des solvants
- Emplacements où un rayonnement, des rayons X, des puissantes ondes radio ou un champ magnétique intense est produit
- Emplacements où du gaz corrosif est produit, emplacements où il peut être endommagé par de l'air saumâtre tel qu'en bord de mer
- Emplacements où la température ne se trouve pas dans les limites de la gamme spécifiée (-45 °C à +50 °C {-49 °F à 122 °F})
- Emplacements sujets aux vibrations, comme dans le cas d'une installation sur des véhicules, des navires maritimes ou au-dessus de chaînes de production (ce produit n'est pas conçu être utilisé en mode d'installation sur véhicule.)
- Emplacements soumis à une condensation résultant d'importants changements de température

Se procurer les boulons d'ancrage séparément.

Un boulon d'ancrage servant à l'installation de la platine de fixation d'installation sur un plafond n'est pas fourni avec la platine de fixation d'installation au plafond.

Se les procurer en fonction des matériaux et de la résistance de la surface appelée à accueillir le produit.

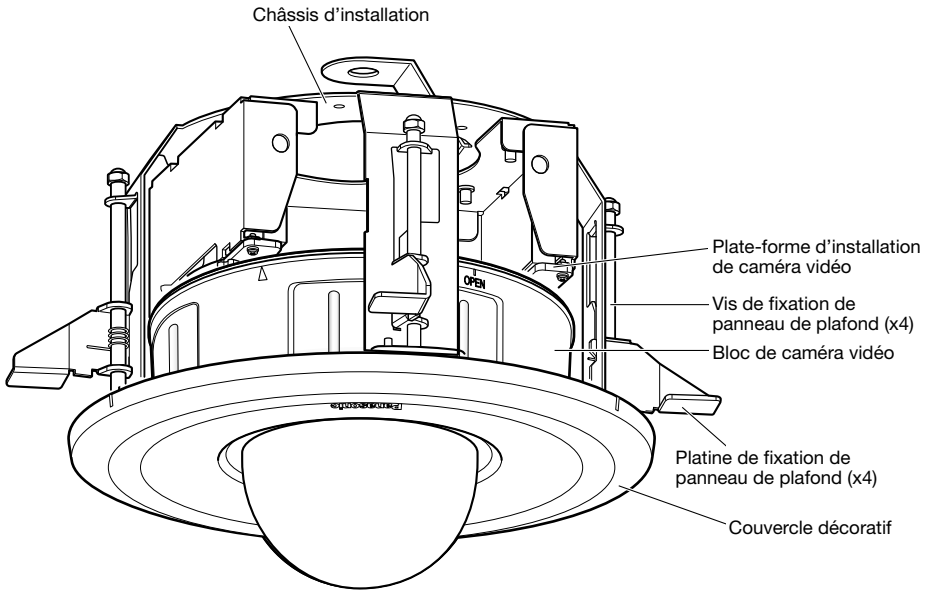
- Boulon d'ancrage: M10, recommandé
- Capacité de dégagement minimum exigée: S'assurer que plus de 5 fois le poids total comprenant le boîtier de la caméra vidéo peuvent être supportés.

Serrage des vis de fixation et des boulons

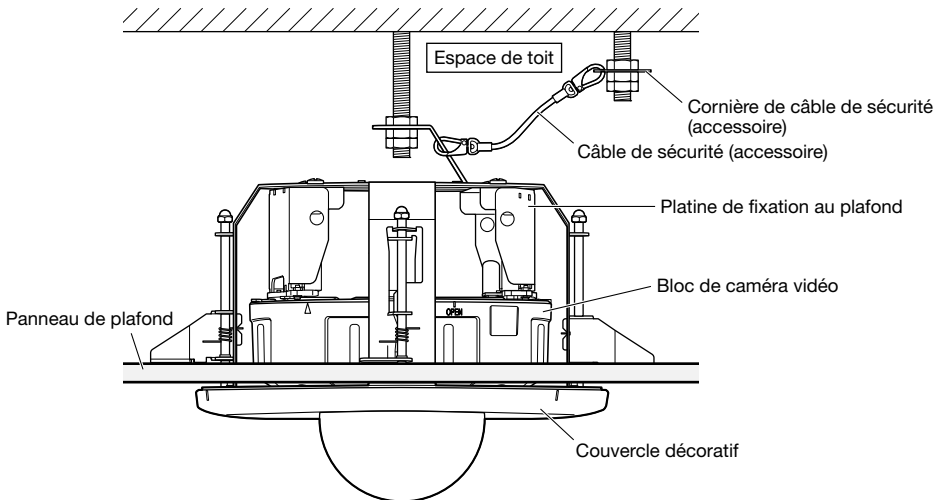
- Les vis de fixation et les boulons d'installation doivent être serrés au couple de serrage approprié en fonction des matériaux et de la résistance de la surface appelée à accueillir le produit.
- Ne pas se servir d'un tournevis à percussion à impact. L'utilisation d'un tournevis à percussion risque d'endommager les vis ou d'engendrer un serrage excessif.
- Quand une vis est serrée, faire en sorte que la vis se trouve à angle droit par rapport à la surface. Dès que le serrage des vis de fixation ou des boulons est terminé, procéder à des vérifications afin de s'assurer que le serrage est suffisant de telle sorte qu'il n'y ait aucun mouvement ou jeu des éléments installés.

Faire en sorte de retirer sans faute ce produit s'il n'est plus utilisé.

Principaux organes de commande



<Exemple d'installation>



Installations

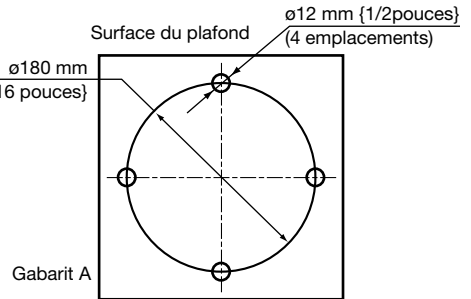
Faire en sorte de lire les “Mesures de précaution” (☞ page 29) et les “Mesures de précaution pour l’installation” (☞ page 30) avant de procéder à l’installation. Lire également le manuel d’utilisation de la caméra vidéo à installer.

Étape 1

Placer le gabarit A (accessoire) contre la surface au plafond et percer une ouverture.

- ① Percer 4 trous de 12 mm {1/2 pouces} de diamètre.
- ② Retirer la partie centrale du gabarit.
- ③ Percer un trou de 180 mm {7-1/16 pouces} de diamètre.

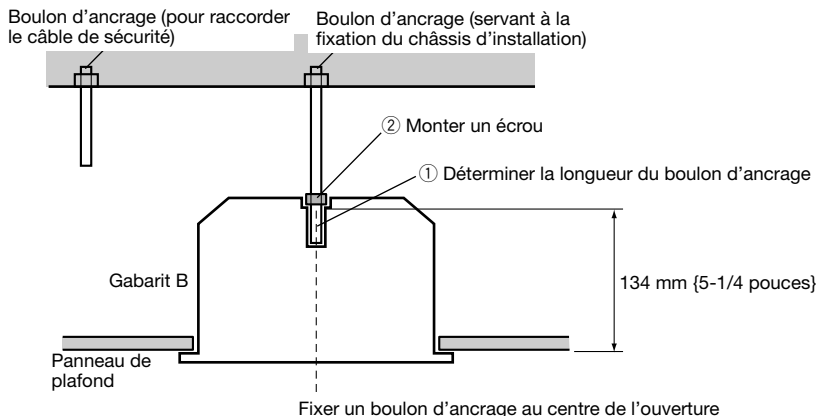
Les ouvertures percées au plafond sont indiquées sur le schéma ci-contre à droite. →



Étape 2

Fixer deux boulons d’ancrage (à se procurer localement M10 recommandé) dans le plafond. Un ancrage est utilisé pour fixer le châssis d’installation et l’autre ancrage est utilisé pour connecter le câble de sécurité.

- ① Déterminer la longueur du boulon d’ancrage (servant à la fixation du châssis d’installation) en utilisant le gabarit B (accessoire).
- ② Placer l’écrou au moyen du gabarit B (accessoire) et monter l’écrou. (La distance entre les surfaces de base du panneau de plafond et l’écrou de fixation doit être de 134 mm {5-1/4 pouces}.)



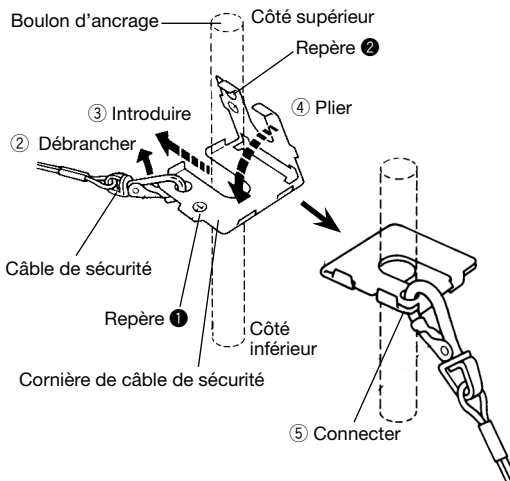
IMPORTANT:

- La résistance à la traction du boulon d'ancrage devrait être supérieure de plus de 5 fois le poids total des appareils installés (ceci comprenant le bloc de caméra vidéo, la platine de fixation au plafond, les boulons d'ancrage et toutes autres pièces utilisées).
- Quand le boulon d'ancrage existant est utilisé comme boulon d'ancrage pour connecter le câble de sécurité, s'assurer que la distance entre le boulon d'ancrage et la position de fixation de la caméra vidéo est de 1 m {3,28 feet} ou moins.

Étape 3

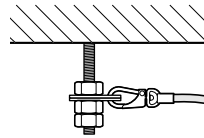
Fixer la cornière du câble de sécurité (accessoire) au boulon d'ancrage (servant au raccordement du câble de sécurité) et raccorder le câble de sécurité (accessoire).

- ① Fixer un écrou de telle sorte que la cornière du câble de sécurité soit solidement fixée sur le boulon d'ancrage.
- ② Débrancher le câble de sécurité de la cornière de câble de sécurité.
- ③ Engager la surface identifiée par ① sur le boulon d'ancrage.
- ④ Replier la surface identifiée par ②.
- ⑤ Raccorder à nouveau le câble de sécurité à la cornière du câble de sécurité.
- ⑥ Engager l'écrou en procédant par en dessous, puis fixer solidement la cornière de câble de sécurité avec les écrous du haut et du bas.
- ⑦ Engager un autre écrou en procédant par en dessous pour serrer et fixer l'écrou qui a été engagé par en dessous dans ⑥ suivant un double mode de fixation d'écrou.



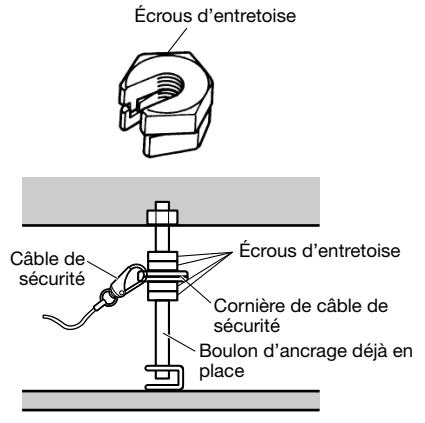
* L'écrou de fixation n'est pas représenté dans l'illustration ci-dessus.

<Image de raccordement de câble de sécurité>



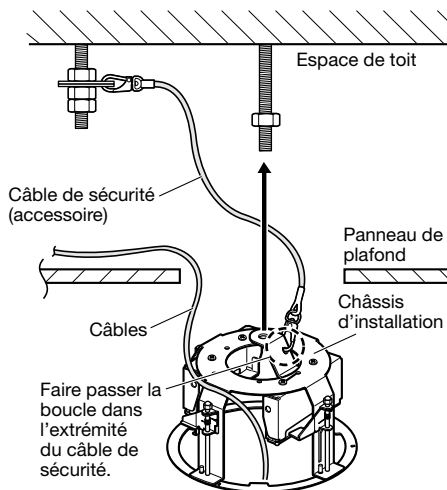
Remarque:

- Quand le boulon d'ancrage existant qui a été installé est utilisé pour raccorder le câble de sécurité, l'utilisation de 2 écrous à entretoise est utile.



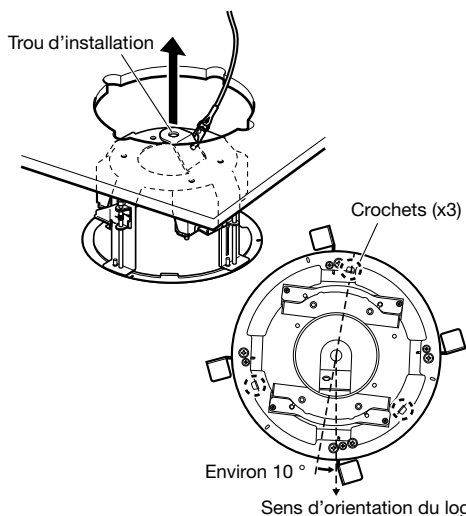
Étape 4

Attacher le câble de sécurité au châssis d'installation suivant les indications du schéma ci-dessous.



Étape 5

Insérer le boulon d'ancrage (servant à la fixation du châssis d'installation) dans le trou d'installation du châssis d'installation. Pour ajuster la position du logo i-PRO sur le couvercle décoratif, faire tourner le châssis d'installation. Noter que le logo i-PRO sera placé à approximativement 180 ° du bord opposé d'un crochet pour le couvercle décoratif.



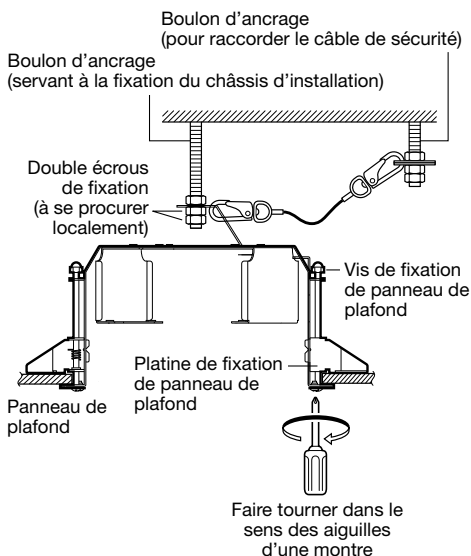
Étape 6

Fixer solidement le châssis d'installation sur le panneau de plafond avec les vis de fixation de panneau de plafond (à 4 emplacements). Le fait de tourner les vis de fixation de panneau de plafond dans le sens des aiguilles d'une montre a pour effet de serrer le panneau de plafond entre le châssis d'installation et la platine de fixation de panneau de plafond, ce qui offre une fixation robuste du châssis d'installation.

(Couple de serrage recommandé:
0,78 N·m {0,58 lbf·ft})

IMPORTANT:

- Lorsque cette platine de fixation est fixée au plafond, il convient de s'assurer que les quatre platines de fixation de panneau de plafond sont ouvertes comme cela est représenté sur la figure.



Étape 7

Se servir des écrous de fixation double (à se procurer localement) pour fixer le châssis d'installation après avoir introduit le boulon d'ancrage (servant à fixer le châssis d'installation).

Étape 8

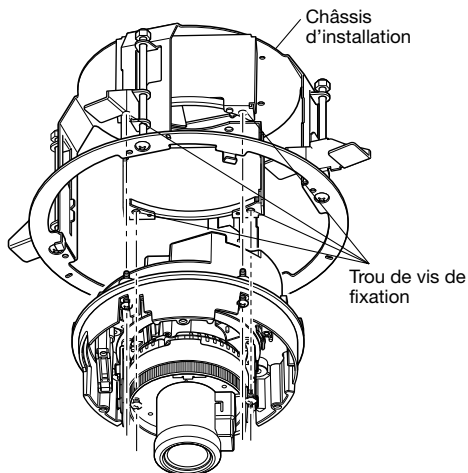
Suivre la procédure selon le modèle de caméra vidéo à installer.

<Installation de WV-NW484S>

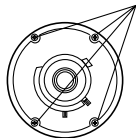
- ① Se servir du foret de tournevis fourni avec la caméra vidéo pour retirer les vis de fixation qui retiennent le coffret de caméra vidéo et séparer le coffret du bloc principal de la caméra vidéo.

IMPORTANT:

- Se référer également au manuel d'utilisation de la caméra vidéo.
- ② Réalisation du câblage de la caméra vidéo.
 - ③ Aligner les trous de vis de fixation du châssis d'installation avec les 4 vis de fixation du bloc principal de la caméra vidéo et les serrer.
(Couple de serrage recommandé: 0,78 N·m {0,58 lbf·ft})



Vis de fixation de bloc principal de caméra vidéo



Remarque:

- La platine de fixation d'installation de caméra vidéo fournit avec la caméra vidéo n'est pas utilisée.

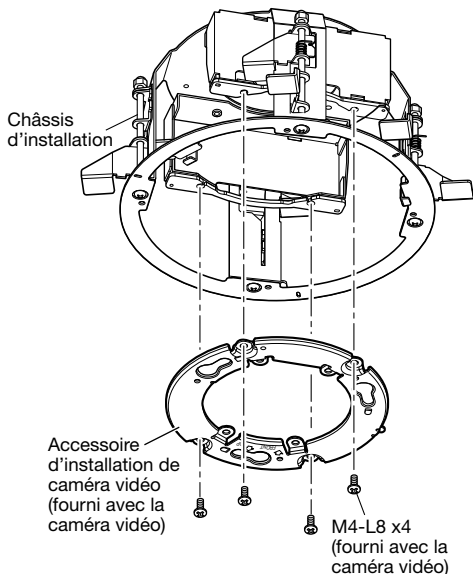
- ④ Installer le coffret de caméra vidéo sur le bloc principal de caméra vidéo.

<Installation de WV-CW504F, WV-CW504S, WV-NW502S>

- ① Installer l'accessoire d'installation de caméra vidéo (fourni avec la caméra vidéo) sur ce châssis.

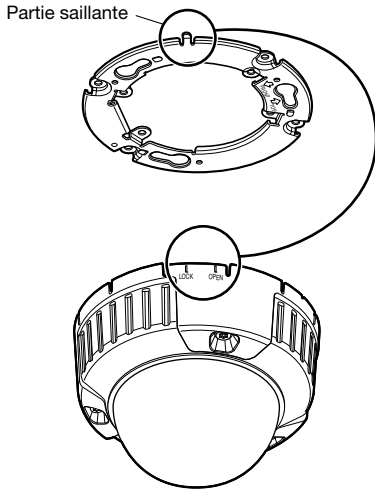
Se servir des 4 vis de fixation M4-L8 (fournies avec la caméra vidéo) pour fixer fermement l'accessoire d'installation de caméra vidéo comme représenté sur le schéma.

(Couple de serrage recommandé: 0,78 N·m {0,58 lbf·ft})



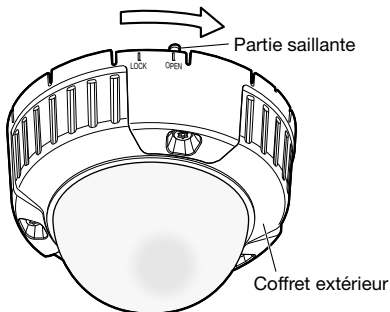
- ② Raccorder les câbles de caméra vidéo.

- ③ Aligner l'indication "OPEN" de la caméra vidéo avec la partie saillante de l'accessoire d'installation de caméra vidéo.



Engager la caméra vidéo sur l'accessoire d'installation de caméra vidéo.

- ④ Faire tourner la caméra vidéo dans le sens de la flèche jusqu'à ce que la partie saillante de l'accessoire d'installation de caméra vidéo soit aligné avec la position "LOCK" afin d'éliminer tout jeu de retour entre la caméra vidéo et l'accessoire de fixation de caméra vidéo.



- ⑤ Se servir du foret de tournevis (fourni avec la caméra vidéo) pour desserrer les vis de fixation qui retiennent le coffret de caméra vidéo et séparer le coffret du bloc principal de la caméra vidéo.

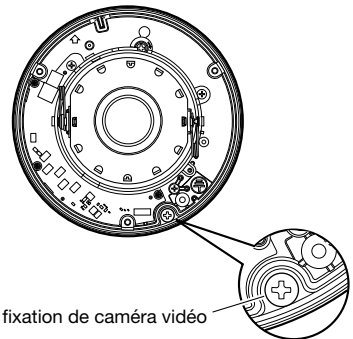
Fixer solidement la caméra vidéo à l'accessoire de fixation de caméra vidéo à l'aide de la vis de fixation de caméra vidéo (rouge).

(Couple de serrage recommandé: 0,78 N·m {0,58 lbf-ft})

IMPORTANT:

- La vis de fixation de caméra vidéo doit être serrée fermement. Autrement, l'exposition à l'eau peut causer des dégâts voire une panne de la caméra vidéo ou bien une chute de la caméra vidéo peut avoir comme conséquence de blesser quelqu'un.

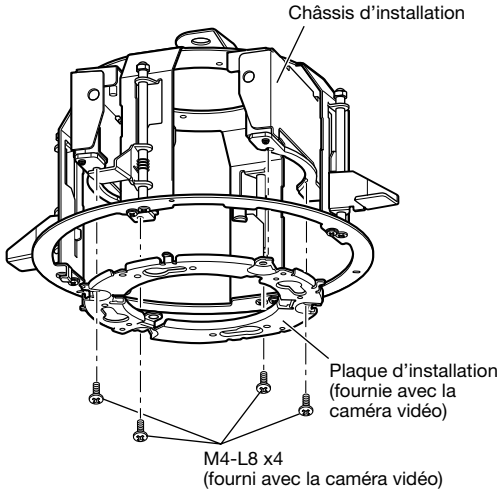
(Couple de serrage recommandé: 0,78 N·m {0,58 lbf-ft})



- ⑥ Régler la caméra vidéo. Se référer au manuel de la caméra vidéo.
- ⑦ Se servir du foret de tournevis (fourni avec la caméra vidéo) pour serrer les vis de fixation qui retiennent le coffret de caméra vidéo et installer le coffret sur le bloc principal de la caméra vidéo.

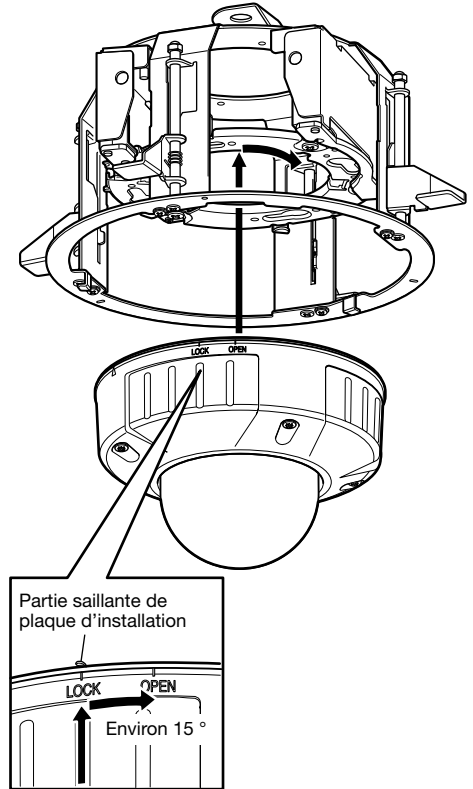
**<Installation de WV-SFV631L,
WV-SFV611L>**

- ① Installer la plaque d'installation (fournie avec la caméra vidéo) sur ce châssis d'installation. Se servir des 4 vis de fixation M4-L8 (fournies avec la caméra vidéo) pour fixer fermement la plaque d'installation comme représenté sur le schéma.
(Couple de serrage recommandé:
0,78 N·m {0,58 lbf·ft})



- ② Raccorder les câbles de caméra vidéo.

- ③ Aligner l'indication "OPEN" de la caméra vidéo avec la partie saillante de la plaque d'installation.
Installer la caméra vidéo en insérant les vis de fixation d'installation dans les trous de la plaque de d'installation.
Faire tourner la caméra vidéo dans le sens de la flèche jusqu'à ce que la partie saillante de la plaque d'installation soit alignée avec la position "LOCK" afin d'éliminer tout jeu de retour entre la caméra vidéo et la plaque d'installation.



- ④ Desserrer les 4 vis de fixation du coffret en utilisant le foret (fourni avec la caméra vidéo).
Retirer le coffret de la caméra vidéo et fixer la caméra vidéo en utilisant les vis de fixation de caméra vidéo.

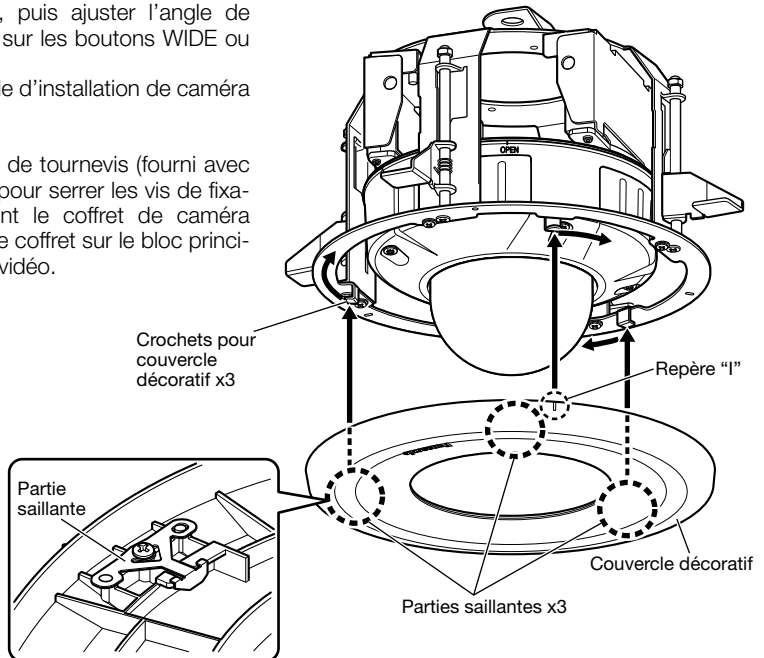
IMPORTANT:

- Bloquer sans faute la vis de fixation de caméra vidéo. Le fait de ne pas respecter cette recommandation risque d'entraîner une panne de la caméra vidéo en raison de la chute de la caméra vidéo.
(Couple de serrage recommandé: 0,78 N·m {0,58 lbf·ft})
- ⑤ Ajuster l'angle d'orientation de la caméra vidéo avec la table d'inclinaison, la table de réglage panoramique et la bague de réglage d'azimut, puis ajuster l'angle de vue en appuyant sur les boutons WIDE ou TELE.
Se référer au guide d'installation de caméra vidéo.
- ⑥ Se servir du foret de tournevis (fourni avec la caméra vidéo) pour serrer les vis de fixation qui retiennent le coffret de caméra vidéo et installer le coffret sur le bloc principal de la caméra vidéo.

Étape 9

Monter le couvercle décoratif sur cette platine de fixation.

- Aligner le repère "I" du couvercle décoratif fourni avec ce châssis d'installation avec le crochet du châssis d'installation, repousser le couvercle décoratif contre le plafond, puis faire tourner le couvercle décoratif dans le sens des aiguilles d'une montre en le visualisant du dessous pour fixer fermement le couvercle.
- Deux types de couvercles décoratifs sont fournis. Pour les modèles WV-SFV631L et WV-SFV611L, utiliser celui dont le diamètre de l'ouverture pour le couvercle en dôme est plus petit. Pour les autres modèles, utiliser celui dont le diamètre d'ouverture est plus grand.



Caractéristiques techniques

Température ambiante:	-45°C à +50°C {-49°F à 122°F}
Dimensions:	211,3 mm {8-5/16 pouces} de diamètre x 133,8 mm {5-9/32 pouces} dans la profondeur d'encastrement
Poids:	Environ 870 g {1,92 lbs}
Finition:	Bloc principal: Métal
Couvercle décoratif:	Résine ABS avec un revêtement argent clair

Accessoires standard

Manuel d'utilisation (cette documentation)1 él.

Les éléments suivants sont utilisés pour effectuer l'installation.

Câble de sécurité	1 él.
Cornière de câble de sécurité	1 él.
Gabarit A	1 él.
Gabarit B	1 él.
Couvercles décoratifs	2 él.

Índice

Características	41
Precauciones.....	42
Precauciones para la instalación.....	43
Principales controles de operación.....	45
Instalaciones	46
Especificaciones	53
Accesorios estándar.....	53

Características

La WV-Q169A es una ménsula empotrada en el techo que está exclusivamente diseñada para montar en el techo la cámara CCTV en color y la cámara de red. Consulte el catálogo o el manual de instrucciones de la cámara para encontrar más información sobre los modelos compatibles. Esta ménsula puede utilizarse para un lugar con poca resistencia de soporte, como pueda ser una placa de yeso de un techo doble, y el tipo empotrado hace que sea menor la parte visible de la cámara.

* Puede emplearse la WV-Q169A en lugar de la WV-Q169 para los modelos que presentan la WV-Q169 como una parte disponible como accesorio opcional.

Precauciones

Solicite el trabajo de instalación al distribuidor.

Es necesario poseer técnica y experiencia para realizar el trabajo de instalación.

Si no lo hace así, pueden ocasionarse incendios, descargas eléctricas, heridas, o daños en el producto.

Consúltelo sin falta al distribuidor.

No instale esta ménsula en lugares propicios a daños producidos por el salitre ni en los que se produzcan gases corrosivos.

De lo contrario, se deteriorarían las partes de montaje y podrían ocurrir accidentes tales como la caída de este producto.

Los tornillos y los pernos deberán apretarse a la torsión especificada.

La flojedad de los tornillos o pernos de montaje puede ocasionar la caída del producto y el riesgo de sufrir heridas o accidentes.

No emplee esta ménsula si no es con las cámaras adecuadas.

Si no lo hace así, puede producirse una caída que presentará peligro de heridas.

Seleccione un lugar de instalación que pueda soportar el peso total.

La selección de una superficie de instalación inadecuada puede causar la caída o el desprendimiento de este producto, pudiendo ocasionar lesiones o accidentes.

El trabajo de instalación deberá comenzarse después de haber reforzado suficientemente la superficie.

No frote los bordes de las partes metálicas con las manos.

El frotamiento fuerte podría causar lesiones.

Deberán llevarse a cabo inspecciones periódicas.

La corrosión de las partes metálicas o de los tornillos puede ocasionar la caída del producto y el riesgo de sufrir heridas o accidentes.

Consulte a su distribuidor para las inspecciones.

Deberán tomarse medidas de protección contra la caída de este producto.

Si no lo hace así, puede producirse una caída que presentará peligro de heridas u otros accidentes.

Asegúrese de instalar el cable de seguridad.

Deberá utilizar la ménsula de montaje exclusivamente diseñada.

Si no lo hace así, puede producirse una caída que presentará peligro de heridas u otros accidentes.

Emplee la ménsula de montaje exclusivamente diseñada para realizar la instalación.

No instale este producto en lugares sujetos a vibraciones.

La flojedad de los tornillos o pernos de montaje puede ocasionar la caída del producto y el riesgo de sufrir heridas o accidentes.

No golpee este producto y procure que no reciba otros golpes fuertes.

Si no sigue esta indicación, correrá peligro de incendios o heridas.

Instale este producto en un lugar lo suficientemente alto para que ninguna persona ni objeto puedan golpear el producto.

Si no sigue esta indicación, correrá peligro de heridas.

No se cuelgue de este producto ni emplee el producto como un pedestal.

Si no lo hace así, puede producirse una caída que presentará peligro de accidentes.

Precauciones para la instalación

Todo el trabajo relacionado con la instalación de este producto deberá efectuarlo personal de servicio técnico cualificado o el instalador del sistema.

i-PRO Co., Ltd. no se hace responsable de lesiones o daños a la propiedad que resulten de fallos derivados de una incorrecta instalación o funcionamiento que no se ajuste con esta documentación.

La instalación debe cumplir las regulaciones locales sobre electricidad.

Este producto ha sido diseñado para su utilización en interiores.

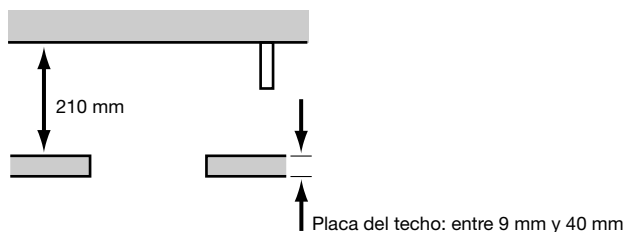
Este producto no puede funcionar al aire libre.

No exponga el producto a la luz directa del sol durante mucho tiempo y no la instale cerca de una estufa o acondicionador de aire.

De lo contrario, podría producirse deformación, decoloración y mal funcionamiento. Mantenga este producto alejada del agua y de la humedad.

Área de instalación para este producto

- Asegúrese de que el lugar de instalación sea suficientemente fuerte para poder soportar el peso total del conjunto de la cámara antes de realizar la instalación.
- El lugar de instalación deberá tener un espacio de 210 mm o más detrás del techo.
- El espesor de la placa del techo para la instalación deberá ser de 9 mm a 40 mm.



No ponga este producto en los lugares siguientes:

- Lugares en los que pueda mojarse con la lluvia o agua salpicada (incluyendo la parte inferior de los aleros, etc.)
- Lugares en los que se empleen productos químicos como en las piscinas
- Lugares sujetos a humedad a humo grasiento como en la cocina
- Lugares que tengan un entorno especial que estén sujetos a ambientes o solventes inflamables
- Lugares donde se genere radiación, rayos X, ondas de radio potentes o campos magnéticos fuertes
- Lugares en los que se produzca gas corrosivo, lugares en los que pueda dañarse debido al aire con salitre como en la costa del mar
- Lugares en los que la temperatura no esté dentro del margen especificado (-45°C a $+50^{\circ}\text{C}$).
- Lugares sujetos a vibraciones, como pueda ser en el interior de vehículos, embarcaciones o encima de líneas de producción (Este producto no está diseñado para ser empleado dentro de vehículos.)
- Lugares sometidos a condensación de humedad resultante de fuertes cambios de temperaturas

Adquiera pernos de anclaje por separado.

El perno de anclaje para montar la ménsula en un techo no se suministra con la ménsula de montaje en el techo.

Prepárelos de acuerdo con el material y la resistencia del lugar donde deba instalarse el producto.

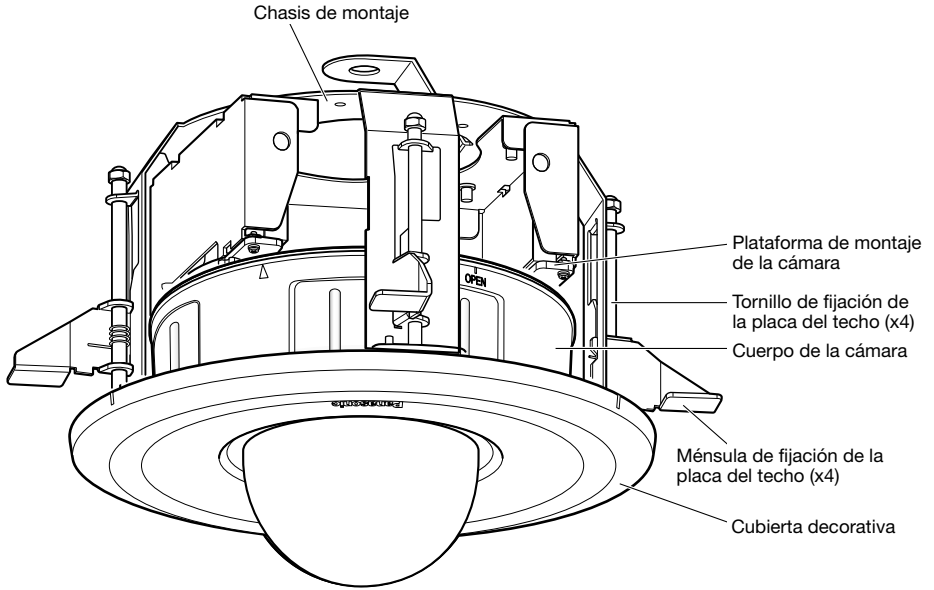
- Perno de anclaje: M10, recomendado
- Resistencia mínima al tiro hacia fuera: Asegúrese de tener resistencia para poder soportar más de 5 veces el peso total incluyendo el cuerpo de la cámara.

Apriete de los tornillos y pernos

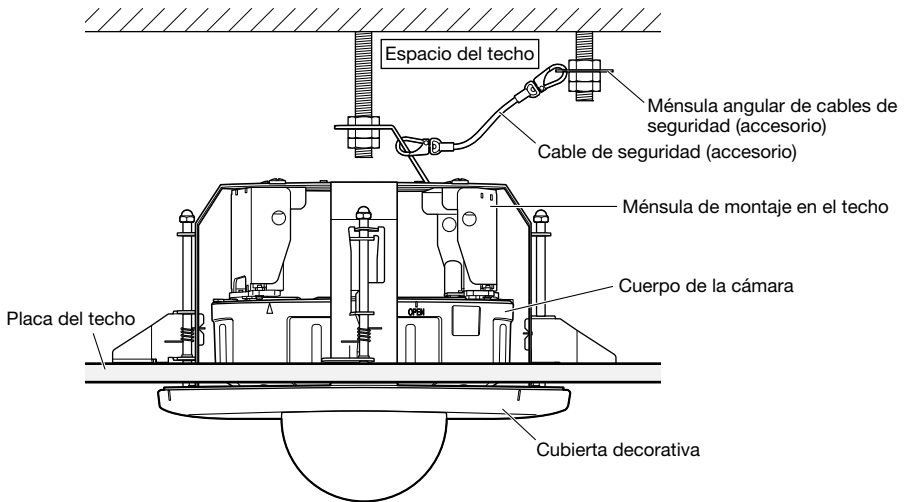
- Los tornillos y pernos deben apretarse a la torsión de apriete apropiada de acuerdo con el material y la resistencia del lugar de instalación.
- No emplee un destornillador de impacto. El empleo de un destornillador de impacto puede causar daños en los tornillos o su apriete excesivo.
- Cuando apriete un tornillo, póngalo en ángulo recto con respecto a la superficie. Después de haber apretado los tornillos o pernos, efectúe comprobaciones para asegurarse de que estén suficientemente apretados de modo que no se produzca movimiento ni flojedad.

No se olvide de desmontar este producto si no se propone seguir utilizándolo.

Principales controles de operación



<Ejemplo de instalación>



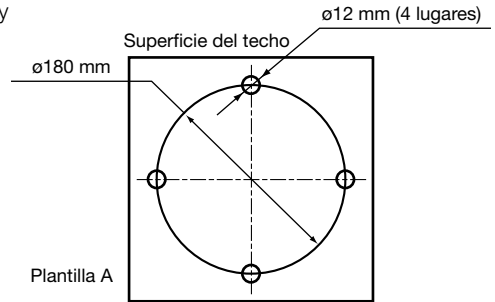
Instalaciones

Asegúrese de leer las “Precauciones” (☞ página 42) y las “Precauciones para la instalación” (☞ página 43) antes de la instalación. Lea también el manual de instrucciones de la cámara que se proponga instalar.

Paso 1

Ponga la plantilla A (accessoria) contra el techo y haga un orificio.

- ① Perfore 4 orificios de 12 mm de diámetro.
 - ② Extraiga la parte central de la plantilla.
 - ③ Perfore un orificio de 180 mm de diámetro.
- Los orificios del techo se muestran a la derecha. →

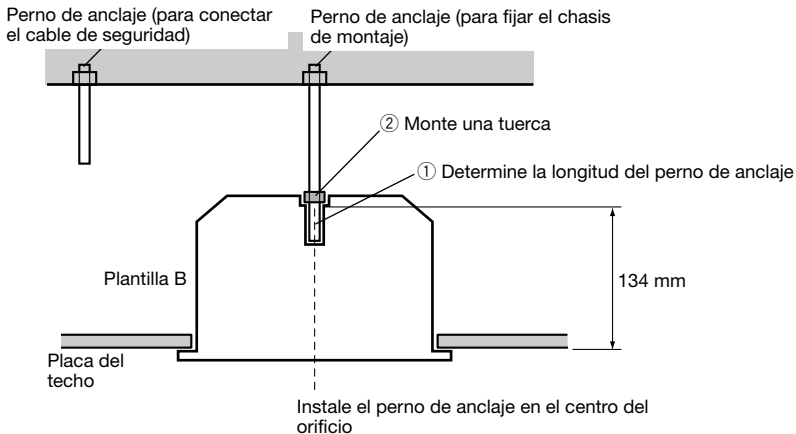


Paso 2

Instale dos pernos de anclaje (de venta en los establecimientos del ramo: M10 recomendados) en el techo.

Un anclaje se empleará para fijar el chasis de montaje, y el otro anclaje se empleará para conectar el cable de seguridad.

- ① Determine la longitud del perno de anclaje (para fijar el chasis de montaje) empleando la plantilla B (accessoria).
- ② Ubique la tuerca empleando la plantilla B (accessoria) e instale la tuerca. (La distancia entre las superficies inferiores de la placa del techo y de la tuerca deberá ser de 134 mm.)



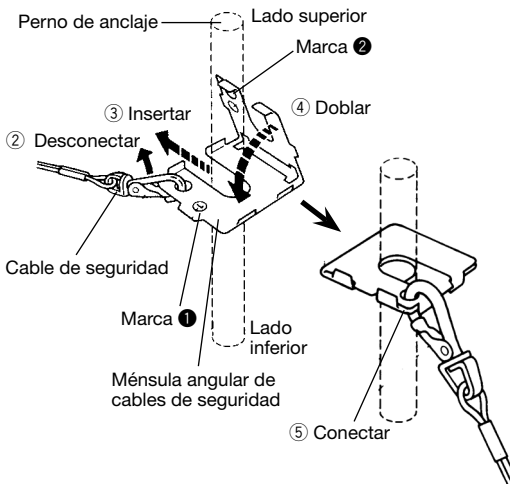
IMPORTANTE:

- La resistencia al tiro hacia fuera del perno de anclaje deberá ser de más de 5 veces el peso total de los dispositivos instalados (incluyendo el cuerpo de la cámara, la ménsula de montaje en el techo, los pernos de anclaje y todos los demás accesorios).
- Cuando emplee un perno de anclaje existente como perno de anclaje para conectar el cable de seguridad, asegúrese de que la distancia entre el perno de anclaje y la posición de montaje de la cámara sea de 1 m o menos.

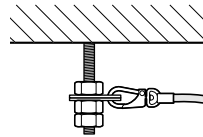
Paso 3

Fije la ménsula angular de cables de seguridad (accesoria) en el perno de anclaje (para conectar el cable de seguridad) y conecte el cable de seguridad (accesorio).

- ① Instale una tuerca de modo que la ménsula angular de cables de seguridad quede fijada en el perno de anclaje.
- ② Desconecte el cable de seguridad de la ménsula angular de cables de seguridad.
- ③ Acople la superficie con la marca ① con el perno de anclaje.
- ④ Doble la superficie con la marca ②.
- ⑤ Conecte de nuevo el cable de seguridad a la ménsula angular de cables de seguridad.
- ⑥ Enrosque la tuerca desde debajo y fije la ménsula angular de cables de seguridad con las tuercas superior e inferior.
- ⑦ Enrosque otra tuerca desde debajo para apretarla y fije la tuerca que se enroscó por debajo en ⑥ a modo de doble tuerca.



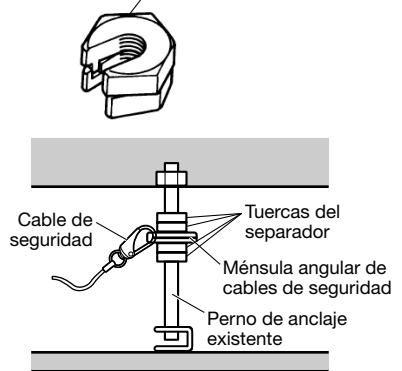
<Imagen de la conexión del cable de seguridad>



Nota:

- Cuando se usa un perno de anclaje existente que ya estaba instalado para hacer la conexión del cable de seguridad, el empleo de las 2 tuercas del separador le servirá de ayuda.

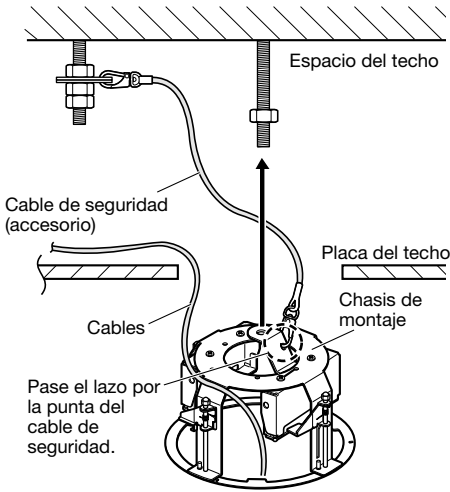
Tuercas del separador



*La tuerca se omite en la ilustración de arriba.

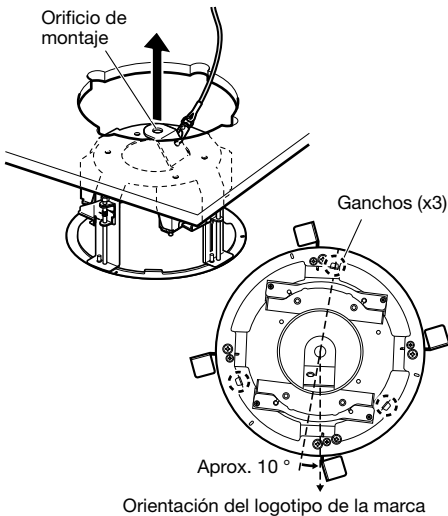
Paso 4

Enganche el cable de seguridad al chasis de montaje como se muestra en la ilustración siguiente.



Paso 5

Inserte el perno de anclaje (para fijar el chasis de montaje) en el orificio de montaje del chasis de montaje. Para ajustar la posición del logotipo de i-PRO en la cubierta decorativa, gire el chasis de montaje. Tenga presente que el logotipo de i-PRO debe quedar situado aproximadamente 180 ° al lado opuesto de un gancho para la cubierta decorativa.



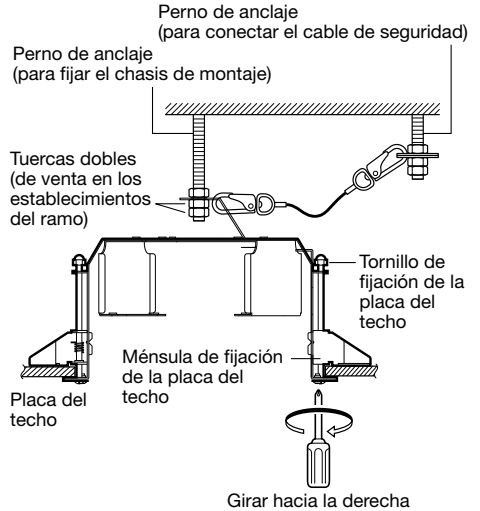
Paso 6

Fije el chasis de montaje a la placa del techo con los tornillos de fijación para la placa del techo (4 lugares).

Girando hacia la derecha los tornillos de fijación de la placa del techo se aprieta la placa del techo entre la parte inferior del chasis de montaje y la ménsula de fijación de la placa del techo, asegurando así el chasis de montaje. (Torsión de apriete recomendada: 0,78 N·m)

IMPORTANTE:

- Cuando fije al techo el chasis de montaje, asegúrese de que las 4 ménsulas de fijación de la placa del techo estén abiertas como se muestra en la ilustración.



Paso 7

Emplee tuercas dobles (de venta en los establecimientos del ramo) para fijar el chasis de montaje después de haber insertado el perno de anclaje (para fijar el chasis de montaje).

Paso 8

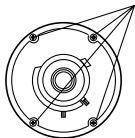
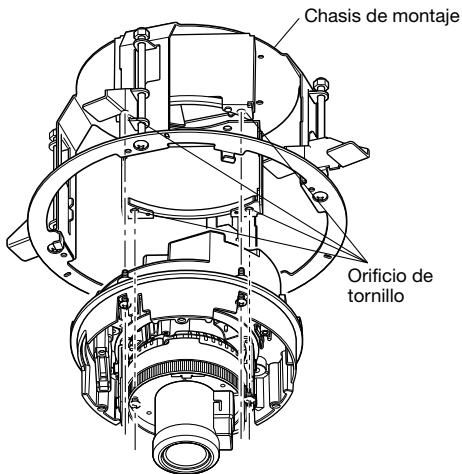
Siga el procedimiento de acuerdo con el modelo de la cámara que se proponga instalar.

<Instalación de la WV-NW484S>

- 1 Emplee la broca de destornillador suministrada con la cámara para extraer los tornillos que fijan el alojamiento de la cámara y extraiga el alojamiento del cuerpo principal de la cámara.

IMPORTANTE:

- Consulte también el manual de instrucciones de la cámara.
- 2 Efectúe el cableado de la cámara.
 - 3 Alinee los orificios de los tornillos del chasis de montaje con los 4 tornillos de montaje del cuerpo principal de la cámara y apriételes.
(Torsión de apriete recomendada: 0,78 N·m)



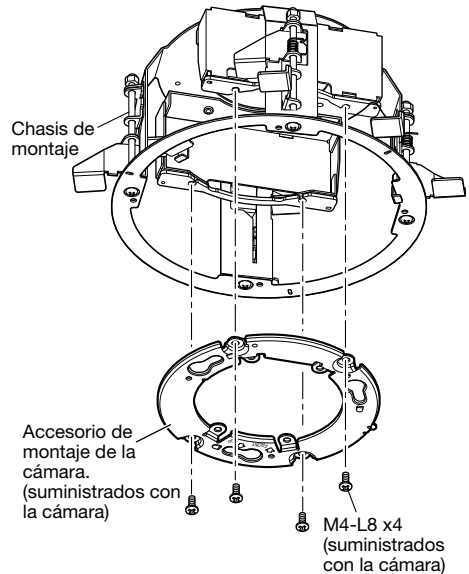
Nota:

- La ménsula de montaje suministrada con la cámara no se emplea.
- 4 Monte el alojamiento de la cámara en el cuerpo principal de la cámara.

<Instalación de las WV-CW504F, WV-CW504S, y WV-NW502S>

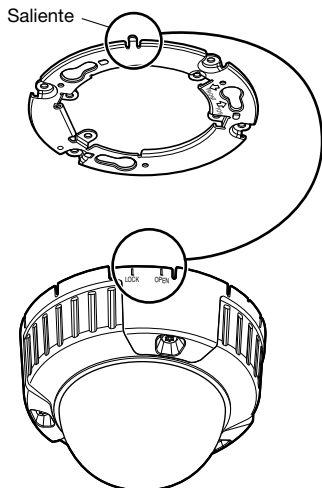
- 1 Monte el accesorio de montaje de la cámara (suministrado con la cámara) en este chasis.

Emplee los 4 tornillos M4-L8 (suministrados con la cámara) para fijar firmemente el accesorio de montaje de la cámara como se muestra en la ilustración.
(Torsión de apriete recomendada: 0,78 N·m)



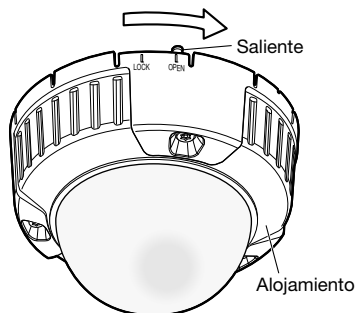
- 2 Conecte los cables de la cámara.

- ③ Alinee la marca “OPEN” de la cámara con el saliente del accesorio de montaje de la cámara.



Acople la cámara en el accesorio de montaje de la cámara.

- ④ Gire la cámara en el sentido de la flecha de modo que el saliente del accesorio de montaje de la cámara quede alineado con la posición “LOCK” para eliminar todo el contragolpe entre la cámara y el accesorio de montaje de la cámara.



- ⑤ Emplee la broca de destornillador (suministrada con la cámara) para aflojar los tornillos que fijan el alojamiento de la cámara y extraiga el alojamiento del cuerpo principal de la cámara.

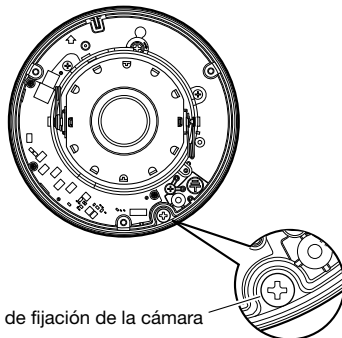
Fije la cámara al accesorio de montaje de la cámara con el tornillo de fijación de la cámara (rojo).

(Torsión de apriete recomendada: 0,78 N·m)

IMPORTANTE:

- El tornillo de fijación de la cámara deberá apretarse con seguridad. De lo contrario, la exposición al agua podría causar daños o mal funcionamiento en la cámara, o una caída de la cámara con los riesgos de lesiones personales subsecuentes.

(Torsión de apriete recomendada: 0,78 N·m)

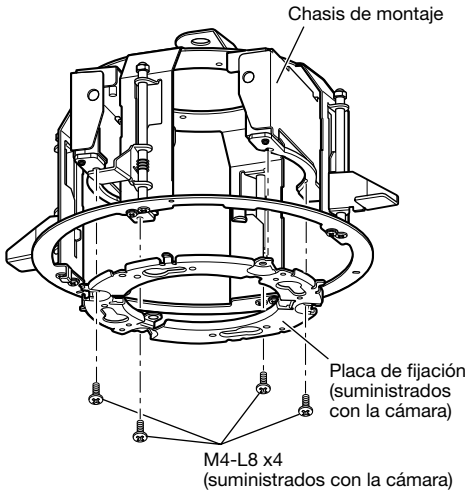


Tornillo de fijación de la cámara

- ⑥ Ajuste la cámara.
Consulte el manual de instrucciones de la cámara.
- ⑦ Emplee la broca de destornillador (suministrada con la cámara) para apretar los tornillos que fijan el alojamiento de la cámara y monte el alojamiento en el cuerpo principal de la cámara.

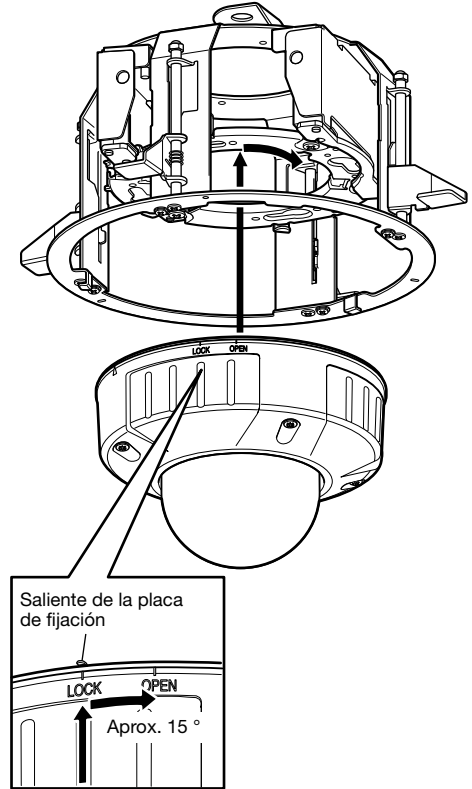
<Instalación de las WV-SFV631L y WV-SFV611L>

- 1 Monte la placa de fijación (suministrada con la cámara) en este chasis de montaje. Emplee los 4 tornillos M4-L8 (suministrados con la cámara) para fijar firmemente la placa de fijación como se muestra en la ilustración.
(Torsión de apriete recomendada: 0,78 N·m)



- 2 Conecte los cables de la cámara.

- 3 Alinee la marca "OPEN" de la cámara con el saliente de la placa de fijación. Monte la cámara insertando los tornillos de montaje del accesorio en los orificios de la placa de fijación. Gire la cámara en el sentido de la flecha de modo que el saliente de la placa de fijación quede alineado con la posición "LOCK" para eliminar todo el contragolpe entre la cámara y la placa de fijación.



- ④ Afloje los 4 tornillos de fijación del alojamiento empleando la broca (suministrada con la cámara).
Extraiga el alojamiento de la cámara y fije la cámara empleando un tornillo de fijación de la cámara.

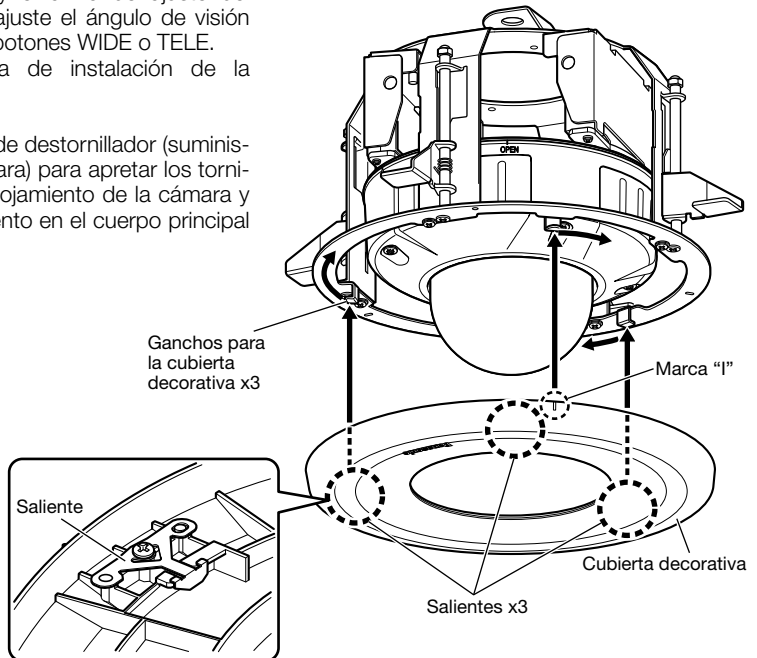
IMPORTANTE:

- Asegúrese de apretar bien los tornillos de fijación de la cámara. Si no lo hace así, pueden ocasionarse problemas en la cámara debido a la caída de la cámara.
(Torsión de apriete recomendada: 0,78 N·m)
- ⑤ Ajuste el ángulo de la cámara con la plataforma de inclinación, la plataforma de panoramización y el anillo de ajuste del acimut, y luego ajuste el ángulo de visión presionando los botones WIDE o TELE.
Consulte la guía de instalación de la cámara.
- ⑥ Emplee la broca de destornillador (suministrada con la cámara) para apretar los tornillos que fijan el alojamiento de la cámara y monte el alojamiento en el cuerpo principal de la cámara.

Paso 9

Monte la cubierta decorativa en esta ménsula de montaje.

- Alinee la marca "I" de la cubierta decorativa suministrada con este chasis de montaje, empuje la cubierta decorativa contra el techo y gire entonces la cubierta decorativa hacia la derecha, mirándola desde debajo, para fijar la cubierta.
- Se suministran dos tipos de cubierta decorativa. Para las WV-SFV631L y WV-SFV611L, emplee la que tiene el diámetro menor de la abertura para la cubierta del domo. Para los otros modelos, emplee la que tiene el diámetro mayor de la abertura.



Especificaciones

Temperatura ambiental:	-45 °C a +50 °C
Dimensiones:	211,3 mm de diámetro x 133,8 mm de profundidad de empotramiento
Peso:	Aprox. 870 g
Acabado:	Cuerpo principal: Metálico
Cubierta decorativa:	Resina ABS con revestimiento plateado claro

Accesorios estándar

Manual de instrucciones (este documento) 1 pieza

Lo siguiente es para la instalación.

Cable de seguridad	1 pieza
Ménsula angular de cables de seguridad	1 pieza
Plantilla A.....	1 pieza
Plantilla B	1 pieza
Cubiertas decorativas	2 piezas

Indice

Caratteristiche	54
Precauzioni	55
Precauzioni per l'installazione	56
Principali controlli operativi	58
Installazioni	59
Dati tecnici	66
Accessori standard	66

Caratteristiche

La WV-Q169A è una staffa per incasso a soffitto progettata esclusivamente per il montaggio di una telecamera a colori TVCC o di una telecamera di rete su un soffitto. Far riferimento al catalogo o al manuale di istruzioni della telecamera per ulteriori informazioni riguardo ai modelli compatibili. Questa staffa può essere utilizzata per un'area con scarsa resistenza alla trazione quale un pannello di cartongesso in un doppio soffitto ed il tipo ad incasso rende più piccola la parte visibile della telecamera.

* È possibile utilizzare la WV-Q169A al posto della WV-Q169 per i modelli che presentano la WV-Q169 come optional disponibile.

Precauzioni

Rivolgersi al rivenditore per i lavori di installazione.

I lavori di installazione richiedono tecnica ed esperienza.

La mancata osservanza di questa precauzione può causare incendi, scosse elettriche, ferite o danni al prodotto.

Non esitare a rivolgersi al rivenditore.

Evitare di installare questa staffa in posizioni dove si verificano danni da sale o viene prodotto gas corrosivo.

In caso contrario, le parti di montaggio si deterioreranno e potranno verificarsi incidenti quali la caduta di questo prodotto.

Le viti ed i bulloni devono essere stretti con la coppia di torsione specificata.

L'allentamento delle viti o dei bulloni di montaggio può causare la caduta del prodotto e provocare ferite o incidenti.

Non utilizzare questa staffa se non con telecamere idonee.

La mancata osservanza di questa precauzione può causare una caduta e provocare ferite.

Selezionare un'area di installazione che possa supportare il peso totale.

La selezione di una superficie di installazione non appropriata può causare la caduta o il rovesciamento di questo prodotto, procurando ferite o incidenti.

Il lavoro di installazione deve essere iniziato dopo aver eseguito un sufficiente rinforzo.

Non sfregare i bordi delle parti metalliche con le mani.

Un forte sfregamento può causare ferite.

Si devono compiere ispezioni periodiche.

La ruggine sulle parti metalliche o sulle viti può causare la caduta del prodotto e provocare ferite o incidenti.

Rivolgersi al rivenditore per le ispezioni.

Si devono implementare misure di protezione contro la caduta di questo prodotto.

La mancata osservanza di questa precauzione può causare una caduta e provocare ferite o incidenti.

Assicurarsi di installare il cavo di sicurezza.

Si deve utilizzare la staffa di montaggio appositamente progettata.

La mancata osservanza di questa precauzione può causare una caduta e provocare ferite o incidenti.

Utilizzare la staffa di montaggio progettata appositamente per l'installazione.

Non installare questo prodotto in posizioni soggette a vibrazioni.

L'allentamento delle viti o dei bulloni di montaggio può causare la caduta del prodotto e provocare ferite o incidenti.

Non colpire o scuotere con forza questo prodotto.

La mancata osservanza di questa precauzione può causare incendi o ferite.

Installare questo prodotto in una posizione sufficientemente alta per evitare che persone e oggetti urtino il prodotto.

La mancata osservanza di questa precauzione può causare ferite.

Non appendersi a questo prodotto e non utilizzare il prodotto come piedistallo.

La mancata osservanza di questa precauzione può causare una caduta e provocare incidenti.

Precauzioni per l'installazione

Tutte le procedure relative all'installazione di questo prodotto dovrebbero essere eseguite da personale di assistenza qualificato o installatori di sistema.

i-PRO Co., Ltd. non potrà essere considerata responsabile per danni patrimoniali e/o non patrimoniali a cose e/o persone derivanti da installazione o funzionamento eseguiti in modo non conforme al presente documento.

L'installazione deve essere conforme alla normativa elettrica locale.

Questo prodotto è stato progettato per essere utilizzato all'interno.

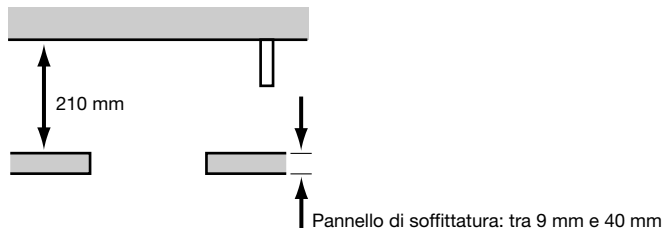
Questo prodotto non è utilizzabile all'esterno.

Non esporre questo prodotto alla luce solare diretta per ore e non installare il prodotto vicino ad un riscaldatore o ad un condizionatore d'aria.

In caso contrario, si possono causare deformazione, scolorimento e un cattivo funzionamento. Tenere questo prodotto lontano da acqua e umidità.

Area di installazione di questo prodotto

- Accertarsi che l'area di installazione sia sufficientemente robusta per sostenere il peso totale del gruppo della telecamera prima dell'installazione.
- L'area di installazione deve avere uno spazio di 210 mm o superiore dietro la soffittatura.
- Lo spessore del pannello di soffittatura per l'installazione può essere compreso tra 9 mm e 40 mm.



Non collocare questo prodotto nelle seguenti posizioni:

- Posizioni dove si può bagnare a causa di pioggia o schizzi d'acqua (incluso sotto grondaie, etc.)
- Posizioni dove viene utilizzato un agente chimico quali una piscina
- Posizioni soggette ad umidità e fumi oleosi quali una cucina
- Posizioni in ambienti specifici soggetti ad un'atmosfera infiammabile o a solventi
- Posizioni dove vengono generate radiazioni, raggi X, forti onde radio o un forte campo magnetico
- Posizioni dove vengono prodotti gas corrosivi, posizioni dove possono essere causati danni dall'aria salmastra quali la riva del mare
- Posizioni dove la temperatura non è compresa nel range specificato (da $-45\text{ }^{\circ}\text{C}$ a $+50\text{ }^{\circ}\text{C}$)
- Posizioni soggette a vibrazioni, come su veicoli, natanti, linee di produzione (questo prodotto non è progettato per l'utilizzo su veicoli.)
- Posizioni soggette a condensazione come risultato di drastici cambiamenti della temperatura

Procurarsi separatamente i bulloni di ancoraggio.

Il bullone di ancoraggio per il montaggio della staffa su un soffitto non è fornito con la staffa di montaggio a soffitto.

Prepararle a seconda del materiale e della robustezza dell'area dove si deve installare il prodotto.

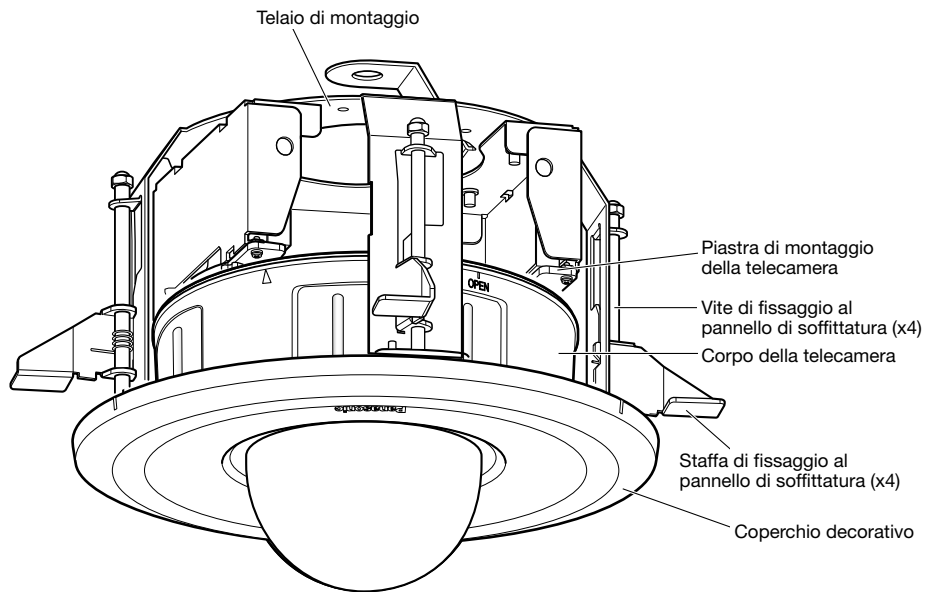
- Bullone di ancoraggio: M10, consigliato
- Resistenza alla trazione minima: Assicurarsi che possa essere supportato un peso superiore a 5 volte il peso totale incluso il corpo della telecamera.

Stringere le viti ed i bulloni

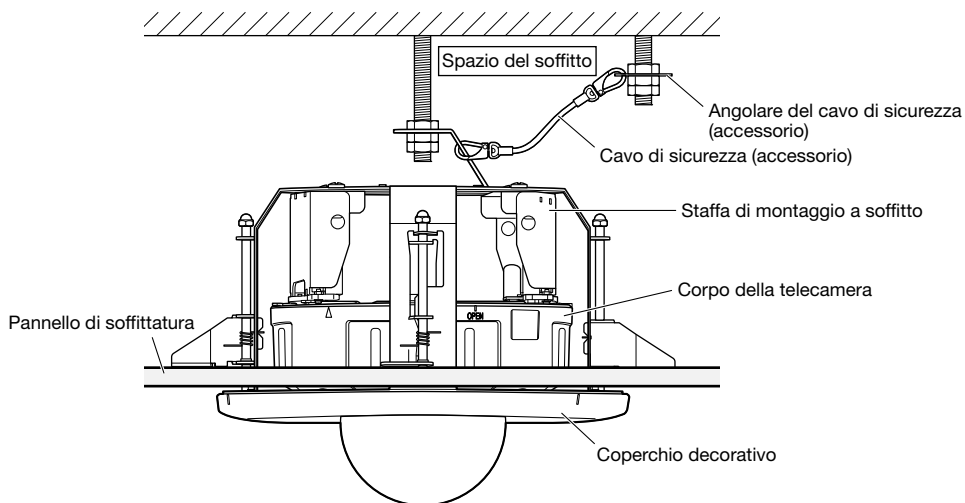
- Le viti ed i bulloni devono essere stretti con una coppia di torsione dell'avvitamento adeguato a seconda del materiale e della robustezza dell'area di installazione.
- Non utilizzare un avvitatore ad impatto. L'utilizzo di un avvitatore ad impatto può danneggiare le viti o causare un avvitamento eccessivo.
- Quando si stringe una vite, posizionare la vite ad angolo retto rispetto alla superficie. Dopo aver stretto le viti o i bulloni, eseguire controlli per accertarsi che l'avvitamento sia sufficiente ad assicurare che non ci sia movimento o gioco.

Assicurarsi di rimuovere questo prodotto se non verrà più utilizzato.

Principali controlli operativi



<Esempio di installazione>



Installazioni

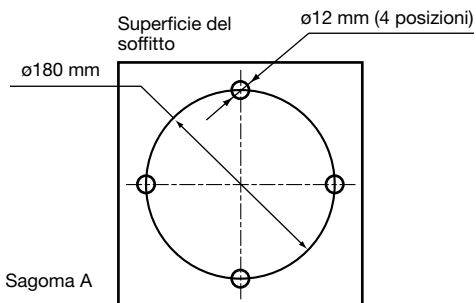
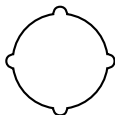
Assicurarsi di aver letto “Precauzioni” (☞ pagina 55) e “Precauzioni per l’installazione” (☞ pagina 56) prima dell’installazione. Leggere anche il manuale di istruzioni della telecamera da installare.

Passaggio 1

Posizionare la sagoma A (accessorio) contro il soffitto e praticare un foro.

- ① Praticare 4 fori di 12 mm di diametro.
- ② Rimuovere la parte centrale dalla sagoma.
- ③ Praticare un foro di 180 mm di diametro.

I fori sul soffitto sono indicati nel disegno a destra. →

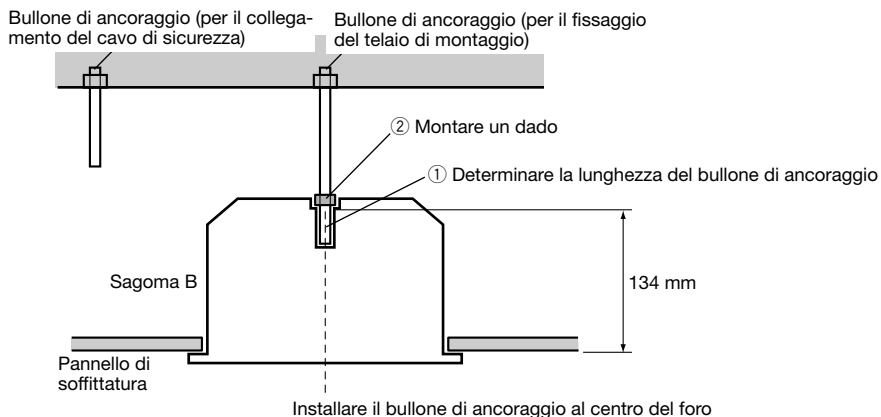


Passaggio 2

Installare due bulloni di ancoraggio (da procurarsi localmente: consigliati M10) nel soffitto.

Un ancoraggio viene utilizzato per fissare il telaio di montaggio e l’altro ancoraggio viene utilizzato per collegare il cavo di sicurezza.

- ① Determinare la lunghezza del bullone di ancoraggio (per fissare il telaio di montaggio) utilizzando la sagoma B (accessorio).
- ② Posizionare il dado utilizzando la sagoma B (accessorio) e montare il dado. (La distanza tra le superfici inferiori del pannello di soffittatura e del dado deve essere di 134 mm.)



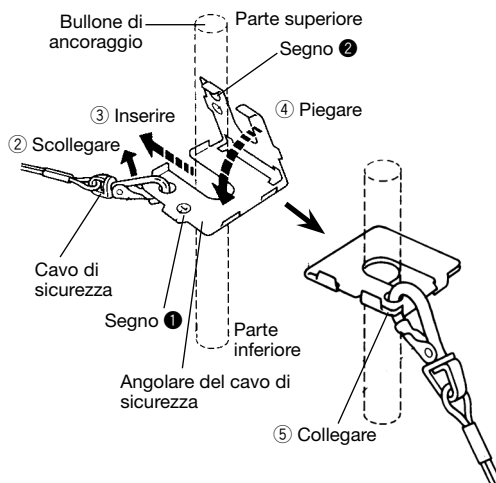
IMPORTANTE:

- La resistenza alla trazione del bullone di ancoraggio deve essere superiore a 5 volte il peso totale dei dispositivi installati (inclusi il corpo della telecamera, la staffa di montaggio a soffitto, i bulloni di ancoraggio e tutte le altre parti).
- Quando si utilizza un bullone di ancoraggio esistente come bullone di ancoraggio per collegare il cavo di sicurezza, assicurarsi che la distanza tra il bullone di ancoraggio e la posizione di montaggio della telecamera sia di 1 m o inferiore.

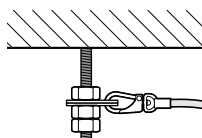
Passaggio 3

Fissare l'angolare del cavo di sicurezza (accessorio) al bullone di ancoraggio (per il collegamento del cavo di sicurezza) e collegare il cavo di sicurezza (accessorio).

- ① Montare un dado in modo che l'angolare del cavo di sicurezza sia fissato sul bullone di ancoraggio.
- ② Scollegare il cavo di sicurezza dall'angolare del cavo di sicurezza.
- ③ Innestare il lato contrassegnato con ① sul bullone di ancoraggio.
- ④ Piegare il lato contrassegnato con ②.
- ⑤ Collegare nuovamente il cavo di sicurezza all'angolare del cavo di sicurezza.
- ⑥ Innestare il dado da sotto e fissare l'angolare del cavo di sicurezza con i dadi superiore e inferiore.
- ⑦ Innestare un altro dado da sotto per stringere e fissare il dado che è stato innestato da sotto in ⑥ come in un doppio dado.

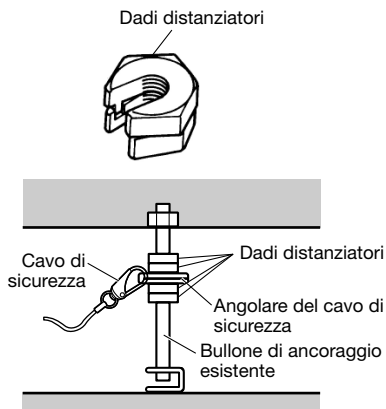


<Immagine del collegamento del cavo di sicurezza>



Nota:

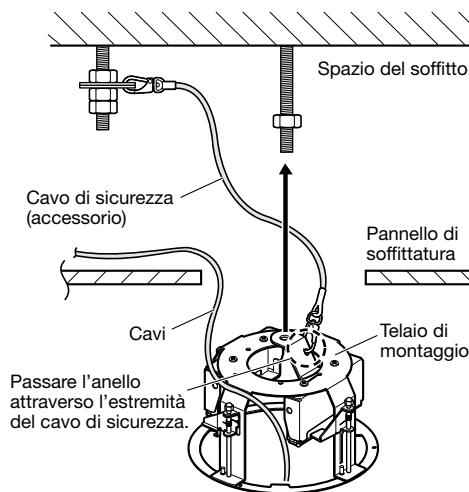
- Quando si utilizza il bullone di ancoraggio esistente già installato per collegare il cavo di sicurezza, è d'aiuto l'utilizzo di 2 dadi distanziatori.



* Il dado è omissa nella precedente illustrazione.

Passaggio 4

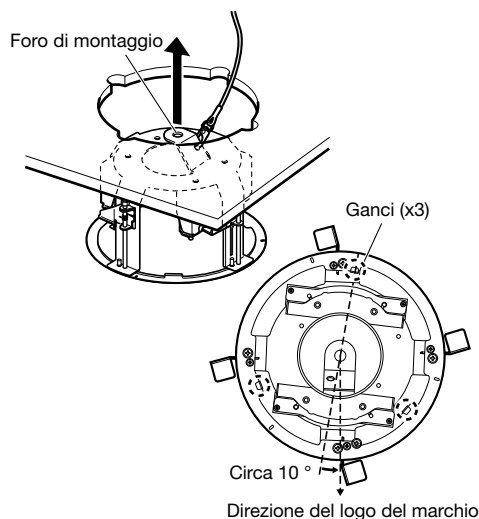
Fissare il cavo di sicurezza al telaio di montaggio come illustrato nel disegno seguente.



Passaggio 5

Inserire il bullone di ancoraggio (per il fissaggio del telaio di montaggio) nel foro di montaggio del telaio di montaggio.

Per regolare la posizione del logo i-PRO sul coperchio decorativo, ruotare il telaio di montaggio. Notare che il logo i-PRO sarà posizionato a circa 180° sul lato opposto del gancio per il coperchio decorativo.



Passaggio 6

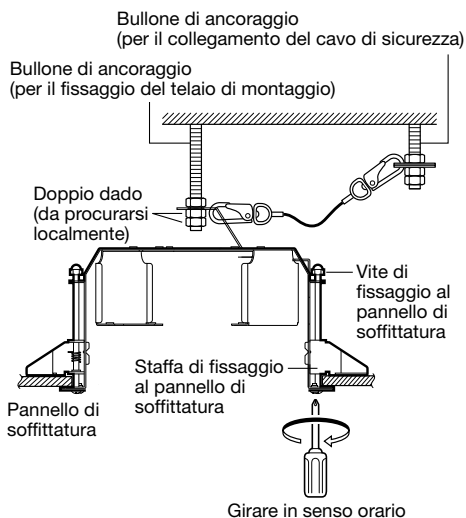
Fissare il telaio di montaggio al pannello di soffittatura con le viti per il fissaggio al pannello di soffittatura (4 posizioni).

Avvitando le viti per il fissaggio al pannello di soffittatura in senso orario si esegue il fissaggio al pannello di soffittatura tra la parte inferiore del telaio di montaggio e la staffa di fissaggio al pannello di soffittatura, il che garantisce un fissaggio sicuro del telaio di montaggio.

(Coppia di torsione dell'avvitamento consigliata: 0,78 N·m)

IMPORTANTE:

- Quando si fissa questa staffa su un soffitto, assicurarsi che le quattro staffe di fissaggio al pannello di soffittatura siano aperte come indicato nella figura seguente.



Passaggio 7

Utilizzare dadi doppi (da procurarsi localmente) per fissare il telaio di montaggio dopo aver inserito il bullone di ancoraggio (per il fissaggio del telaio di montaggio).

Passaggio 8

Seguire la procedura a seconda del modello della telecamera da installare.

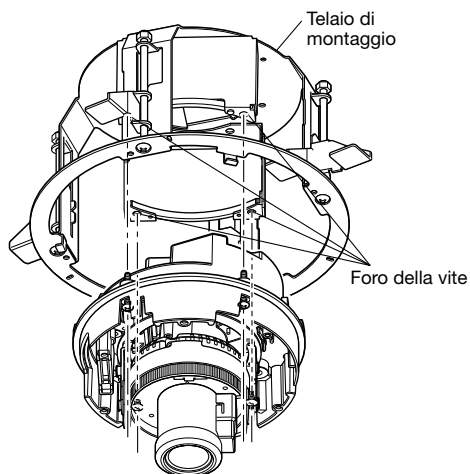
<Installazione della WV-NW484S>

- ① Utilizzare la punta per cacciavite fornita con la telecamera per rimuovere le viti che fissano l'involucro della telecamera e rimuovere l'involucro dal corpo principale della telecamera.

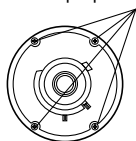
IMPORTANTE:

- Far riferimento anche al manuale di istruzioni della telecamera.
- ② Eseguire il cablaggio della telecamera.

- ③ Allineare i fori delle viti del telaio di montaggio con le 4 viti di montaggio del corpo principale della telecamera e stringerle. (Coppia di torsione dell'avvitamento consigliata: 0,78 N·m)



Viti del corpo principale della telecamera



Nota:

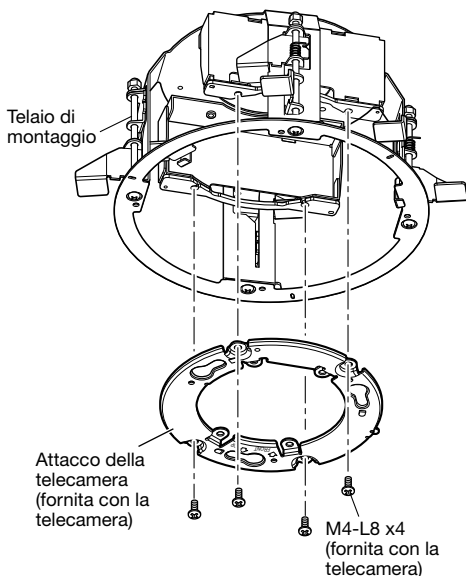
- La staffa di montaggio fornita con la telecamera non viene utilizzata.

- ④ Montare l'involucro della telecamera sul corpo principale della telecamera.

<Installazione della WV-CW504F, WV-CW504S, WV-NW502S>

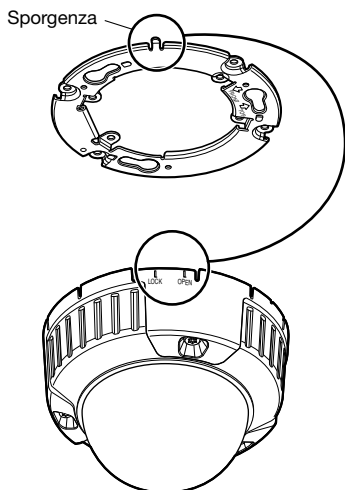
- ① Montare l'attacco della telecamera (fornito con la telecamera) su questo telaio.

Utilizzare 4 viti M4-L8 (fornite con la telecamera) per fissare saldamente l'attacco della telecamera come mostrato nel disegno. (Coppia di torsione dell'avvitamento consigliata: 0,78 N·m)



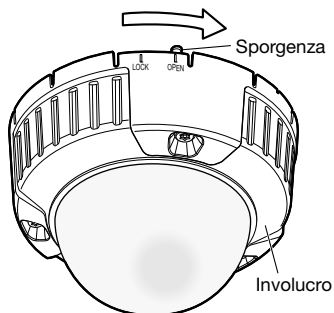
- ② Collegare i cavi della telecamera.

- ③ Allineare il segno "OPEN" della telecamera con la sporgenza dell'attacco della telecamera.



Agganciare la telecamera con l'attacco della telecamera.

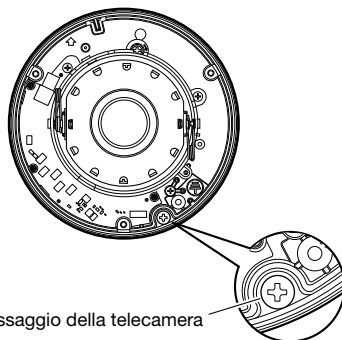
- ④ Ruotare la telecamera nella direzione della freccia in modo che la sporgenza dell'attacco della telecamera si allineata con la posizione "LOCK" per eliminare qualsiasi gioco tra la telecamera e l'attacco della telecamera.



- ⑤ Utilizzare la punta per cacciavite (fornita con la telecamera) per allentare le viti che fissano l'involucro della telecamera e rimuovere l'involucro dal corpo principale della telecamera.
Fissare la telecamera all'attacco della telecamera con la vite di fissaggio della telecamera (rossa).
(Coppia di torsione dell'avvitamento consigliata: 0,78 N·m)

IMPORTANTE:

- La vite di fissaggio della telecamera deve essere stretta saldamente. In caso contrario, l'esposizione all'acqua potrebbe causare danni o un cattivo funzionamento della telecamera, oppure la caduta della telecamera potrebbe provocare ferite.
(Coppia di torsione dell'avvitamento consigliata: 0,78 N·m)

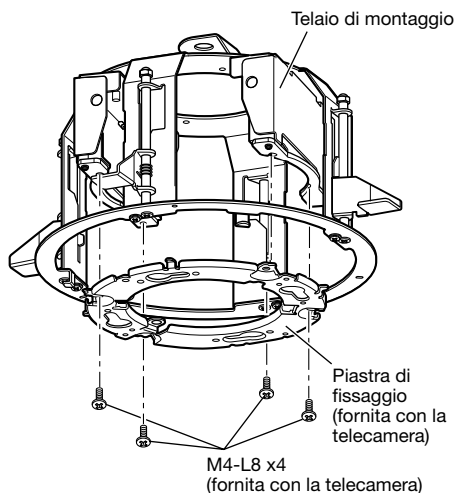


Vite di fissaggio della telecamera

- ⑥ Regolare la telecamera.
Far riferimento al manuale della telecamera.
- ⑦ Utilizzare la punta per cacciavite (fornita con la telecamera) per stringere le viti che fissano l'involucro della telecamera e montare l'involucro sul corpo principale della telecamera.

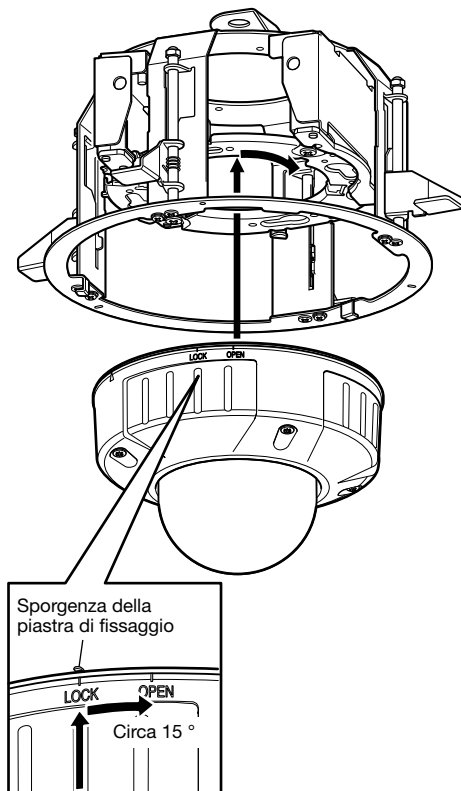
<Installazione della WV-SFV631L, WV-SFV611L>

- ① Montare la piastra di fissaggio (fornita con la telecamera) su questo telaio di montaggio. Utilizzare 4 viti M4-L8 (fornite con la telecamera) per fissare saldamente la piastra di fissaggio come mostrato nel disegno. (Coppia di torsione dell'avvitamento consigliata: 0,78 N·m)



- ② Collegare i cavi della telecamera.

- ③ Allineare il segno "OPEN" della telecamera con la sporgenza della piastra di fissaggio. Montare la telecamera inserendo le viti di montaggio dell'attacco nei fori della piastra di fissaggio. Ruotare la telecamera nella direzione della freccia in modo che la sporgenza della piastra di fissaggio si allinei con la posizione "LOCK" per eliminare qualsiasi gioco tra la telecamera e la piastra di fissaggio.



- ④ Allentare le 4 viti di fissaggio dell'involucro utilizzando la punta (fornita con la telecamera).
Rimuovere l'involucro dalla telecamera e fissare la telecamera utilizzando una vite di fissaggio della telecamera.

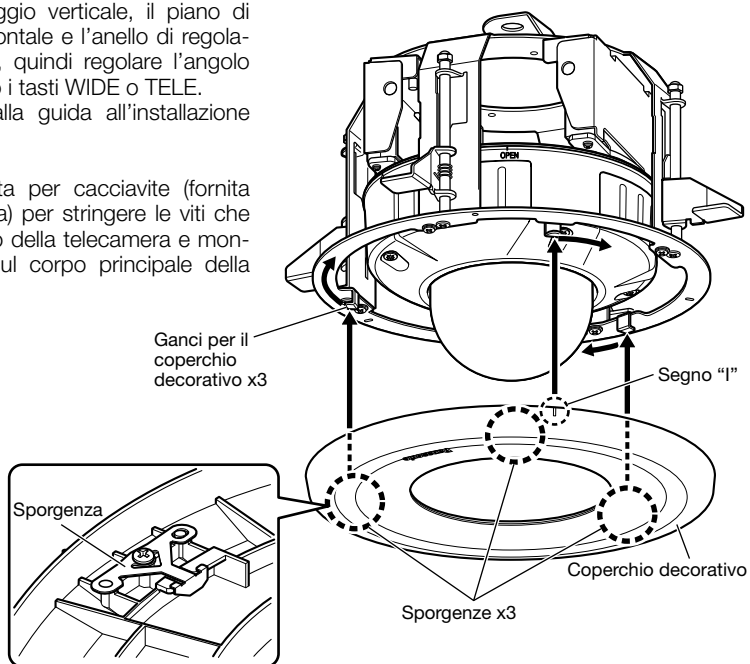
IMPORTANTE:

- Assicurarsi di stringere la vite di fissaggio della telecamera. La mancata osservanza di questa istruzione può causare inconvenienti alla telecamera dovuti alla caduta della telecamera.
(Coppia di torsione dell'avvitamento consigliata: 0,78 N·m)
- ⑤ Regolare l'angolo della telecamera con il piano di brandeggio verticale, il piano di brandeggio orizzontale e l'anello di regolazione dell'azimut, quindi regolare l'angolo visuale premendo i tasti WIDE o TELE.
Far riferimento alla guida all'installazione della telecamera.
- ⑥ Utilizzare la punta per cacciavite (fornita con la telecamera) per stringere le viti che fissano l'involucro della telecamera e montare l'involucro sul corpo principale della telecamera.

Passaggio 9

Montare il coperchio decorativo su questa staffa di montaggio.

- Allineare il segno "I" del coperchio decorativo fornito con questo telaio di montaggio con il gancio del telaio di montaggio, premere il coperchio decorativo contro il soffitto e ruotare il coperchio decorativo in senso orario guardando da sotto per fissare il coperchio.
- Sono forniti due tipi di coperchio decorativo. Per la WV-SFV631L e la WV-SFV611L, utilizzare quello il cui diametro dell'apertura per il coperchio a cupola è più piccolo. Per gli altri modelli, utilizzare quello il cui diametro dell'apertura è più grande.



Dati tecnici

Temperatura ambiente:	Da -45 °C a +50 °C
Dimensioni:	211,3 mm di diametro x 133,8 mm di profondità di incasso
Peso:	Circa 870 g
Finitura:	Coperchio decorativo: Metallo
Coperchio decorativo:	Resina ABS con rivestimento color argento chiaro

Accessori standard

Manuale di istruzioni (questo documento) 1 pz.

Quanto segue è per l'installazione.

Cavo di sicurezza 1 pz.

Angolare del cavo di sicurezza..... 1 pz.

Sagoma A 1 pz.

Sagoma B 1 pz.

Coperchi decorativi..... 2 pz.

Содержание

Характеристики	67
Меры предосторожности.....	68
Меры предосторожности при монтаже.....	69
Основные органы управления.....	71
Монтаж.....	72
Технические характеристики	79
Стандартные аксессуары	79

Характеристики

WV-Q169A представляет собой встраиваемый в потолок кронштейн, специально разработанный для монтажа цветной камеры видеонаблюдения и сетевой камеры на потолок. См. каталог или инструкции по эксплуатации камеры для получения дополнительной информации о совместимых моделях. Этот кронштейн может использоваться для области со слабой прочностью на выдергивание, как например гипсокартон в двойном потолке, также встроенный тип конструкции делает видимую часть камеры меньше.

* Можно использовать WV-Q169A вместо WV-Q169 для моделей, представляющих WV-Q169 в качестве доступной дополнительной части.

Меры предосторожности

Монтажные работы следует поручить дилеру.

Монтажные работы требуют технических навыков и опыта.

Несоблюдение этого требования может привести к пожару, поражению электрическим током, травмам или повреждению изделия.

Нужно обязательно обращаться к дилеру.

Следует избегать установки данного кронштейна в местах, где возникает солевое повреждение, либо выделяется агрессивный газ.

В противном случае будет возникать ухудшение качества мест монтажа, что может привести к авариям, таким как падение данного изделия.

Винты и болты должны быть затянуты с установленным крутящим моментом.

Ослабление крепежных винтов или болтов может вызвать падение прибора и, как следствие, травмирование или аварии.

Используйте данный кронштейн только с подходящими камерами.

Несоблюдение данного требования может привести к падению устройства, ведущему к травмированию.

Необходимо выбрать место монтажа, которое может выдержать общую массу.

Выбор неподходящей монтажной поверхности может вызвать падение или опрокидывание настоящего продукта и, как следствие, привести к травмам или несчастным случаям.

К монтажным работам следует приступить после тщательного проведения технических мероприятий по усилению и укреплению.

Не следует вытирать края металлических деталей рукой.

Сильное трение может привести к травме.

Следует выполнять периодические проверки.

Ржавчина на металлических деталях или винтах может вызвать падение прибора, ведущее к травмированию или авариям.

За проверками следует обращаться к дилеру.

Необходимо принять меры предосторожности против падения данного прибора.

Несоблюдение данного требования может привести к падению прибора, ведущему к травмированию или авариям.

Обязательно установите страховочного троса для предотвращения падения.

Следует использовать монтажный кронштейн, эксклюзивно предназначенный для монтажа данного прибора.

Несоблюдение данного требования может привести к падению прибора, ведущему к травмированию или авариям.

Следует использовать монтажный кронштейн, эксклюзивно предназначенный для монтажа данного прибора.

Не следует монтировать данный прибор в местах, подверженных воздействию вибраций.

Ослабление крепежных винтов или болтов может вызвать падение прибора и, как следствие, травмирование или аварии.

Нельзя наносить сильных ударов или толчков по данному продукту.

Несоблюдение этого требования может привести к пожару или травме.

Следует устанавливать данный продукт на достаточно высокое место во избежание удара людей и объектов о него.

Несоблюдение этого требования может привести к травме.

Не следует держаться на приборе или использовать его в качестве подножки.

Несоблюдение данного требования может привести к падению устройства, ведущему к несчастным случаям.

Меры предосторожности при монтаже

Все работы по установке данного устройства должны выполняться квалифицированным обслуживающим персоналом или специалистом по установке/монтажу системы.

i-PRO Co., Ltd. не несет ответственности за травмы и материальный ущерб, причиненные вследствие неправильной установки или эксплуатации не в соответствии с данной документацией.

Установка должна выполняться в соответствии с местными электротехническими правилами и нормами.

Данное изделие предназначено для эксплуатации в помещении.

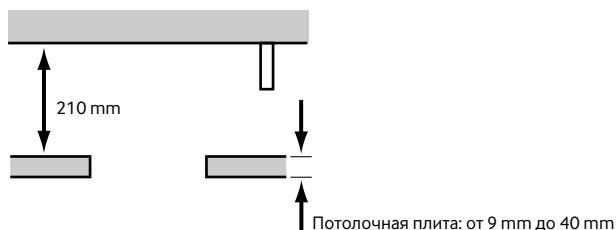
Данное изделие не может эксплуатироваться под открытым небом.

Не следует подвергать данное изделие воздействию прямой солнечной радиации в течение длительного времени и не следует монтировать изделие в непосредственной близости от отопителя или кондиционера воздуха.

В противном случае может возникнуть деформация, обесцвечивание и отказ прибора. Следует защищать данный продукт от воздействия воды и влаги.

Зона под монтаж данного прибора

- Перед установкой следует убедиться, что зона монтажа достаточно прочна для выдерживания общего веса камеры в сборе.
- Место монтажа должно иметь 210 мм или более места за потолком.
- Толщина потолочной плиты для монтажа может варьироваться от 9 мм до 40 мм.



Не следует устанавливать настоящий продукт в следующих местах:

- Места, подверженные воздействию атмосферных осадков или брызг воды (включая области под навесами и т.д.)
- Места, где использован химикат, как плавательный бассейн
- Места, подверженные воздействию влаги или маслянистого дыма, такие как кухня
- Места, имеющие особую среду, подверженную воздействию огнеопасной атмосферы или растворителей
- Места, где возникает радиация, рентгеновское излучение, сильные радиоволны или сильное магнитное поле
- Места, где выделяется агрессивный газ, места, подверженные воздействию соленого воздуха, как морское побережье
- Места, где температура выходит за пределы установленного температурного диапазона (от -45°C до $+50^{\circ}\text{C}$)
- Места, подверженные воздействию вибраций, такие как автомобили, морские суда или указанные выше линии продуктов (Данное изделие не предназначено для использования на автомобилях.)
- Места, где может происходить конденсация в результате большого перепада температуры

Анкерные болты следует приобрести отдельно.

Анкерный болт для монтажа кронштейна на потолке не поставляется с потолочным монтажным кронштейном.

Винты следует подготовить с учетом рода материала и прочности места, на которое монтируется данный продукт.

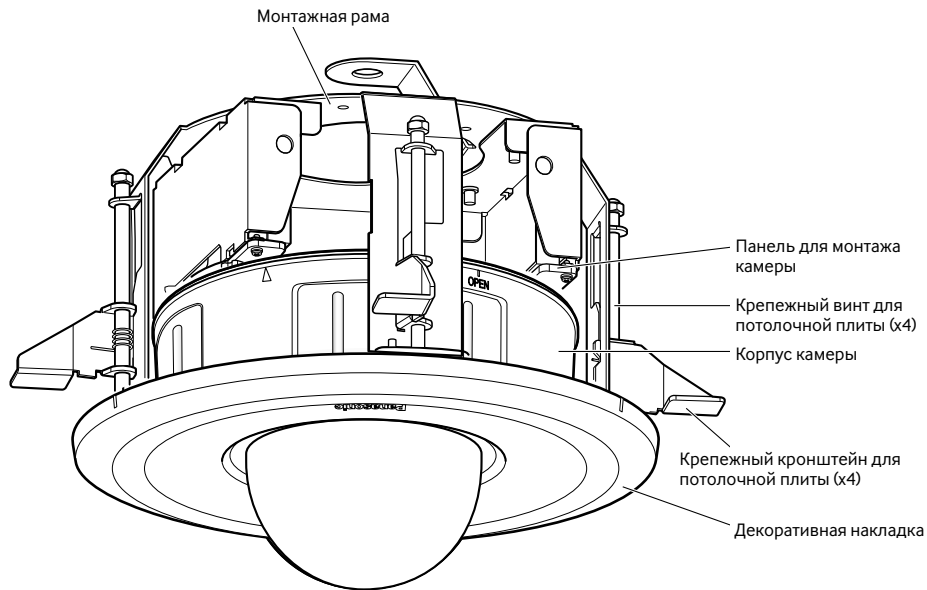
- Анкерный болт: рекомендуется M10
- Минимальная прочность на выдергивание: Убедитесь в том, что может выдерживаться более чем 5-кратная величина общей массы, включая корпус камеры.

Затяжка винтов и болтов

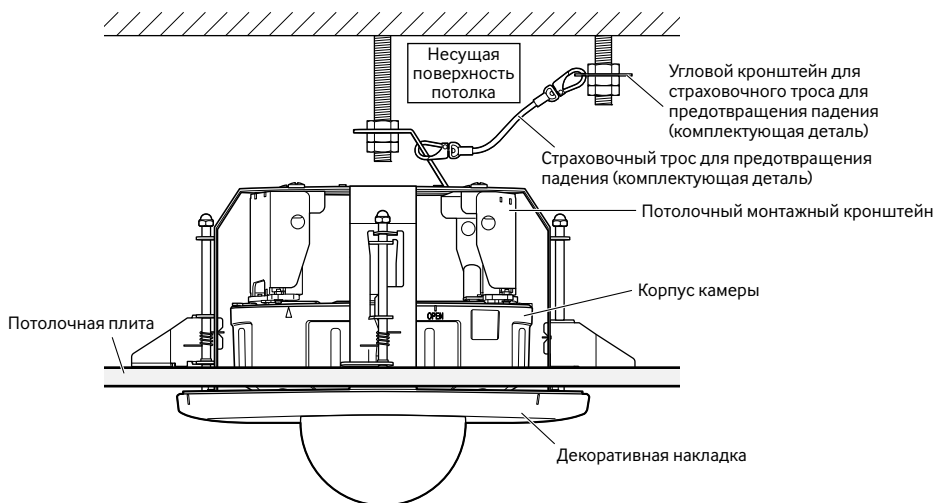
- Винты и болты должны быть затянуты с оптимальным крутящим моментом, зависящим от рода материала и прочности зоны монтажа.
- Нельзя использовать ударного винтоверта. Использование ударного винтоверта может вызвать повреждение винтов или их перетяжку.
- При затяжке винта его поддерживают в положении, перпендикулярном поверхности. Закрутив винты или болты, проверьте, достаточно ли они затянуты и нет ли движения или люфта.

Обязательно снимите данный прибор, если он больше не эксплуатируется.

Основные органы управления



<Образец установки>



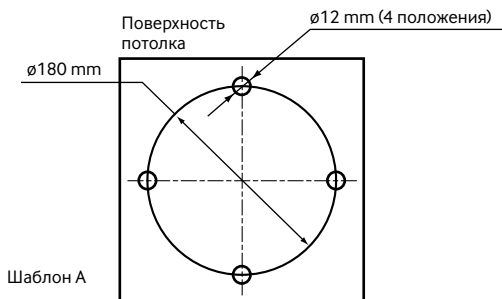
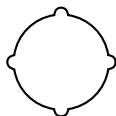
Монтаж

Обязательно прочтите "Меры предосторожности" (стр. 68) и "Меры предосторожности при монтаже" (стр. 69) перед установкой. Также прочтите инструкции по эксплуатации для монтажа камеры.

Шаг 1

Установите шаблон А (комплектующая деталь) на потолок и сделайте отверстие.

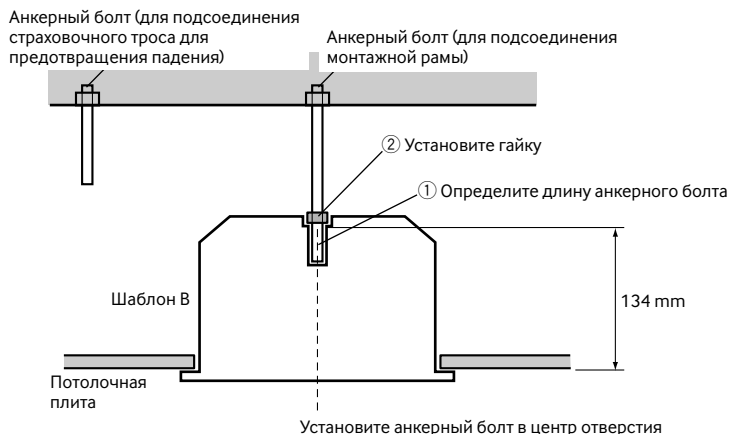
- 1 Сделайте 4 отверстия диаметром 12 мм.
- 2 Снимите центральную часть с шаблона.
- 3 Сделайте отверстие диаметром 180 мм.
Отверстия в потолке показаны на рисунке справа. →



Шаг 2

Установите два анкерных болта (приобретаем. на месте: М10 рекомендуется) на потолке. Один анкер используется для закрепления монтажной рамы, а другой анкер используется для подсоединения страховочного троса для предотвращения падения.

- 1 Определите длину анкерного болта (для подсоединения монтажной рамы) при помощи шаблона В (комплектующая деталь).
- 2 Поместите гайку с помощью шаблона В (комплектующая деталь) и закрепите гайку. (Расстояние между нижней поверхностью потолочной плиты и гайкой должно составлять 134 мм.)



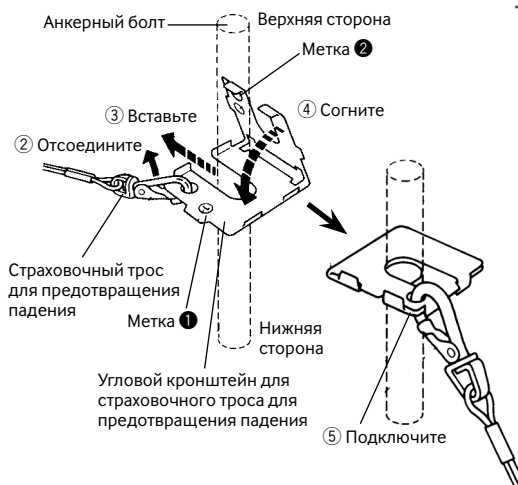
ВАЖНО:

- Прочность на выдергивание анкерного болта должна быть более 5-кратной величины общего веса установленных устройств (включая корпус камеры, потолочный монтажный кронштейн, анкерные болты и другие детали).
- Когда имеющийся анкерный болт используется в качестве анкерного болта для подсоединения страховочного троса для предотвращения падения, убедитесь, что расстояние между анкерным болтом и положением монтажа камеры составляет 1 м или менее.

Шаг 3

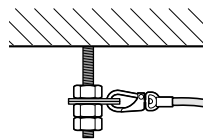
Закрепите угловой кронштейн для страховочного троса для предотвращения падения (комплектующая деталь) на анкерном болте (для подсоединения страховочного троса для предотвращения падения) и подсоедините страховочный трос для предотвращения падения (комплектующая деталь).

- 1 Установите гайку так, чтобы закрепить угловой кронштейн для страховочного троса для предотвращения падения на анкерном болте.
- 2 Отсоедините страховочный трос для предотвращения падения от углового кронштейна для страховочного троса для предотвращения падения.
- 3 Прикрепите сторону, отмеченную 1, с помощью анкерного болта.
- 4 Согните сторону, отмеченную 2.
- 5 Подсоедините страховочный трос для предотвращения падения к угловому кронштейну для страховочного троса для предотвращения падения снова.
- 6 Наживите гайку снизу и закрепите угловой кронштейн для страховочного троса для предотвращения падения с помощью верхней и нижней гаек.
- 7 Наживите другую гайку снизу, чтобы затянуть и зафиксировать гайку, которая была наживлена снизу в 6, таким образом, чтобы образовалась сдвоенная гайка.



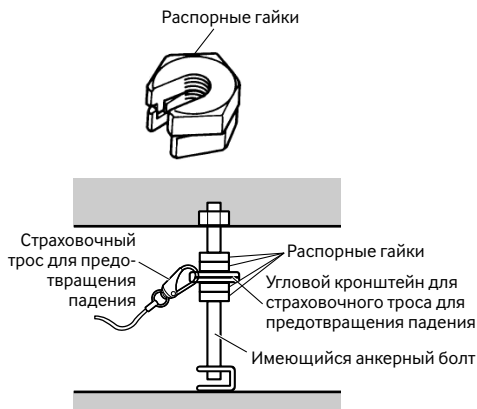
* Гайка опущена на рисунке выше.

<Изображение подсоединения страховочного троса для предотвращения падения>



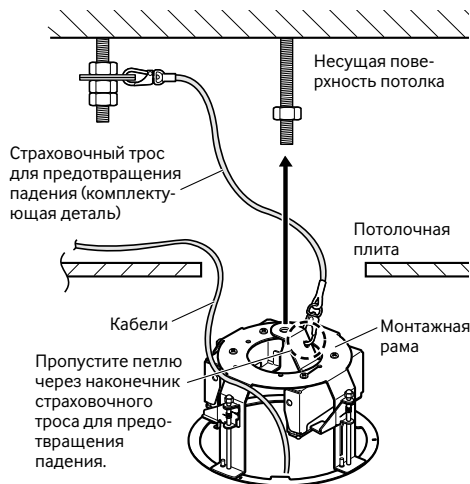
Замечание:

- Когда имеющийся анкерный болт, который был установлен, используется для подсоединения страховочного троса для предотвращения падения, лучше использовать 2 распорные гайки.



Шаг 4

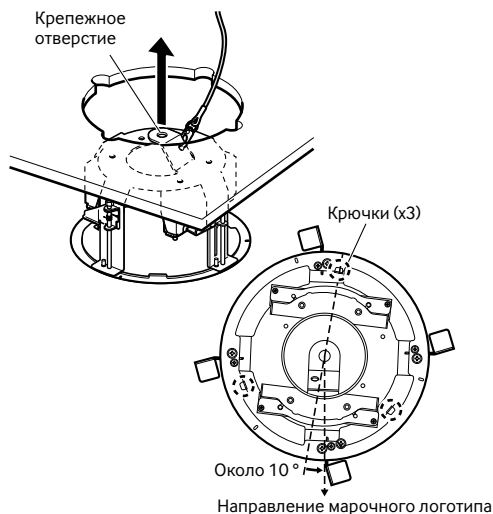
Прикрепите страховочный трос для предотвращения падения к монтажной раме, как показано на следующем рисунке.



Шаг 5

Вставьте анкерный болт (для подсоединения монтажной рамы) в крепежное отверстие монтажной рамы.

Для регулирования положения логотипа i-PRO на декоративной накладке поверните монтажную раму. Имейте в виду, что логотип i-PRO будет расположен приблизительно под углом 180° на противоположной стороне от декоративной наклейки.



Шаг 6

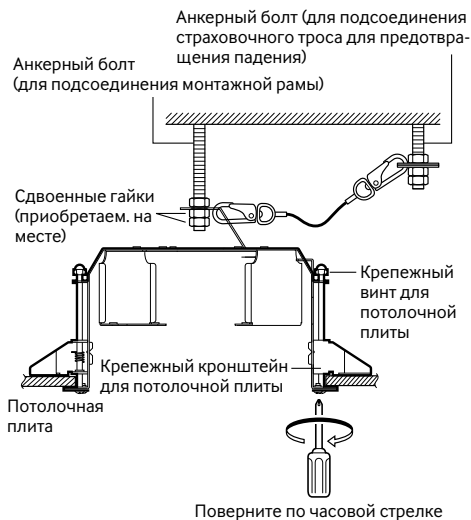
Закрепите монтажную раму на потолочной плите с помощью крепежных винтов для потолочной плиты (4 положения).

При поворачивании крепежных винтов потолочной плиты по часовой стрелке обеспечивает натяжку потолочной плиты между нижней частью монтажной рамы и крепежным кронштейном потолочной плиты, что обеспечивает закрепление монтажной рамы.

(Рекомендуемый крутящий момент при затяжке винтов: $0,78 \text{ N}\cdot\text{m}$)

ВАЖНО:

- При закреплении монтажной рамы на потолке убедитесь, что все 4 крепежных кронштейна для потолочной плиты открыты, как показано на рисунке.



Шаг 7

Используйте сдвоенные гайки (приобретаем. на месте) для закрепления монтажной рамы после вставки анкерного болта (для подсоединения монтажной рамы).

Шаг 8

Выполняйте процедуру в соответствии с моделью камеры для установки.

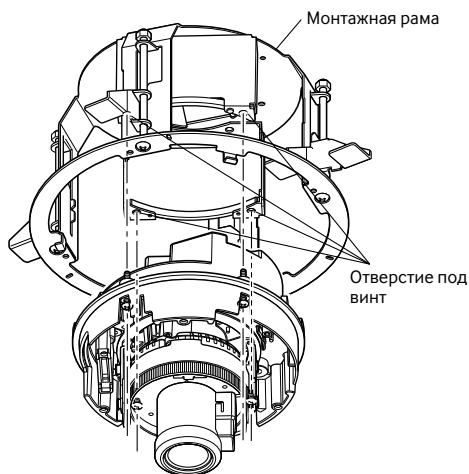
<Установка WV-NW484S>

- 1 Используйте муфту привода, поставляемую с камерой, для снятия винтов, которые крепят сборку камеры, и снимите сборку с основного корпуса камеры.

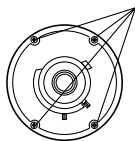
ВАЖНО:

- Также см. инструкцию по эксплуатации камеры.

- 2 Выполните монтаж проводки камеры.
- 3 Совместите отверстия винтов монтажной рамы с 4 установочными винтами основного корпуса камеры и затяните их. (Рекомендуемый крутящий момент при затяжке винтов: 0,78 N·m)



Винты основного корпуса камеры



Замечание:

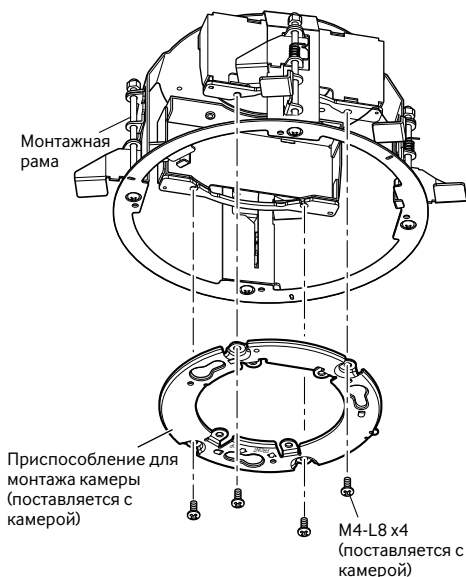
- Монтажный кронштейн, поставляемый с камерой, не используется.

- 4 Установите сборку камеры на основной корпус камеры.

<Установка WV-CW504F, WV-CW504S, WV-NW502S>

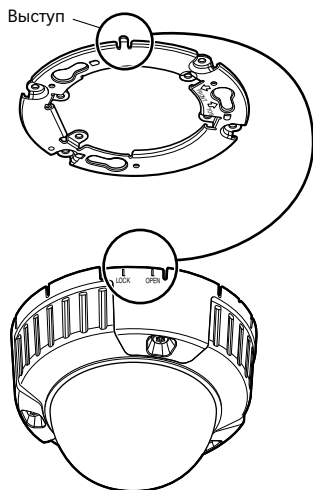
- 1 Установите приспособление для монтажа камеры (поставляется в комплекте с камерой) на ее раму.

Используйте 4 винта M4-L8 (поставляются в комплекте с камерой), чтобы надежно закрепить приспособление для монтажа камеры, как показано на рисунке. (Рекомендуемый крутящий момент при затяжке винтов: 0,78 N·m)



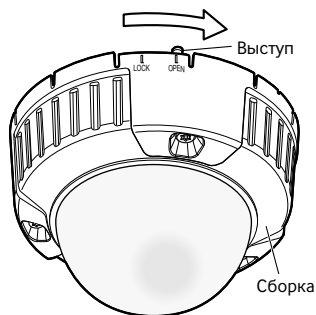
- 2 Подсоедините кабели камеры.

- ③ Совместите метку "OPEN" на камере с выступом приспособления для монтажа камеры.



Установите камеру с помощью приспособления для монтажа камеры.

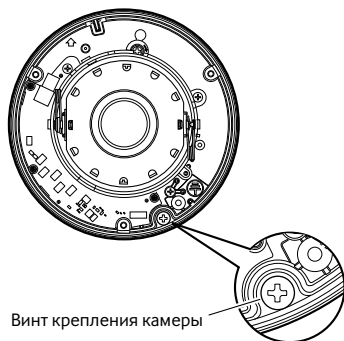
- ④ Вращайте камеру в направлении стрелки так, чтобы выступ приспособления для монтажа камеры был совмещен с положением "LOCK", чтобы исключить какой-либо люфт между камерой и приспособлением для монтажа камеры.



- ⑤ Используйте муфту привода (поставляется с камерой) для ослабления винтов, которые крепят сборку камеры, и снимите сборку с основного корпуса камеры. Закрепите камеру на приспособлении для монтажа камеры винтом крепления камеры (красного цвета). (Рекомендуемый крутящий момент при затяжке винтов: 0,78 N·m)

ВАЖНО:

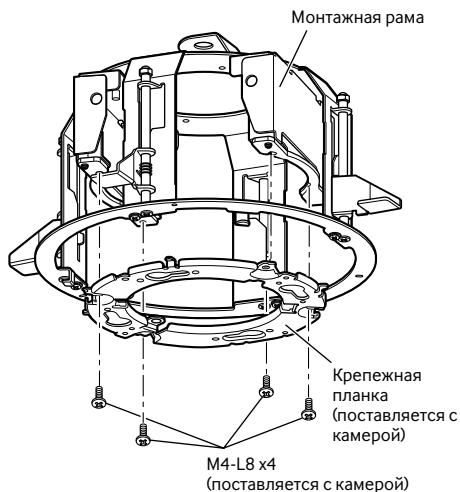
- Винт крепления камеры должен быть затянут плотно. В противном случае может возникнуть повреждение или неисправность в работе камеры под воздействием воды, либо же падение камеры, которое может привести к травмированию. (Рекомендуемый крутящий момент при затяжке винтов: 0,78 N·m)



- ⑥ Отрегулируйте положение камеры. См. руководство по эксплуатации камеры.
- ⑦ Используйте муфту привода (поставляется с камерой) для затяжки винтов, которые крепят сборку камеры, и установите сборку на основной корпус камеры.

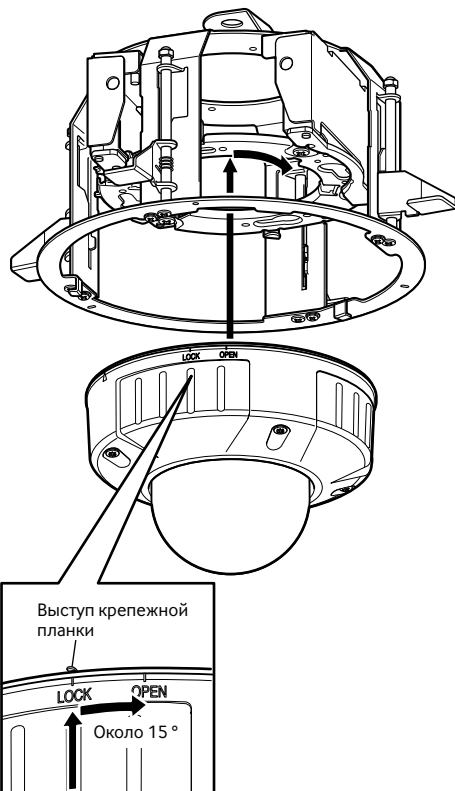
<Установка WV-SFV631L, WV-SFV611L>

- 1 Установите крепежную планку (поставляется в комплекте с камерой) на ее монтажную раму. Используйте 4 винта M4-L8 (поставляются в комплекте с камерой), чтобы надежно закрепить крепежную планку, как показано на рисунке. (Рекомендуемый крутящий момент при затяжке винтов: 0,78 N·m)



- 2 Подсоедините кабели камеры.

- 3 Совместите метку "OPEN" на камере с выступом крепежной планки. Установите камеру путем вставки установочных винтов крепления в отверстия крепежной планки. Вращайте камеру в направлении стрелки так, чтобы выступ крепежной планки был совмещен с положением "LOCK", чтобы исключить какой-либо люфт между камерой и крепежной планкой.



- ④ Ослабьте 4 крепежный винт сборки с помощью привода (поставляется с камерой). Снимите сборку с камеры и закрепите ее с помощью винта крепления камеры.

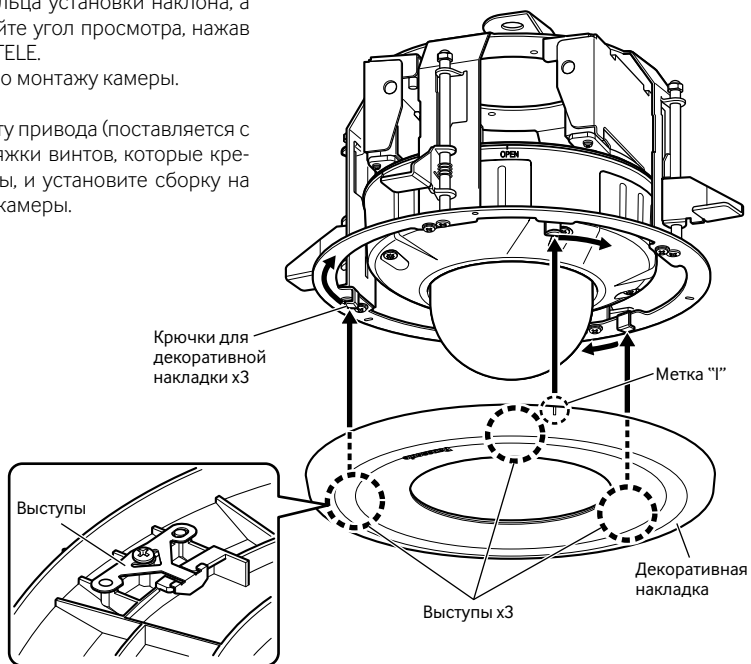
ВАЖНО:

- Следует обязательно затянуть винт крепления камеры. Несоблюдение этого требования может привести к неисправности в работе камеры из-за ее падения. (Рекомендуемый крутящий момент при затяжке винтов: 0,78 N·m)
- ⑤ Отрегулируйте угол камеры с помощью наклонной поверхности, горизонтальной поверхности и кольца установки наклона, а затем отрегулируйте угол просмотра, нажав кнопки WIDE или TELE.
См. руководство по монтажу камеры.
- ⑥ Используйте муфту привода (поставляется с камерой) для затяжки винтов, которые крепят сборку камеры, и установите сборку на основной корпус камеры.

Шаг 9

Установите декоративную накладку на данный монтажный кронштейн.

- Совместите метку "I" декоративной накладки, поставляемой в комплекте с данной монтажной рамой, с крючком монтажной рамы, придавите декоративную накладку к потолку и поверните ее по часовой стрелке, контролируя снизу для декоративной накладки.
- В комплект входят два типа декоративной накладки. Для WV-SFV631L и WV-SFV611L используйте накладку, чей диаметр отверстия для крышки куполообразной головки меньше. Для других моделей, используйте накладку, чей диаметр отверстия больше.



Технические характеристики

Температура окружающей среды:	от -45 °С до +50 °С
Размеры:	211,3 мм в диаметре x 133,8 мм в глубине забивки
Масса:	Около 870 g
Отделка:	Главный корпус: Металл
Декоративная накладка:	АБС-пластик с легким покрытием из металлического серебра

Стандартные аксессуары

Инструкция по эксплуатации (данная книга)..... 1 шт.

Следующие детали используются при монтаже.

Страховочный трос для предотвращения падения..... 1 шт.

Угловой кронштейн для страховочного троса для предотвращения падения..... 1 шт.

Шаблон А..... 1 шт.

Шаблон В..... 1 шт.

Декоративная накладка..... 2 шт.

[Русский язык]

Декларация о Соответствии Требованиям Технического Регламента об Ограничении Использования некоторых Вредных Веществ в электрическом и электронном оборудовании (утверждённого Постановлением №1057 Кабинета Министров Украины)

Изделие соответствует требованиям Технического Регламента об Ограничении Использования некоторых Вредных Веществ в электрическом и электронном оборудовании (ТР ОИВВ).

Содержание вредных веществ в случаях, не предусмотренных Дополнением №2 ТР ОИВВ:

1. свинец (Pb) – не превышает 0,1 % веса вещества или в концентрации до 1000 миллионных частей;
2. кадмий (Cd) – не превышает 0,01 % веса вещества или в концентрации до 100 миллионных частей;
3. ртуть (Hg) – не превышает 0,1 % веса вещества или в концентрации до 1000 миллионных частей;
4. шестивалентный хром (Cr⁶⁺) – не превышает 0,1 % веса вещества или в концентрации до 1000 миллионных частей;
5. полибромбифенолы (PBB) – не превышает 0,1 % веса вещества или в концентрации до 1000 миллионных частей;
6. полибромдифеноловые эфиры (PBDE) – не превышает 0,1 % веса вещества или в концентрации до 1000 миллионных частей.

[Українська мова]

Декларація про Відповідність Вимогам Технічного Регламенту Обмеження Використання деяких небезпечних речовин в електричному та електронному обладнанні (затвердженого Постановою №1057 Кабінету Міністрів України)

Виріб відповідає вимогам Технічного Регламенту Обмеження Використання деяких небезпечних речовин в електричному та електронному обладнанні (ТР ОБНП).

Вміст небезпечних речовин у випадках, не обумовлених в Додатку №2 ТР ОБНП :

1. свинець(Pb) – не перевищує 0,1 % ваги речовини або в концентрації до 1000 частин на мільйон;
2. кадмій (Cd) – не перевищує 0,01 % ваги речовини або в концентрації до 100 частин на мільйон;
3. ртуть(Hg) – не перевищує 0,1 % ваги речовини або в концентрації до 1000 частин на мільйон;
4. шестивалентний хром (Cr⁶⁺) – не перевищує 0,1 % ваги речовини або в концентрації до 1000 частин на мільйон;
5. полібромбіфеноли (PBB) – не перевищує 0,1 % ваги речовини або в концентрації до 1000 частин на мільйон;
6. полібромдифенілові ефіри (PBDE) – не перевищує 0,1 % ваги речовини або в концентрації до 1000 частин на мільйон.

For U.S. and Canada:

i-PRO Americas Inc.

For Europe and other countries:

i-PRO EMEA B.V.

<https://www.i-pro.com/>

Printed in China
Gedruckt in China
Imprimé en Chine
Impreso en China
Stampato in Cina

Напечатано в Китае