

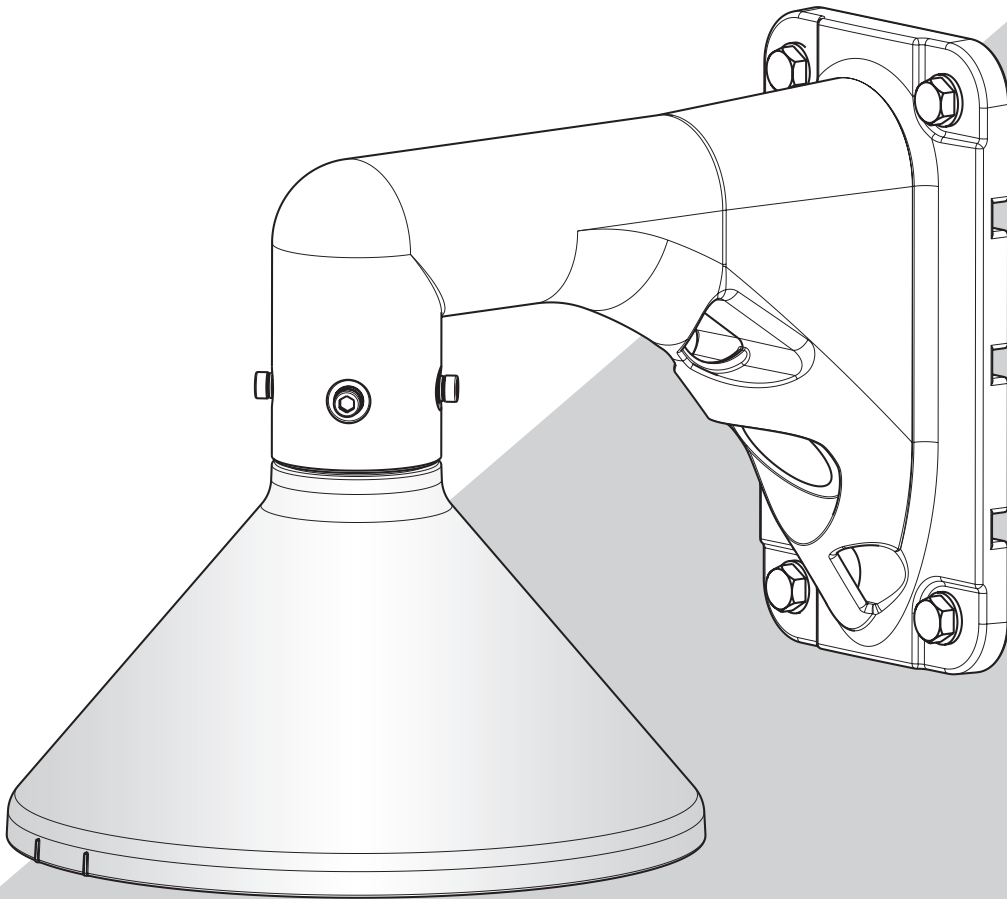
PRO

Operating Instructions

Included Installation Instructions

Wall Mount Bracket

Model No. **WV-Q185**



The bracket in the illustration is separately sold.

Before attempting to connect or operate this product,
please read these instructions carefully and save this manual for future use.

The model number is abbreviated in some descriptions in this manual.

CONTENTS

Preface	3
Precautions	3
Precautions for installation	4
Parts and functions	5
Installations/Connections	6
Specifications	10
Standard accessories	10

Preface

This mount bracket is used for installing WV-Q186 (Mount bracket) or WV-Q187 (Mount bracket). Refer to the operating instructions of WV-Q186 or WV-Q187 for further information about the compatible camera models.

Precautions

Refer installation work to the dealer.

Installation work requires technique and experiences. Failure to observe this may cause fire, electric shock, injury, or damage to the product. Be sure to consult the dealer.

Periodic inspections shall be conducted.

Rust on the metal parts or screws may cause a fall of the product resulting in injury or accidents. Consult the dealer for the inspections.

The exclusively designed mount bracket shall be used.

Failure to observe this may cause a drop resulting in injury or accidents. Use the exclusively designed mount bracket for installation.

The screws and bolts must be tightened to the specified torque.

Failure to observe this may cause a drop resulting in injury or accidents.

Select an installation area that can support the total weight.

Selecting an inappropriate installation surface may cause this product to fall down or topple over, resulting in injury or accidents. Installation work shall be started after sufficient reinforcement.

Do not install this product in locations subject to vibration.

Loosening of mounting screws or bolts may cause a fall of the product resulting in injury or accidents.

Install this product in a location high enough to avoid people and objects from bumping the product.

Failure to observe this may cause injury.

The measures of protection against snowfall shall be taken.

Weight of snow may cause a fall of the product resulting in injury or accidents. Protect the product against snowfall by installing under eaves.

Avoid installing this bracket in the locations where salt damage occurs or corrosive gas is produced.

Otherwise, the mounting portions will deteriorate and accidents such as a fall of this product may occur.

Do not hang down from this product or use this product as a pedestal.

Failure to observe this may cause injury or accidents.

Do not install this product on a place that is greatly influenced by wind.

Installation on a place where the wind speed is 60 m/s {approx. 134 mph} or more may cause a fall of the product resulting in injury or accidents.

Do not use this bracket except with specified cameras.

Failure to observe this may cause a drop resulting in injury or accidents.

Do not rub the edges of metal parts with your hand.

Strong rubbing may cause injury.

Precautions for installation

i-PRO Co., Ltd. assumes no responsibility for injuries or property damage resulting from failures arising out of improper installation or operation inconsistent with this documentation.

Installation area for this product

Consult the dealer about the installation area to select a strong wall area.

- Screws used for installing this product on a wall are not supplied. Prepare them according to the material and strength of the area where the product is to be installed. Recommended screw*: M10 x 4 pcs.
Minimum pull-out strength (per 1 pc.): 823 N {185 lbf}
*When using "M8" screws for reinstallation, make sure to prepare 4 plain washers and use them together.
- Do not mount the product on a plaster board or a wooden section because they are too weak. If the product is unavoidably mounted on such a section, the section shall be sufficiently reinforced.

Take notice of humidity.

Install this product when the humidity is low. If installation is performed when it is raining or in very humid conditions, the inside may be affected by humidity, causing mist-over inside the Camera.

Mounting method for this product

This product is designed to be used as a pendant mount camera. If the product is mounted on a desktop or at a slant, it may not work correctly and its lifetime may be shortened.

Protection from lightning

When cables are used outdoors, there is a chance that they may be affected by lightning. In such a case, install a lightning arrester close to the camera, and make the length of the network cable between the camera and lightning arrester as short as possible to prevent the camera from being damaged by lightning.

Do not place this product in the following places:

- Locations where a chemical agent is used such as a swimming pool
- Locations subject to moisture or oil smoke such as a kitchen
- Locations that have a specific environment that is subject to an inflammable atmosphere or solvents
- Locations where radiation, x-ray, intense radio wave, or strong magnetism is produced
- Locations near coasts directly subjected to sea breezes, or locations subject to corrosive gases such as from hot springs, volcanic regions, etc.
- Locations where the temperature is not within the specified range (The ambient operating temperature of the installed camera.)
- Locations subject to vibrations, such as on vehicles, marine vessels, or above product lines (This product is not designed for onvehicle use.)
- Locations subject to condensation as the result of severe changes in temperature (In case of installing the product in such locations, the inside of camera may become foggy or condensation may be caused in the camera.)

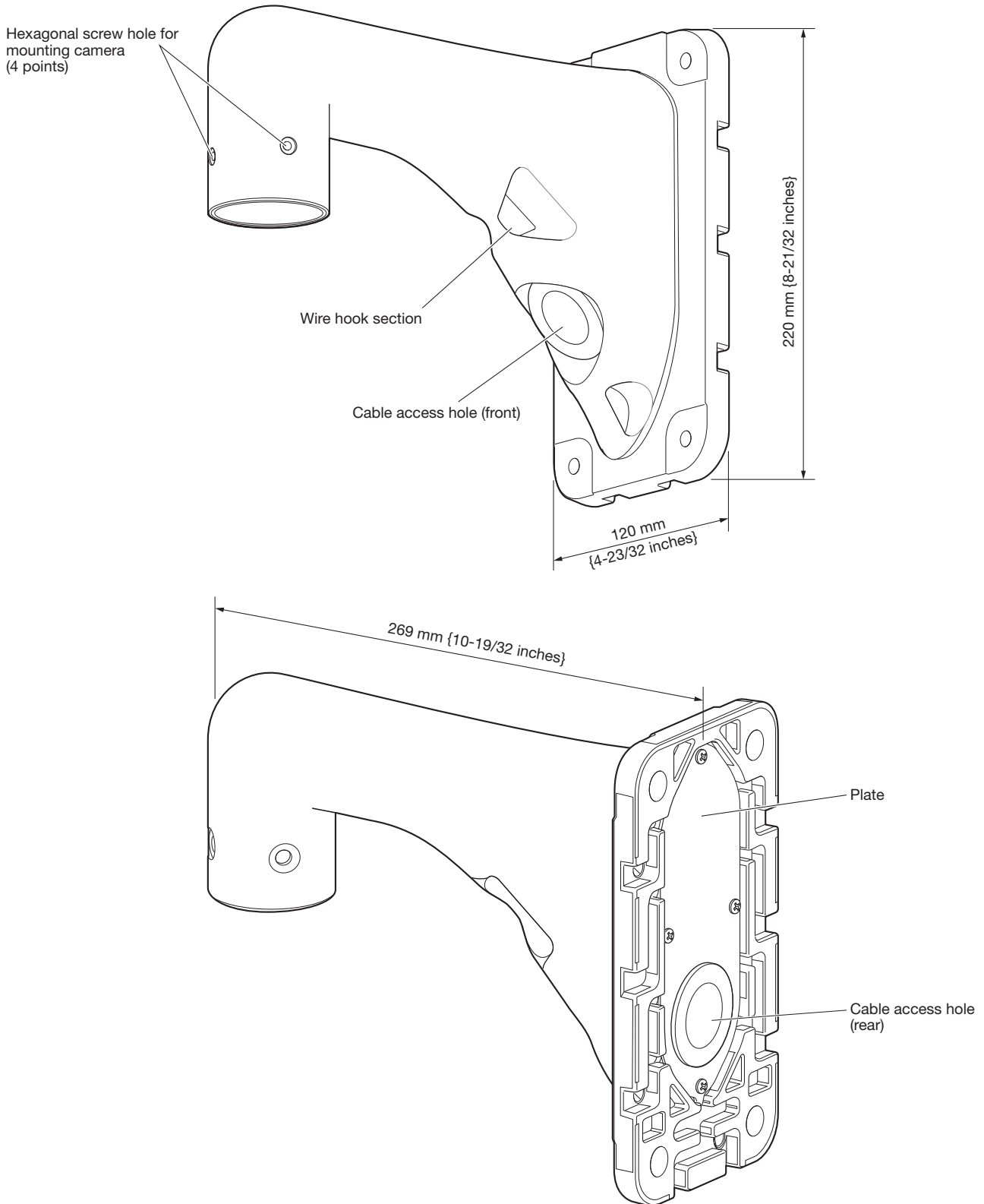
Screw tightening

- The screws and bolts must be tightened with an appropriate tightening torque according to the material and strength of the installation area.
- Do not use an impact driver. Use of an impact driver may damage the screws or cause tightening excessively.
- When a screw is tightened, make the screw at a right angle to the surface. After tightening the screws or bolts, perform checks to ensure that the tightening is sufficient enough so that there is no movement or looseness.

The protection cover attached to the camera unit shall be removed after completion of the installation. (rain wash coating model)

Make sure to remove this product if it will no longer be used.

Parts and functions



Installations/Connections

Be sure to read "Precautions" and "Precautions for installation" before installation. Read the operating instructions for WV-Q186 or WV-Q187 to be installed as well.

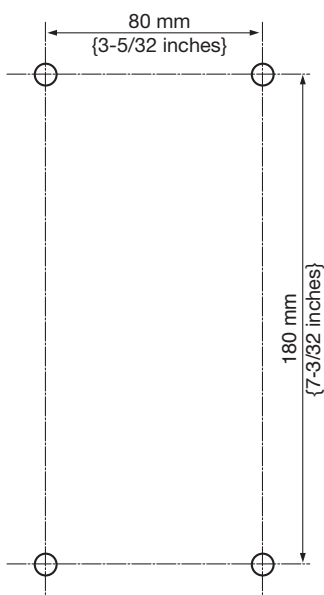
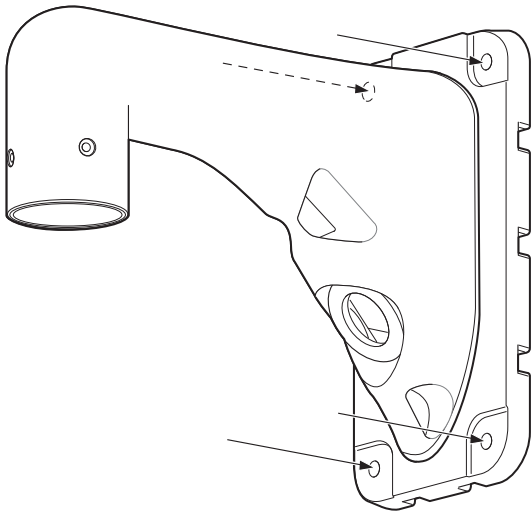
The installation of the wall mount bracket is roughly divided into 2 methods. Refer to the applicable description.

- When laying cables through the cable access hole (front) (☞ 6 page)
- When laying cables after drilling a hole through the wall (☞ 8 page)

■ When laying cables through the cable access hole (front)

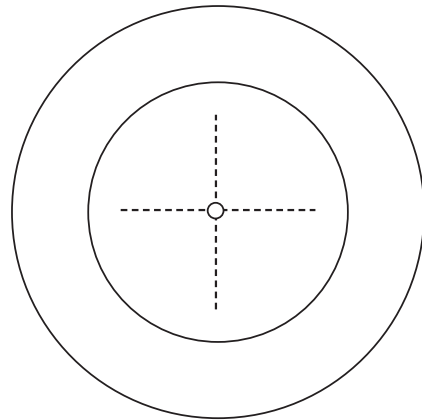
Step 1

Decide the mounting position and drill a hole in the wall. Procure 4 pieces of M10 screws or anchors to secure the this bracket on the wall. All screws and anchors shall be stainless steel. The hole diameter shall be decided in accordance with the screws or anchors to be used.



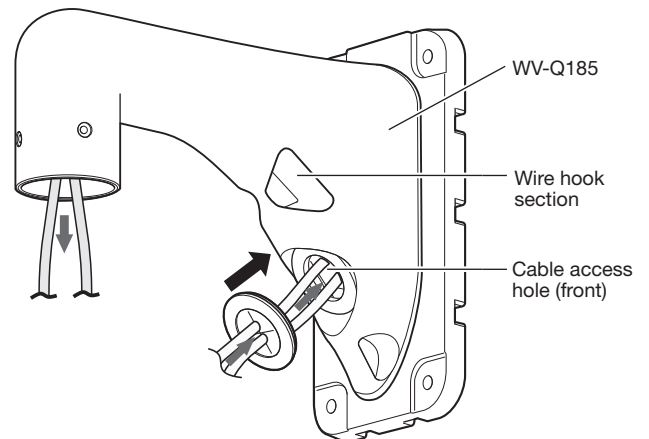
Step 2

Make a slit in the center of the cable cap (accessory) with a cutter.



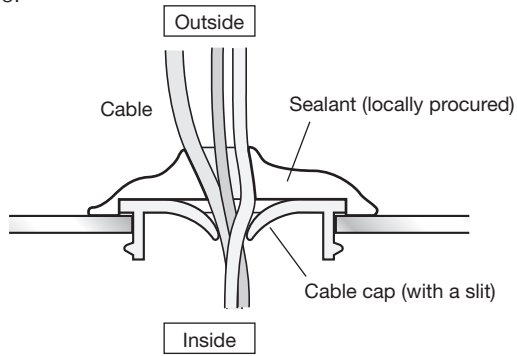
Step 3

Thread the cable through the slit cable cap and wall mount bracket (WV-Q185) successively. For the cable length that needs pulling out in advance, please refer to the operating instructions of WV-Q186 or WV-Q187.



Step 4

Seal the slit of the cable cap for the prevention of water leakage.

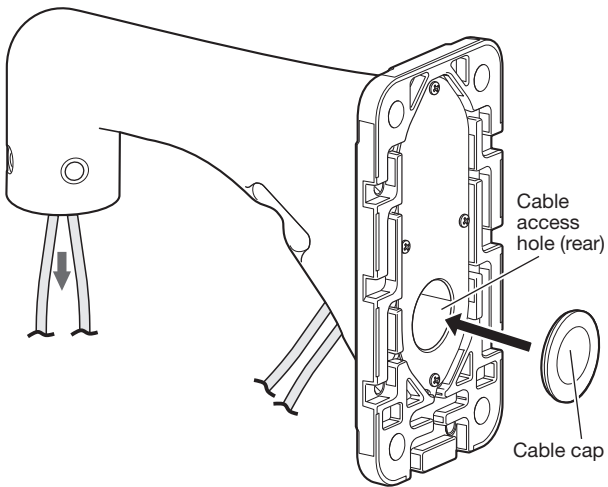


Step 7

For the installation method of WV-Q186 or WV-Q187 as well as the connection and storage of the cables, please refer to the operating instruction of WV-Q186 or WV-Q187.

Step 5

Mount another cable cap (accessory) on the rear plate.

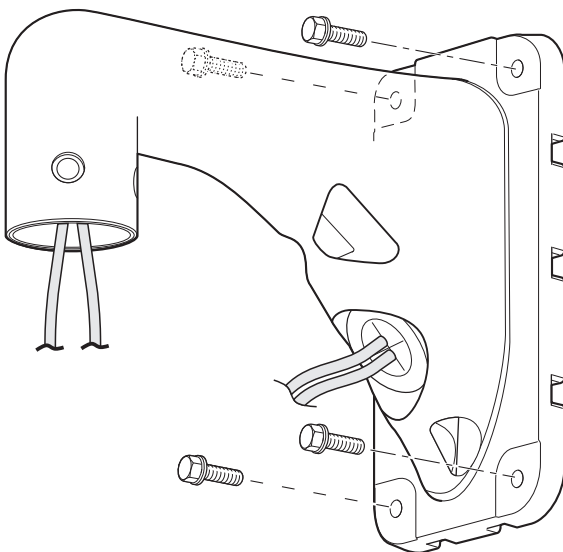


Step 6

After waterproofing the hole for fixing mount bracket, and the cap part on rear surface of mount bracket, fix the mount bracket on the installation surface.

Mount the wall mount bracket on the wall with 4 screws (M10: locally procured).

Minimum pull-out strength: 823 N {185 lbf}/per 1 pc.



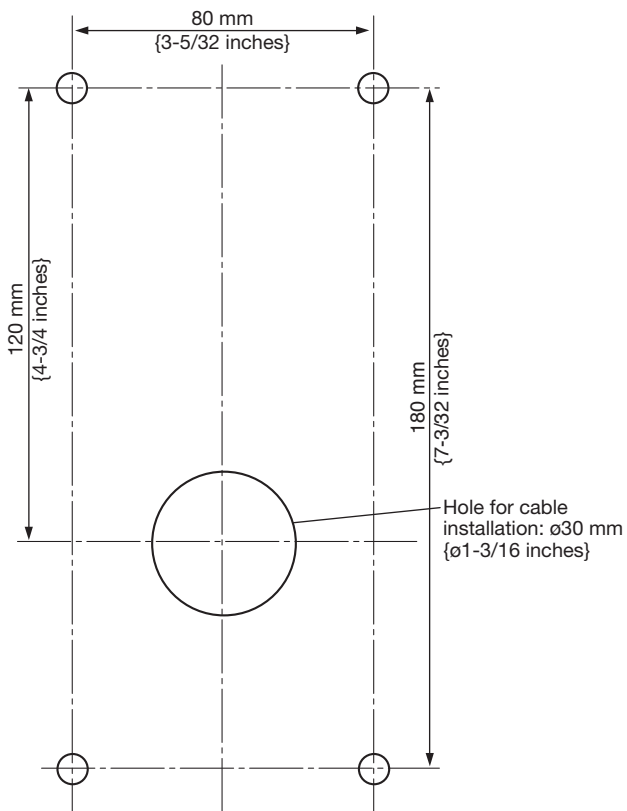
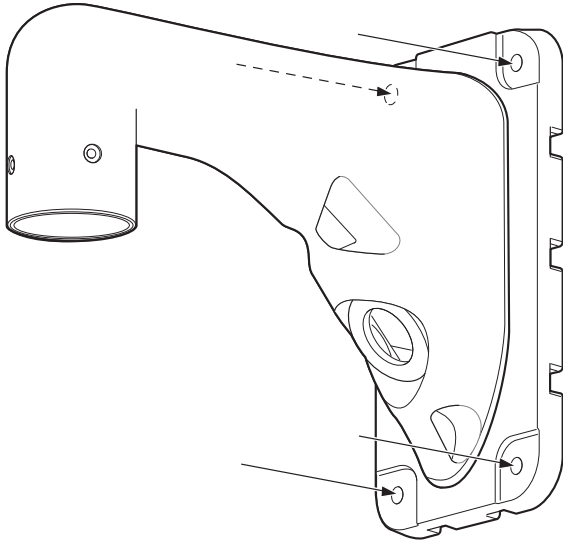
■ When laying cables after drilling a hole through the wall

Step 1

Decide the mounting position, and drill a hole for a screw or an anchor and a hole for cable installation in the wall. Procure 4 pieces of M10 screws and anchors to secure the this bracket on the wall.

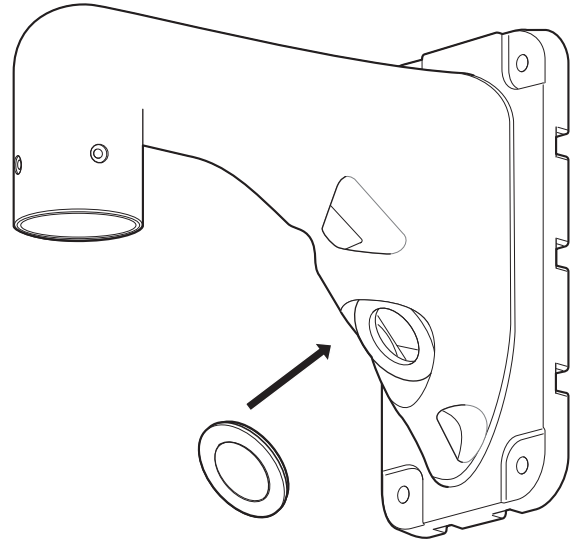
All screws and anchors shall be stainless steel. The hole diameter shall be decided in accordance with the screws and anchors to be used.

A hole on the wall with a diameter of 30 mm { ϕ 1-3/16 inches} or less for a screw or an anchor can be hidden with this bracket.



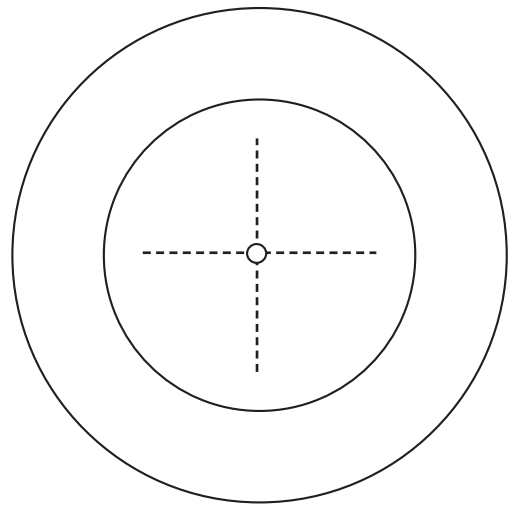
Step 2

Mount the cable cap (accessory) on the cable access hole (front).



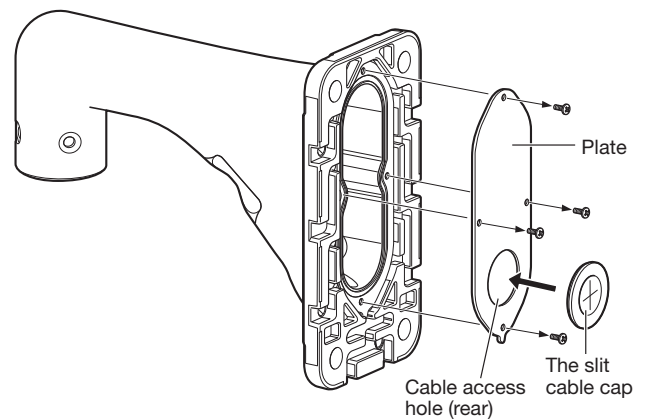
Step 3

Make a slit in the center of another cable cap (accessory) with a cutter.



Step 4

Remove the 4 screws from the rear side of the bracket, remove the plate, and mount the cable cap that was slit in Step 3.



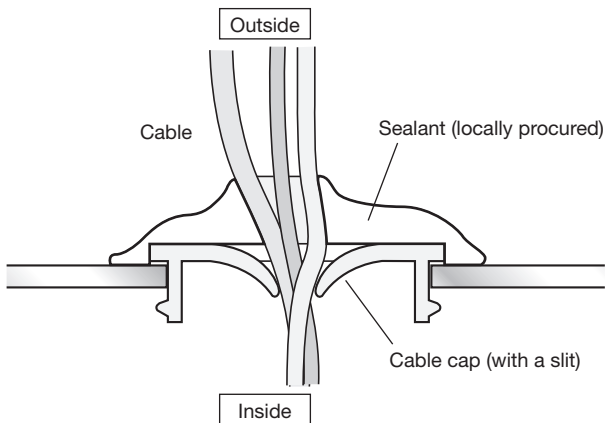
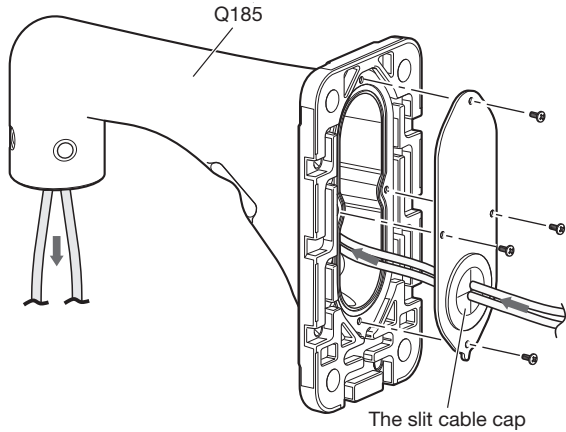
Step 5

Thread the cables in the cable access holes in the wall through the slit cable cap and mount bracket (WV-Q185) successively.

For the cable length that needs pulling out in advance, please refer to the operating instruction of WV-Q186 or WV-Q187.

Secure the plate with the 4 screws removed in Step 4 on the rear side of the bracket, and seal the slit of the cable cap.

(Recommended tightening torque: 0.78 N·m {0.58 lbf·ft})

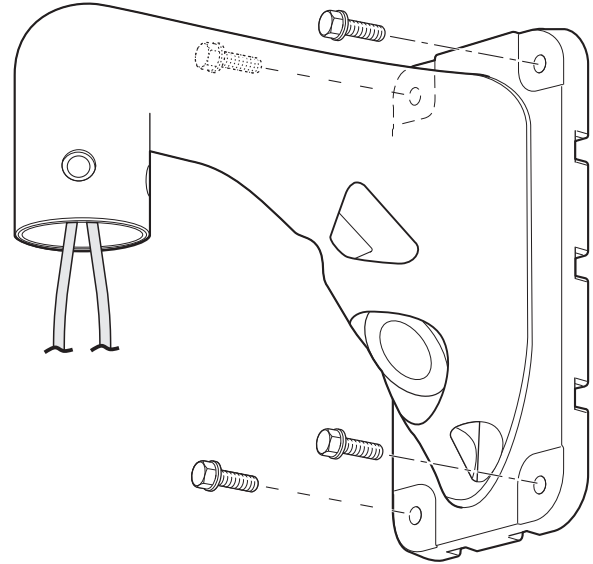


Step 6

After waterproofing the hole for fixing mount bracket, the port for pulling out the cable on installation surface, and the cap part on rear surface of mount bracket, fix the mount bracket on the installation surface.

Mount this bracket on the wall with 4 screws (M10: locally procured).

Minimum pull-out strength: 823 N {185 lbf}/per 1 pc.



Step 7

For the installation method of WV-Q186 or WV-Q187 as well as the connection and storage of the cables, please refer to the operating instruction of WV-Q186 or WV-Q187.

Specifications

Ambient operating temperature: -50 °C to +60 °C {-58 °F to 140 °F}
Dimensions: 120 mm (W) x 220 mm (H) x 269 mm (D)
{4-23/32 inches (W) x 8-21/32 inches (H) x 10-19/32 inches (D)}
Mass: Approx. 2 kg {4.42 lbs}
Finish: Aluminum die cast Light grey

Weight and dimensions indicated are approximate.
Specifications are subject to change without notice.

Standard accessories

Operating Instructions (this document)..... 1 set

The following are for installation

Cable cap..... 2 pcs.

M6 hex socket screws..... 5 pcs.(of them, 1 for spare)

For U.S. and Canada:

i-PRO Americas Inc.

For Europe and other countries:

i-PRO EMEA B.V.

<https://www.i-pro.com/>