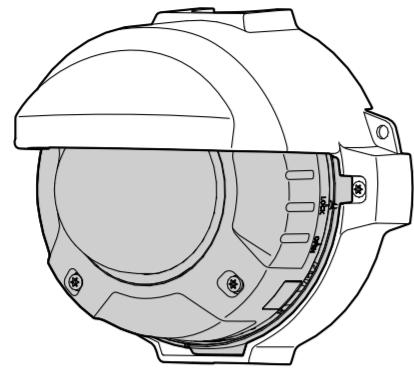


Operating Instructions

Included Installation Instructions

Wall Mount Bracket

Model No. **WV-Q7118**
WV-QSR500-W



- Before attempting to connect or install this product, please read these instructions carefully and save this manual for future use.
- The external appearance and other parts shown in this manual may differ from the actual product within the scope that will not interfere with normal use due to improvement of the product.

i-PRO Co., Ltd. assumes no responsibility for injuries or property damage resulting from failures arising out of improper installation or operation inconsistent with this documentation.

For U.S. and Canada:

i-PRO Americas Inc.

For Europe and other countries:

i-PRO EMEA B.V.

<https://www.i-pro.com/>

© i-PRO Co., Ltd. 2022

PGQX2384YA
Ns0520-1042
Printed in China

Caution:

- Before attempting to connect or operate this product, please read these instructions carefully.

Notice:

- This product is not suitable for use in locations where children are likely to be present.
- Do not install this product in locations where ordinary persons can easily reach.
- For information about screws and brackets required for installation, refer to the corresponding section of this document.

Precautions

Do not use this bracket except with specified cameras or mount brackets.

Failure to observe this may cause a drop resulting in injury or accidents.

Refer installation work to the dealer.

Installation work requires technique and experience. Failure to observe this may cause fire, electric shock, injury, or damage to the product.

Be sure to consult the dealer.

The measures of protection against a fall of this product shall be taken.

Failure to observe this may cause a drop resulting in injury or accidents. Be sure to install the safety wire.

Do not rub the edges of metal parts with your hand.

Failure to observe this may cause injury.

When using this product, also read the "Precautions" described in the operating instructions for the camera to be attached.

Preface

This bracket is the sunshade bracket for a dome camera for outdoor use. For the latest information about the supported cameras and mount brackets, refer to our support website (https://i-pro.com/global/en/surveillance/training_support/support/technical_information <Control No.: C0501>).

Specifications

Ambient operating temperature:	-50 °C to +60 °C {-58 °F to +140 °F}		
Dimensions:	Diameter:	Max. 199 mm {7-13/16 inches}	
	Height:	162 mm {6-3/8 inches}	
Mass:	Approx. 540 g {1.19 lbs}		
Finish:	Aluminum die cast	WV-Q7118	: Light gray
		WV-QSR500-W	: i-PRO white

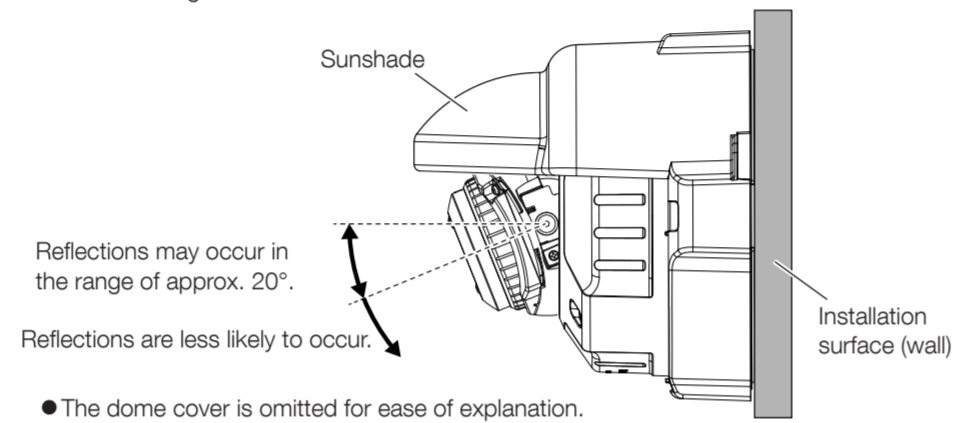
Precautions for installation

In order to prevent injury, the product must be securely mounted to the wall according to the Installation Guide of this bracket.

Make sure to remove this product if it will no longer be used.

Cautions for using the IR LED

When using the IR LED built into the camera to view images in a dark area, if the vertical direction is adjusted towards the surface where the camera is installed (a wall), reflections from the sunshade may cause all or a part of the image to appear washed out. Adjust the tilt so that there are no reflections in the images.



Standard accessories

Operating Instructions (this document).....	1 pc.	Washer.....	1 pc.
Sunshade mount bracket*	1 pc.	Spring washer	1 pc.
Safety wire.....	1 pc.	Bit (Hex wrench, screw size 6.35 mm {1/4 inches} T20)	1 pc.

* The sunshade mount bracket is packaged in a state attached to the sunshade.

Other items that are needed (not included)

Fixing screws (M4)..... 5 pcs.
(4 pcs. for fixing the sunshade mount bracket and 1 pc. for fixing the safety wire)

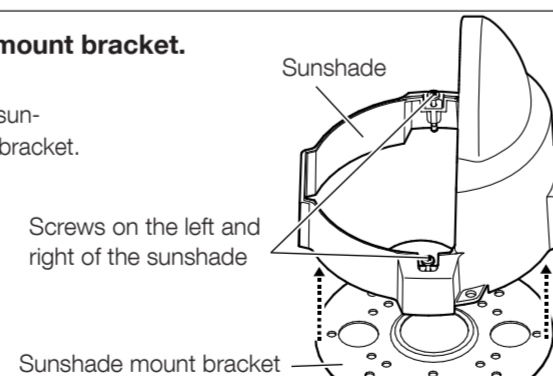
IMPORTANT

- Minimum pullout strength: 196 N {44 lbf} (per 1 pc.)
- This value indicates the minimum pull-out strength required value per screw. For information about the minimum pull-out strength, refer to our support website (https://i-pro.com/global/en/surveillance/training_support/support/technical_information <Control No.: C0120>).
- Select screws according to the material of the location that the camera will be mounted to. In this case, wood screws and nails should not be used.

Preparations

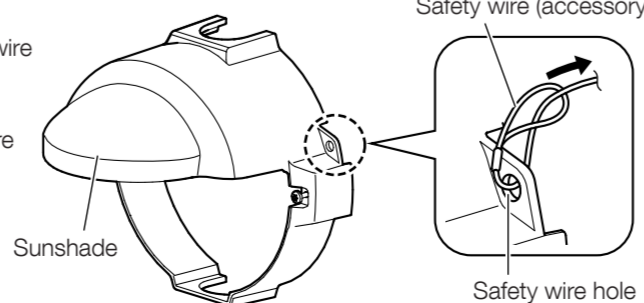
Step 1 Remove the sunshade mount bracket.

Loosen the screws on the left and right of the sunshade, and then remove the sunshade mount bracket.



Step 2 Attach the safety wire (accessory) to the sunshade.

- 1 Pass the lopped end of the safety wire through the safety wire hole on the sunshade.
- 2 Pass the other end of the safety wire through the lopped end passed through the safety wire hole.



Installation

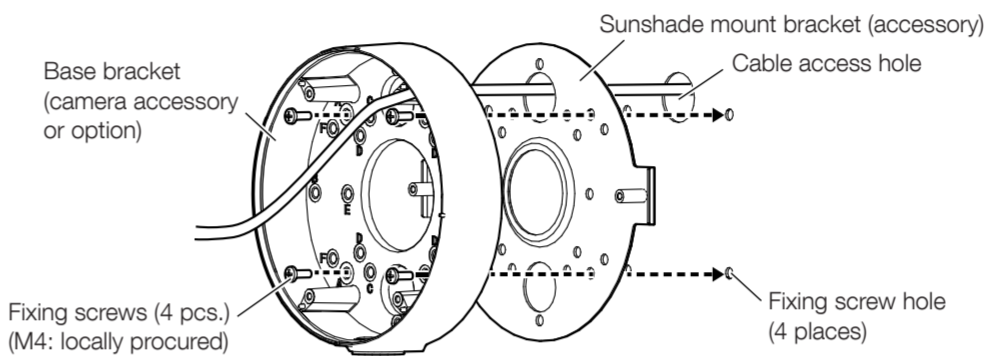
Refer to the operating instructions of the camera for details on the camera installation (including the camera mounting, cable connection and adjustment).

Step 1 Install the sunshade mount bracket and the base bracket on the installation surface.

- 1 Prepare the fixing screw holes to fix the sunshade mount bracket (accessory) and the base bracket (camera accessory or option) using template B provided with the camera or the option.
- 2 If necessary, prepare also a cable access hole using template B.
- 3 Fix the sunshade mount bracket and the base bracket using four fixing screws (M4: locally procured) as shown in the illustration below.
Minimum pull-out strength: 196 N {44 lbf} (per 1 pc.)

Note:

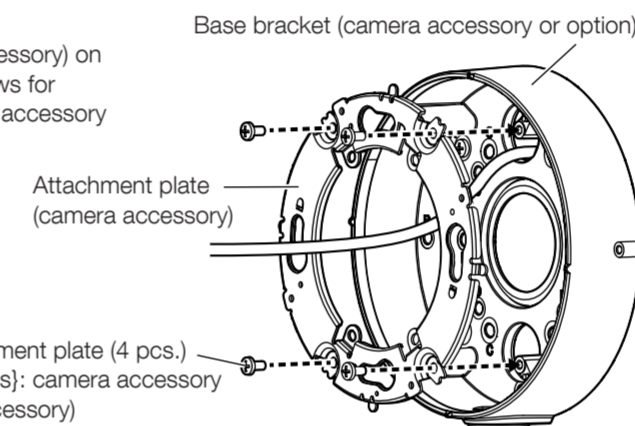
- When installing this product outdoors, be sure to apply waterproofing to the cable access hole and the fixing screw holes.



Step 2 Fix the attachment plate on the base bracket.

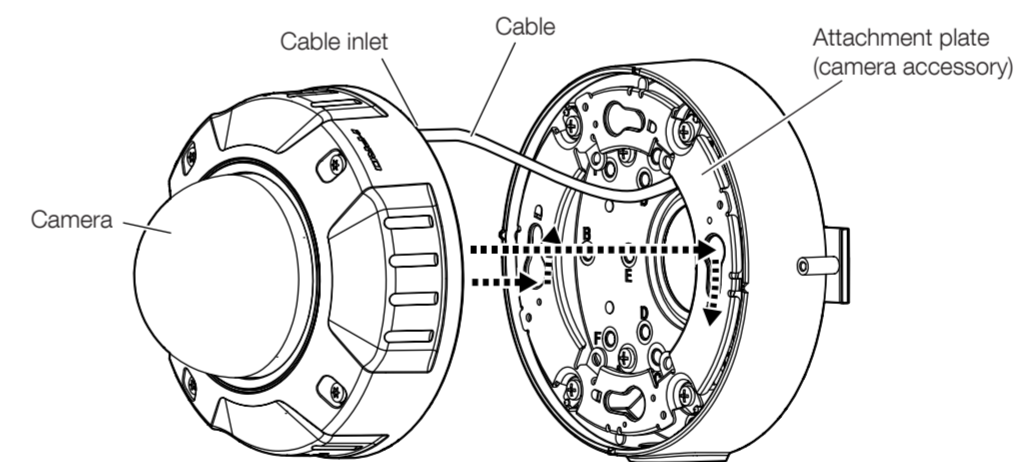
Fix the attachment plate (camera accessory) on the base bracket with four fixing screws for attachment plate (M4x8 mm: camera accessory or optional product accessory).

Recommended tightening torque: 0.78 N·m {0.58 lbf·ft}



Step 3 Connect the cables and mount the camera on the attachment plate.

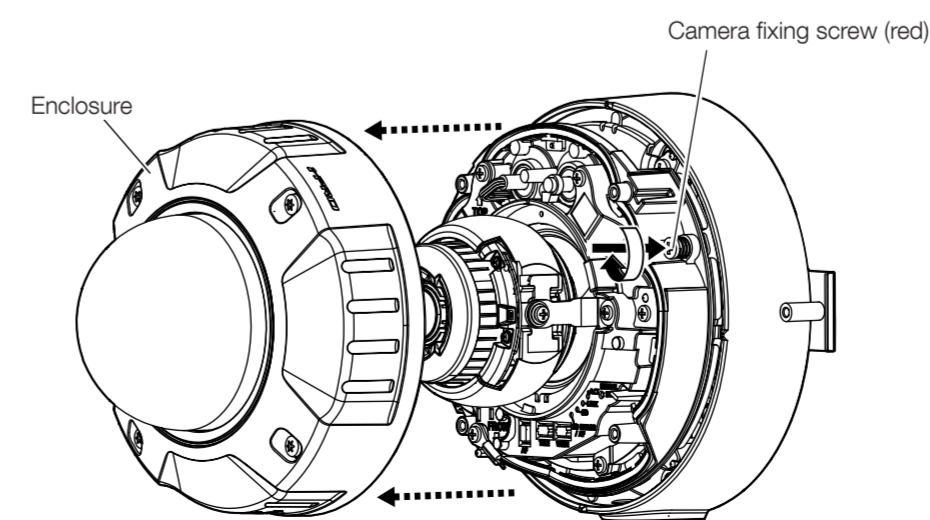
When mounting the camera, be sure that the cable inlet is located at the upper side.



Step 4 Fix the camera.

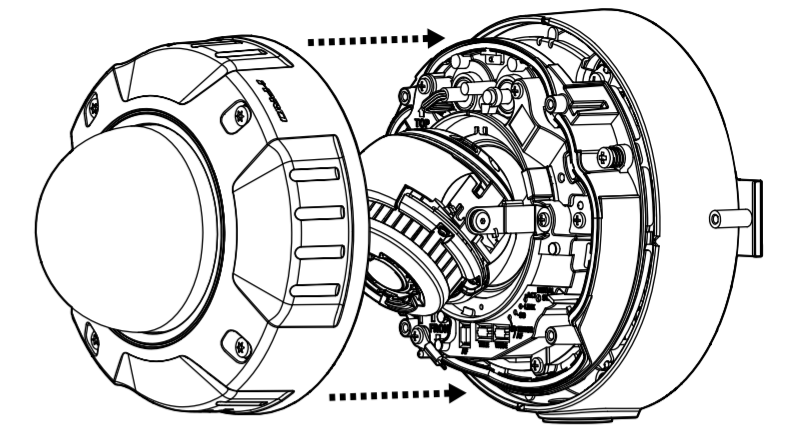
Remove the enclosure from the camera and fix the camera firmly by tightening the camera fixing screw (red).

Recommended tightening torque: 0.78 N·m {0.58 lbf·ft}



Step 5 Adjust the camera.

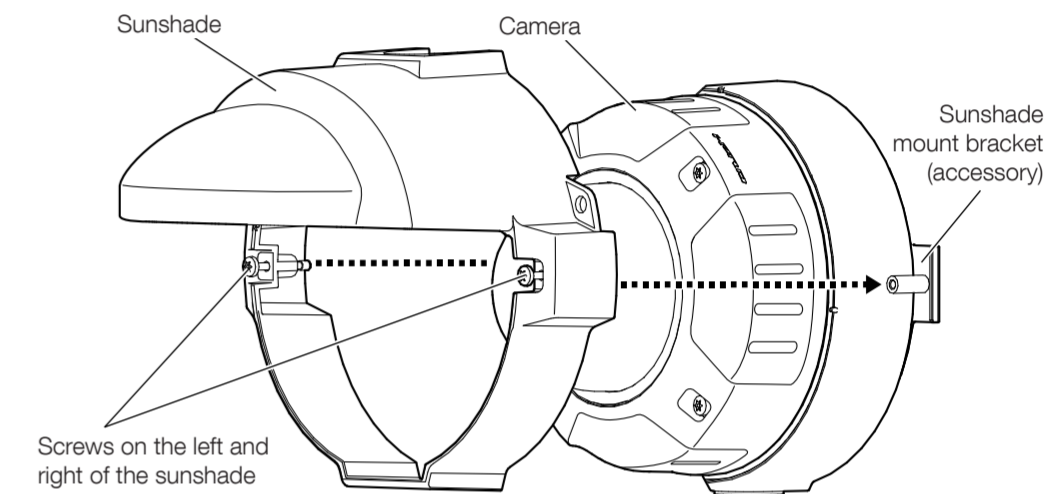
After adjusting the angle of view, attach the enclosure to the camera as it was before. Recommended tightening torque: 0.78 N·m {0.58 lbf·ft}



Step 6 Mount the sunshade.

Attach the sunshade to the upper side of the camera and fix it on the sunshade mount bracket with the screws on the left and right of the sunshade using the bit (accessory).

Recommended tightening torque: 0.78 N·m {0.58 lbf·ft}



Step 7 Fix the safety wire.

Fix the safety wire attached to the sunshade to the foundation part of the construction or a part where an adequate strength can be secured. Prepare a fixing screw (M4: locally procured) according to the material of the surface where the safety wire is to be fixed.

Minimum pull-out strength: 196 N {44 lbf} (per 1 pc.)

