

PSC series power supply

Power supply 13,8V DC, IP67



CODE: **PSC13008** v1.0/IX
 TYPE: **PSC 13,8V/0,8A/55MM Power supply**

EN

Features of the power supply:

- power output 0,8A/13,8VDC*
- universal AC input voltage range 90÷264V
- high efficiency 77%
- standby power <0,3W
- efficiency level: V
- IP 67 case
- protections:
 - SCP short-circuit protection
 - overvoltage protection (AC input)
 - overload (OLP)
- warranty – 2 year from the production date



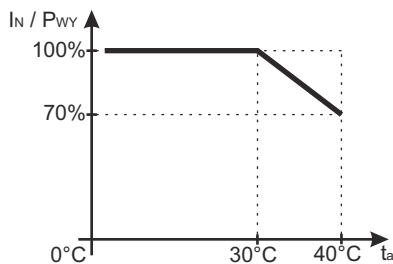
DESCRIPTION

Stabilized DC power supply is intended for supply CCTV cameras that require stabilised voltage of **13,8VDC**. The unit is protected against short-circuit and overload.

TECHNICAL DATA

Supply voltage	90 ÷ 264V AC 50÷60Hz
Current consumption	0,125A@230V AC max.
Supply power	11W max.
Efficiency	77%
Output voltage	13,8VDC
Output current $t_{AMB}<30^{\circ}C$	0,8A instantaneous current - refer to graph 1.
Output current $t_{AMB}=40^{\circ}C$	0,5A - refer to graph 1.
Ripple voltage	100mV p-p max.
Short-circuit protection SCP	electronic, automatic recovery
Overload protection OLP	105-150% of power supply, automatic recovery
Overvoltage protection	varistor (AC input)
IP protection class	IP67
Operation conditions	temperature $0^{\circ}C \div 40^{\circ}C$ relative humidity 20%...90%
Dimensions (LxWxH)	50 x 48 x 25 [mm]
Net/gross weight	0,10kg / 0,125kg
Protection class PN-EN 60950-1:2007	II (second)
Length of DC cable	0,3 m
Length of AC cable	0,3 m
Storage temperature	$-20^{\circ}C \dots +60^{\circ}C$

* In order to extend the life of the power supply, the load current of 0,5A is recommended.



Graph 1.
Relation between output current and ambient temperature (instantaneous load).

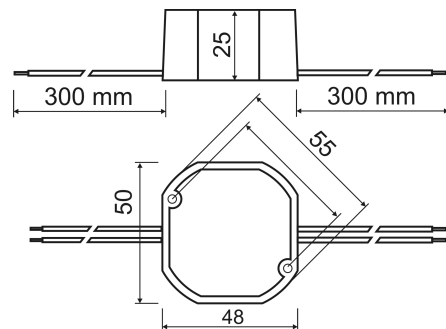
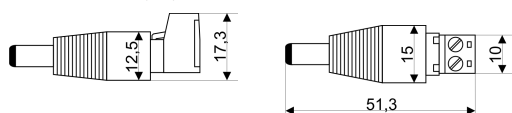


Fig.1 Dimension of power supply.

ACCESORIES

ACCESORIES:
 [1] adapter CABLE - PLUG DC 5,5/2,1 - code ML109



For power supplies are available accessories - fuse blocks and cable adapter. For details –visit www.pulsar.pl.

* Refer to graph 1