

PSCLB series power supply

Buffer switch mode power supply unit 13,8V DC, IP67



CODE: **PSCLB13820** v1.0/II
 TYPE: **PSCLB 13,8V/2A** buffer switch mode power supply unit

EN

Features of the power supply unit:

- DC13,8 V/2 A uninterrupted supply + 0,3 A battery charging current
- universal AC input voltage range 90+264 V
- high efficiency 82%
- battery charging and maintenance control
- deep discharge battery protection (UVP)
- battery output protection against short circuit and reverse polarity connection
- IP 67 case
- protections:
 - SCP short-circuit protection
 - overvoltage protection (AC input)
 - overload (OLP)
- warranty – 2 year from the production date



DESCRIPTION

The buffer power supply is designed for uninterrupted supply of devices requiring stabilized voltage of **12 V DC (+/- 15%)**. The PSU supplies voltage of **13,8 V DC** with current efficiency of **I = 2 A + 0,3 A battery charging**. In the case of mains power failure, the unit will instantly switch to battery power. The power supply unit is protected against short-circuit, overload and overvoltage.

During normal operation, the total current drawn by the device cannot exceed I=2 A. The maximum battery charging current is 0,3 A. The total current of the receivers + battery is max. 2,3 A.

SPECIFICATIONS

Supply voltage	AC 90+264 V/50Hz
Current consumption	0,35 A@230 V max.
Supply power	32 W max.
Efficiency	82%
Output voltage	11 V+ 13,8 V DC – buffer operation 9 V+ 13,8 V DC – battery operation
Output current	2 A + 0,3 A battery charging
Ripple voltage	100mV p-p max.
Battery charging current	0,3 A max.
Current consumption by PSU systems	50mA/13,8 V DC
Short-circuit protection SCP	failure melting fuse in the battery circuit (requires fuse replacement)
Overload protection OLP	150-200% of power supply, automatic recovery
Surge protection (AC input)	varistor
Deep discharge battery protection UVP	U<9 V (+/- 0,5 V) – disconnection of the battery terminal
Fuse	F2 A/250 V, mounted using a positive battery cable (BAT+)
IP protection class	IP67
Operation conditions	temperature -10 °C+40 °C relative humidity 20%...90% without condensation
Dimensions (LxWxH)	150 x 56 x 34 [mm]
Net/gross weight	0,4kg / 0,5kg
Protection class EN 60950-1:2007	II (second)
Length of DC cable	0,5 m + DC plug 5,5 / 2,1 female
Length of AC cable	0,4 m
Storage temperature	-20°C...+60°C

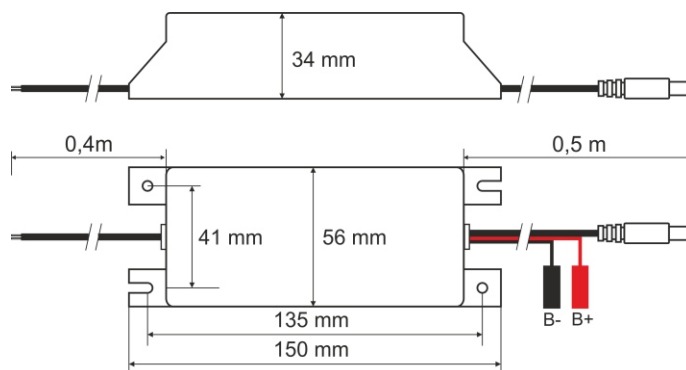


Fig.1 Dimension of power supply.