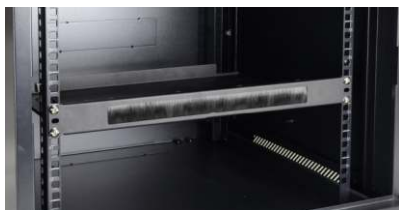
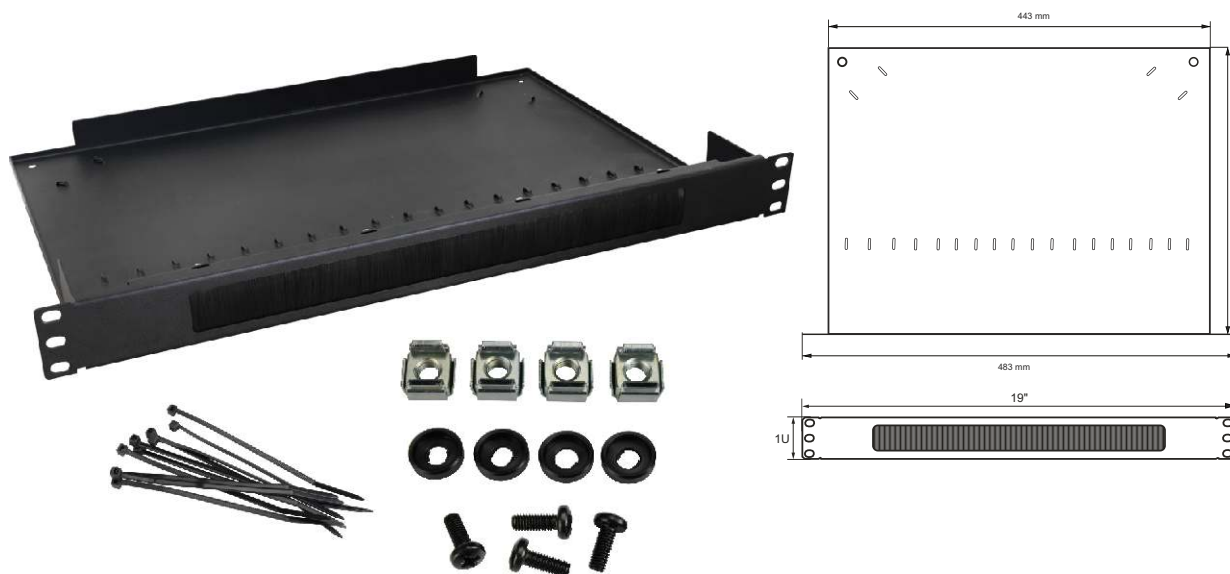


CODE: RAPS-1P v1.0/I
 NAME: Brush grommet with a shelf - RACK 1U

EN**



INTENDED USE

Brush grommet with the RAPS-1P shelf allows aesthetic wiring inside the RACK 19" cabinet.

SPECIFICATIONS

Mounting dimensions:	W=19", H=1U
External dimensions:	W=483, H=43, D=324 [mm, +/-2]
Shelf dimensions:	W=443 D=324 [mm, +/-2]
Net/gross weight:	1,80 / 1,95 [kg]
Materials:	sheet metal 1,2 mm, RAL 9004
Use:	inside
Notes:	- four-point fixing on the front RACK rails - 4 M6 screws, cage nuts, plastic washer + cable ties - 10szt.