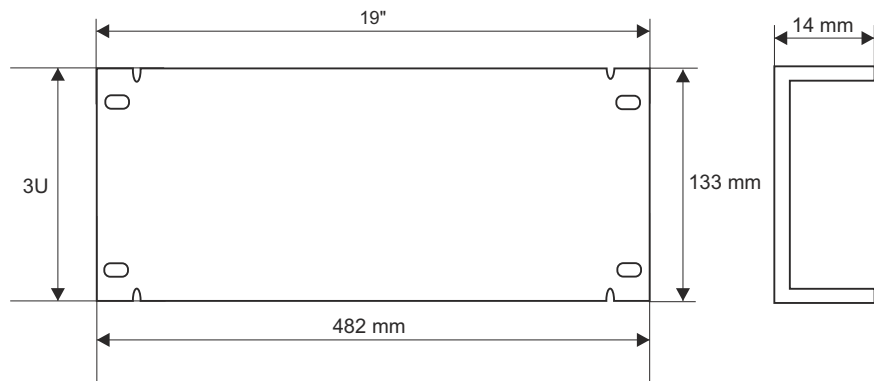


CODE: RAPZ3 v1.0/I
 NAME: Blanking panel 3U

EN*



INTENDED USE

The blanking panel 3U is intended for covering empty spaces between devices mounted inside the cabinet.

SPECIFICATIONS

| | |
|-----------------------------|--|
| Mounting dimensions: | W=19" H=3U |
| External dimensions: | W=482, H=133, D=14 [mm, +/-2] |
| Net/gross weight: | 0,70 / 0,75 [kg] |
| Materials: | 1,2 mm cold-rolled steel (SPCC), RAL 9004 |
| Use: | inside |
| Notes: | - two-point fixing to the front RACK rails - 4 M6 screws + cage nuts included |