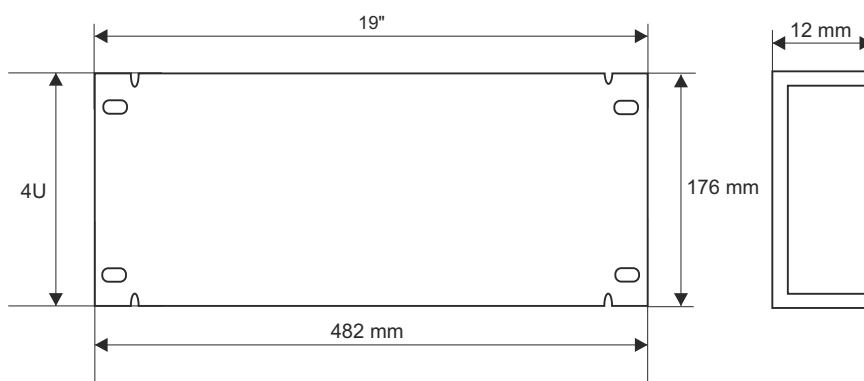


CODE: RAPZ4 v1.0/II  
 NAME: Blanking panel 4U

EN\*



### INTENDED USE

The blanking panel 4U is intended for covering empty spaces between devices mounted inside the cabinet.

### SPECIFICATIONS

<b>Mounting dimensions:</b>	W=19" H=4U
<b>External dimensions:</b>	W=482, H=176, D=12 [mm, +/-2]
<b>Net/gross weight:</b>	0,98 / 1,1 [kg]
<b>Materials:</b>	1,2 mm cold-rolled steel (SPCC), RAL 9004
<b>Use:</b>	inside
<b>Notes:</b>	- two-point fixing to the front RACK rails - 4 M6 screws + cage nuts included