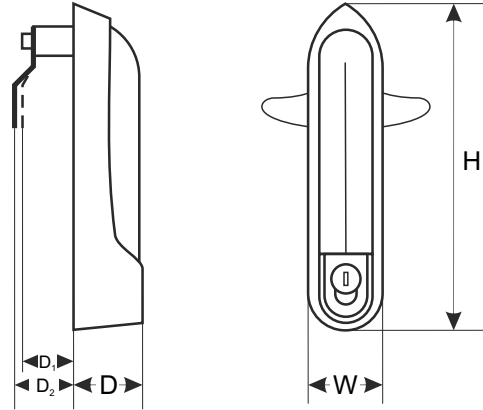


EN

CODE **RAZ-S** v1.1/II

NAME: **Universal lock (intended for front and rear door of RACK cabinets, type: RS, ZRS)**



**INTENDED USE**

Application: The RAZ-S universal lock is designed for mounting in the front and rear door of the RACK cabinets of the RS and ZRS types.

**SPECIFICATIONS**

<b>Dimensions:</b>	W= 35, H=200, D=35, D <sub>1</sub> =26, D <sub>2</sub> =32 [mm, +/-2]
<b>Net/gross weight:</b>	0,42 [kg]
<b>Use:</b>	inside
<b>Notes:</b>	two keys included