



# WELL TRIMED APPEARANCE

INCORPORATED WITH HIGH-FIDELITY TECHNOLOGY

# PASSIVE INFRARED DETECTOR

MODEL: IR1110EXA



AN ALIEN SPACER AESTHETICALLY LANDED !

- **Mirror Optics**  
Achieves the high detection ability than Fresnel Lens and offers the stable detection feature in many years.  
Long detection range with 14 m and wide coverage area with 84 °
- **Sensitivity adjustment**  
Enable to chose the sensitivity of detector to match to its environment.
- **Self-diagnostic**  
When Detection circuit has trouble, it activates Alarm LED and Alarm signal.
- **ATC**  
Automatic Temperature Compensation for temperature changes.

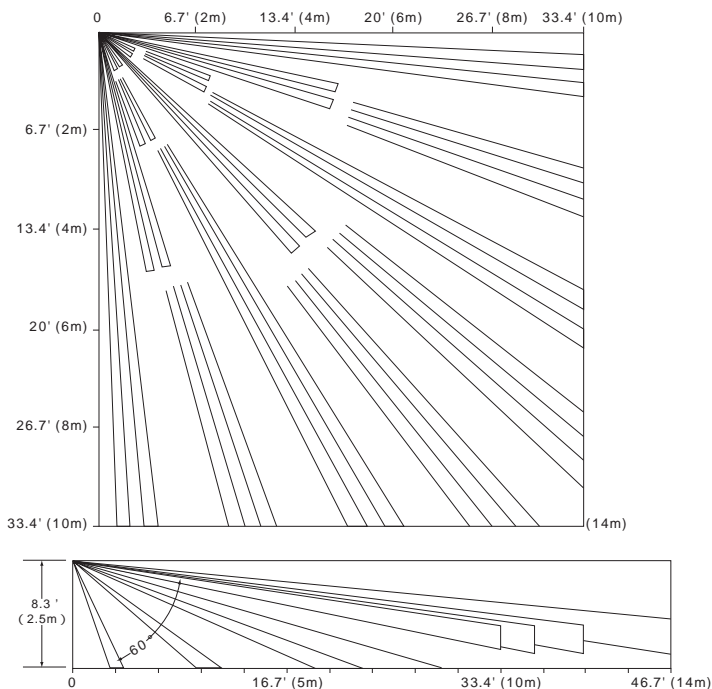
# PASSIVE INFRARED DETECTOR MODEL: IR1110EXA

## SPECIFICATIONS

Model	IR1110EXA
Power Input	9 - 28 VDC
Current Draw	Max 25mA
Operating Temperature	-20 ~ +50
Alarm Contact	Type : Form A or B selectable, Semiconductor Holding Time : 3 Sec Contact Rating : 0.1A / 30VDC
Tamper	Type : Form B Contact Rating : 0.1A / 30VDC
Detection Method	Passive Infrared
Optics	Mirror
Sensitivity	60/80/100/120% selectable
Pulse counts	1/2/3/4 selectable
Illuminating LED	Lights when alarmed Flickers when powered Flickers when the detection circuit has trouble
Detecting Coverage	Longest : 14 m at height 2.5 m Upper fingers : 16 Middle fingers : 10 Lower fingers : 4
Mirror Angle Adjusting	30 ° vertically
Weight	190g
Mounting	Ceiling

The specifications are subject to be changed for improvement without a prior notice.

## COVERAGE PATTERNS

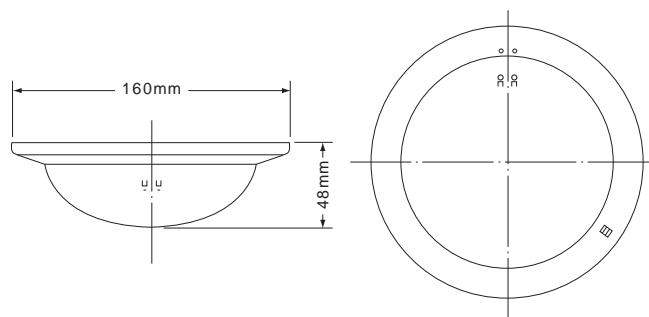


Maximum mount height : 16.7' (5m)

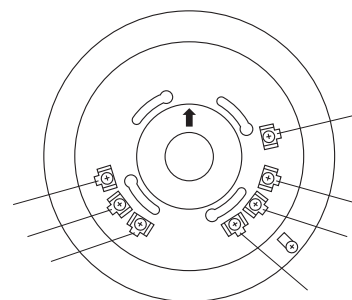
Coverage can vertically be adjusted downward in 30 °

Aim the coverage patterns at the direction in which the intruders cross the patterns.

## WIRING



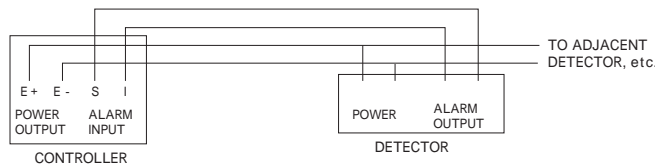
## DIMENSIONS



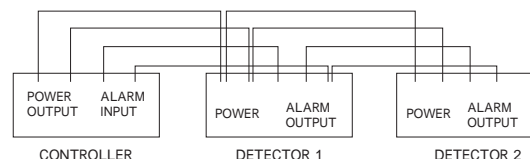
Terminals	Functions
Power Input	9-28VDC, Non-polarity
Alarm Output	Form 1b(N.C.),Form 1a(N.O.)selectable This contact opens when power is not supplied regardless of switch settings.
Tamper Output	Form 1b(N.C.),contacts open when body unit is detached from the base. This works regardless of the power supply conditions.
Spare	No connection inside

Two 10k resistors are attached to terminals initially, These parts achieve four state monitoring (normal, alarm-output, tamper-output and short-circuit) by two wires. But the exclusive panel is necessary for this system. Remove these parts for normal use.

### ONE UNIT ON A WIRING RUN



### TWO UNITS ON A WIRING RUN ( RELAY FORMAT : NC )



**ATSUMI ELECTRIC CO., LTD.**

4-2-2 Shin-Miyakoda, Hamamatsu, Shizuoka 431-2103 Japan  
Phone:+81-53-428-4116 Fax:+81-53-428-4119  
Website: <http://www.atsumielectric.com>